

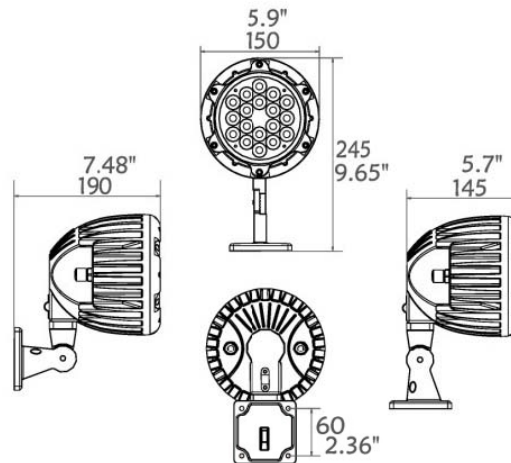
Illumipod 18 IP Optic 30 RGB  
Item Number: 11018004

ILUMINARC®

## SPECIFICATION



- 1, 3, 4, or 7 channel DMX-512 LED wash light
- Five distinct dimming curves
- IP67 with 316 stainless steel hardware
- High power 1 W (350 mA) LEDs
- Adjustable base
- Gore valve



### Physical

Length: 5.7 in (145 mm)  
Width: 5.9 in (150 mm)  
Height: 9.7 in (245 mm)  
Weight: 6 lbs (2.6 kg)

### Optics

Light source: 18 x 1 W 350 mA (6 Red, 6 Green, 6 Blue) LEDs  
Minimum LED lifetime: 50,000 hrs based on manufacturer's specifications

*JOB INFORMATION* Type: \_\_\_\_\_

Job Name: \_\_\_\_\_

Cat. Number: \_\_\_\_\_

Notes:

5200 NW 108<sup>th</sup> Ave Sunrise FL, 33351  
877-932-3680  
WWW.ILUMINARC.COM

# Ilumipod 18 IP Optic 30 RGB

Item Number: 11018004

ILUMINARC®

<b>Construction</b>	Color: UV resistant gray powder coat Housing: Cast aluminum with integrated cooling enhancement Lens cover: Impact resistant glass Protection rating: IP67
<b>Control</b>	Operating modes: Determined by personality chosen on the Ilumicode Control protocol: USITT DMX 512 Addresser: Ilumicode (item# 44444001)
<b>Installation</b>	Orientation: Any Minimum distance to illuminated surface: 4 in (92 mm)
<b>Connections</b>	Power cable length: 118 in (3,000 mm) Power cable entry: IP67 stainless steel gland nut Data cable length: 118 in (3,000 mm) Data cable entry: IP67 stainless steel gland nut
<b>Electrical</b>	AC power: 100 ~ 240 V, 50/60 Hz Power supply: Internal, auto-ranging, multi-voltage
<b>Power and current</b>	120 V, 60 Hz: 30 W, .4 A operating, .8 A inrush 230 V, 50 Hz: 30 W, .4 A operating, .6 A inrush
<b>Thermal</b>	Cooling: Convection via integrated cooling enhancement Maximum ambient temperature (Ta max): 40° C (104° F)

## Approvals



<b>Included items</b>	ILUMIPOD 18 IP OPTIC RGB Warranty Card User Manual
-----------------------	--

Specification subject to change without notice

*JOB INFORMATION* Type: \_\_\_\_\_

Job Name: \_\_\_\_\_

Cat. Number: \_\_\_\_\_

Notes:

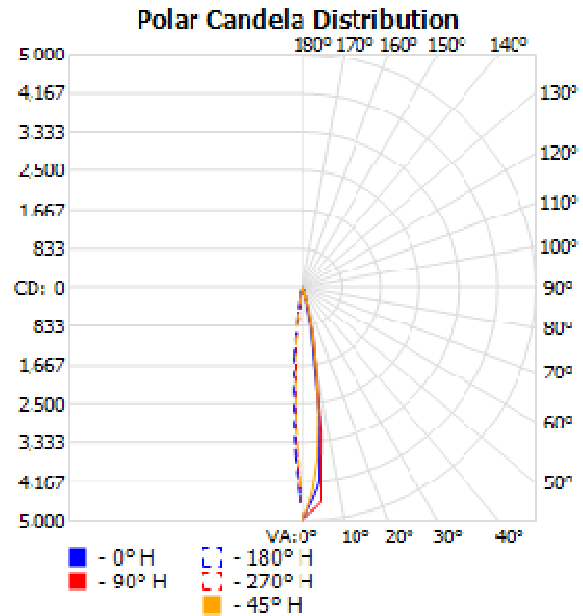
5200 NW 108<sup>th</sup> Ave Sunrise FL, 33351  
877-932-3680  
WWW.ILUMINARC.COM

# Illumipod 18 IP Optic 30 RGB

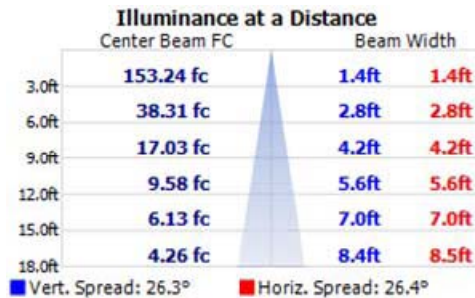
Item Number: 11018004

ILUMINARC®

Filename: Illumipod 18IP Optic 15RGB-RGB\_IESNA2002  
 Manufacturer: ILUMINARC  
 Luminaire: ILLUMIPOD 18IP OPTIC RGB 15 DEGREE  
 Luminaire Cat: 11018001  
 Lamp: 6 RED, 6 GREEN, 6 BLUE  
 Lamp Output: 1 lamp(s), rated Lumens/lamp: 690  
 Max Candela: 4,971.8 at Horizontal: 0, Vertical: 0  
 Input Wattage: 24.6  
 Luminous Opening: Point  
 Test: 2009430RGB  
 Test Lab: Illuminarc R&D Optics Laboratory  
 Photometry : Type B  
 CIE Class: Direct  
 Cutoff Class: Full Cutoff



Flood Summary				
	Efficiency	Lumens	Horizontal Spread	Vertical Spread
Field (10%):	39.7%	273.8	25.6	26.8
Beam (50%):	17.6%	121.3	12.5	12.7
Total:	57.2%	394.6		



Photometrics Pro 1.3.2 copyright 2003-2008 by jSolutions, Inc.  
 Reported data calculated from manufacturer's data file, based on IES recommended methods.

5200 NW 108<sup>th</sup> Ave Sunrise FL, 33351  
 877-932-3680  
 WWW.ILUMINARC.COM

*JOB INFORMATION* Type: \_\_\_\_\_

Job Name: \_\_\_\_\_

Cat. Number: \_\_\_\_\_

Notes: