

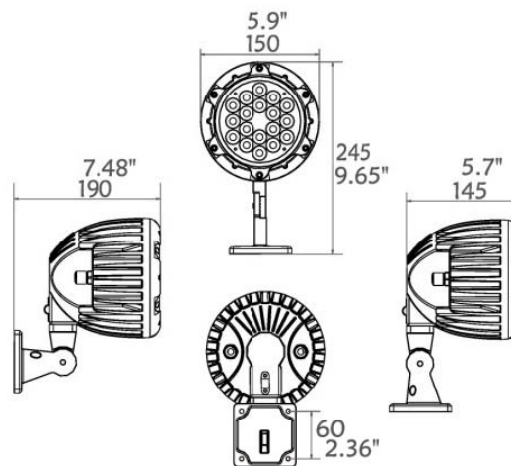
Illumipod 18 IP Optic 30 VW
Item Number: 11018010

ILUMINARC®

SPECIFICATION



- 1, 3, 4, or 7 channel DMX-512 LED wash light
- Variable white (2,800 K ~ 7,000 K) with SpectraWhite technology
- Five distinct dimming curves
- IP67 with 316 stainless steel hardware
- High power 1 W (350 mA) LEDs
- Adjustable base
- Gore valve



Physical

Length: 5.7 in (145 mm)
Width: 5.9 in (150 mm)
Height: 9.7 in (245 mm)
Weight: 6 lbs (2.6 kg)

Optics

Light source: 18 x 1 W 350 mA (6 cool white, 12 warm white) LEDs
Minimum LED lifetime: 50,000 hrs based on manufacturer's specifications

5200 NW 108th Ave Sunrise FL, 33351
877-932-3680
WWW.ILUMINARC.COM

JOB INFORMATION Type: _____

Job Name: _____


Cat. Number: _____

Notes:

Ilumipod 18 IP Optic 30 VW

Item Number: 11018010

ILUMINARC®

Construction	Color: UV resistant gray powder coat Housing: Cast aluminum with integrated cooling enhancement Lens cover: Impact resistant glass Protection rating: IP67
Control	Operating modes: Determined by personality chosen on the Ilumicode Control protocol: USITT DMX 512 Addresser: Ilumicode (item# 44444001)
Installation	Orientation: Any Minimum distance to illuminated surface: 4 in (92 mm)
Connections	Power cable length: 118 in (3,000 mm) Power cable entry: IP67 stainless steel gland nut Data cable length: 118 in (3,000 mm) Data cable entry: IP67 stainless steel gland nut
Electrical	AC power: 100 ~ 240 V, 50/60 Hz Power supply: Internal, auto-ranging, multi-voltage
Power and current	120 V, 60 Hz: 30 W, .4 A operating, .8 A inrush 230 V, 50 Hz: 30 W, .4 A operating, .6 A inrush
Thermal	Cooling: Convection via integrated cooling enhancement Maximum ambient temperature (Ta max): 40° C (104° F)
Approvals	 CONFORMS TO UL STD. 1573 CERTIFIED TO CSA STD. C22.2 No. 106 3144482
Included items	ILUMIPOD 18 IP OPTIC VW Warranty Card User Manual

Specification subject to change without notice

5200 NW 108th Ave Sunrise FL, 33351
877-932-3680
WWW.ILUMINARC.COM

JOB INFORMATION Type: _____

Job Name: _____

Cat. Number: _____

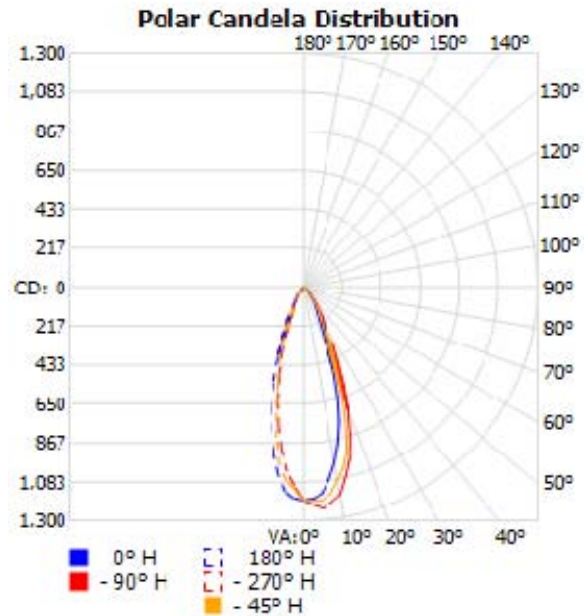
Notes:

Iluminod 18 IP Optic 30 VW

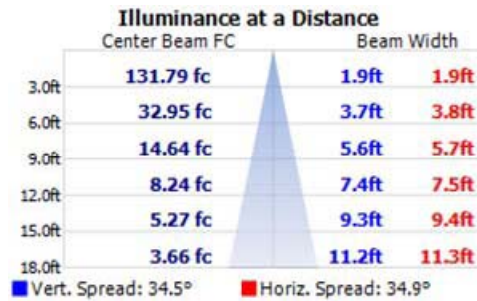
Item Number: 11018010

ILUMINARC®

Filename: Iluminod 18 IP Optic 30 VW 100% ALL
 Manufacturer: ILUMINARC
 Luminaire: Iluminod 18 IP Optic 30 VW
 Lamp: 12 Warm White, 6 Cool White
 Lamp Output: 1 lamp(s), rated Lumens/lamp: 1380
 Max Candela: 1,237.1 at Horizontal: 90, Vertical: 5
 Input Wattage: 26.9
 Luminous Opening: Point
 Test: 2009 ALL
 Test Lab: Iluminarc R & D Optics Laboratory
 Photometry : Type B
 CIE Class: Direct
 Cutoff Class: Full Cutoff
 Filename: Iluminod 18 IP Optic 30 VW 100% ALL



Flood Summary				
	Efficiency	Lumens	Horizontal Spread	Vertical Spread
Field (10%):	31.8%	438.4	61.8	61.5
Beam (50%):	18.6%	257.1	34.9	34.5
Total:	36.6%	505.3		



Photometrics Pro 1.3.2 copyright 2003-2008 by jSolutions, Inc.
 Reported data calculated from manufacturer's data file, based on IES recommended methods.

5200 NW 108th Ave Sunrise FL, 33351
 877-932-3680
 WWW.ILUMINARC.COM

JOB INFORMATION Type: _____

Job Name: _____

Cat. Number: _____

Notes: