

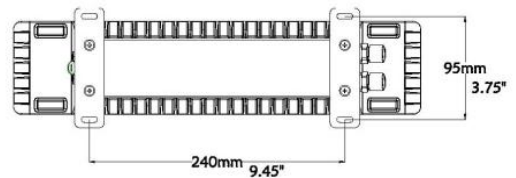
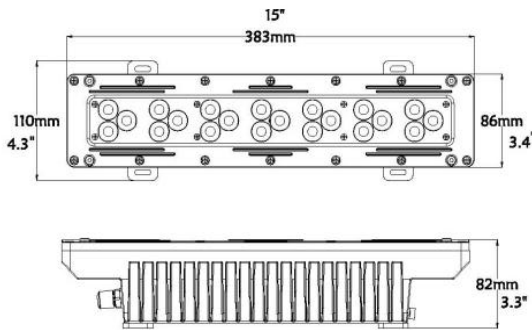
Illumiline 21 IP Optic 15 VW
Item Number: 12021005

ILUMINARC®

SPECIFICATION



- 1, 2, or 4, channel DMX-512 LED wash light
- Variable white (2,800 K ~ 7,000 K) with SpectraWhite™ technology
- Five distinct dimming curves
- IP67 with 316 stainless steel hardware
- High power 1 W (350 mA) LEDs
- Gore valve



Physical

Length: 15 in (383 mm)
Width: 4.3 in (110 mm)
Height: 3.3 in (82 mm)
Weight: 6.6 lbs (3 kg)

Optics

Light source: 21 x 1 W 350 mA (7 cool white, 14 warm white) LEDs
Minimum LED lifetime: 50,000 hrs based on manufacturer's specifications

5200 NW 108th Ave Sunrise FL, 33351
877-932-3680
WWW.ILUMINARC.COM

JOB INFORMATION Type: _____


Job Name: _____

Cat. Number: _____

Notes:

Ilumiline 21 IP Optic 15 VW
Item Number: 12021005

ILUMINARC®

Construction	Color: UV resistant gray powder coat Housing: Cast aluminum with integrated cooling enhancement Lens cover: Impact resistant glass Protection rating: IP67
Control	Operating modes: Determined by personality chosen on the Ilumicode Control protocol: USITT DMX 512 Addresser: Ilumicode (item# 44444001)
Installation	Orientation: Any Minimum distance to illuminated surface: 4 in (92 mm)
Connections	Power cable length: 118 in (3,000 mm) Power cable entry: IP67 stainless steel gland nut Data cable length: 118 in (3,000 mm) Data cable entry: IP67 stainless steel gland nut
Electrical	AC power: 100 ~ 240 V, 50/60 Hz Power supply: Internal, auto-ranging, multi-voltage
Power and current	120 V, 60 Hz: 30 W, .5 A operating, .3 A inrush 230 V, 50 Hz: 28 W, .2 A operating, .3 A inrush
Thermal	Cooling: Convection via integrated cooling enhancement Maximum ambient temperature (Ta max): 40° C (104° F)
Approvals	 <p>CONFORMS TO UL STD. 1573 CERTIFIED TO CSA STD. C22.2 No. 166 3144482</p>
Included items	ILUMILINE 21 IP OPTIC VW Warranty Card User Manual

Specification subject to change without notice

5200 NW 108th Ave Sunrise FL, 33351
877-932-3680
WWW.ILUMINARC.COM

JOB INFORMATION Type: _____

Job Name: _____

Cat. Number: _____

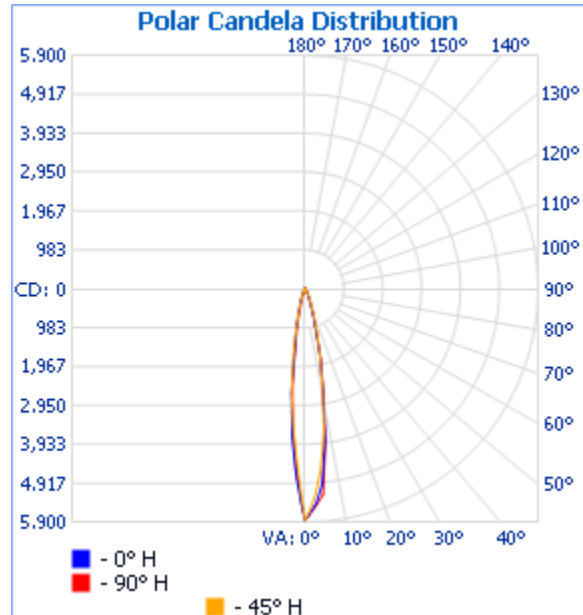
Notes:

Ilumiline 21 IP Optic 15 VW

Item Number: 12021005

ILUMINARC®

Filename: Ilumiline 21 IP Optic 15 VW 100% ALL
 Manufacturer: ILUMINARC
 Luminaire: Ilumiline 21 IP Optic 15VW
 Lamp: 14 Warm White, 7 Cool White
 Lamp Output: 1 lamp(s), rated Lumens/lamp: 1400
 Max Candela: 5,853.3 at Horizontal: 0°, Vertical: 0°
 Input Wattage: 29.1
 Luminous Opening: Point
 Test: 2009 ALL
 Test Lab: Iluminarc R & D Optics Laboratory
 Photometry : Type B
 CIE Class: Direct
 Cutoff Class: Full Cutoff
 Filename: Ilumiline 21 IP Optic 15 VW 100% ALL



	Efficiency	Lumens	Horizontal Spread	Vertical Spread
Field (10%):	36.5%	511.6	32.8	33.6
Beam (50%):	15.2%	213.4	15.9	16.2
Total:	49.5%	693.0		

Distance	Illuminance at a Distance	
	Center Beam FC	Beam Width
3.0ft	650.37 fc	0.9ft x 0.8ft
6.0ft	162.59 fc	1.7ft x 1.7ft
9.0ft	72.26 fc	2.6ft x 2.5ft
12.0ft	40.65 fc	3.4ft x 3.3ft
15.0ft	26.01 fc	4.3ft x 4.2ft
18.0ft	18.07 fc	5.1ft x 5.0ft

■ Vert. Spread: 16.2° ■ Horiz. Spread: 15.9°

Photometrics Pro 1.3.2 copyright 2003-2008 by jSolutions, Inc.
 Reported data calculated from manufacturer's data file, based on IES recommended methods.

5200 NW 108th Ave Sunrise FL, 33351
 877-932-3680
 WWW.ILUMINARC.COM

JOB INFORMATION Type: _____

Job Name: _____

Cat. Number: _____

Notes: