

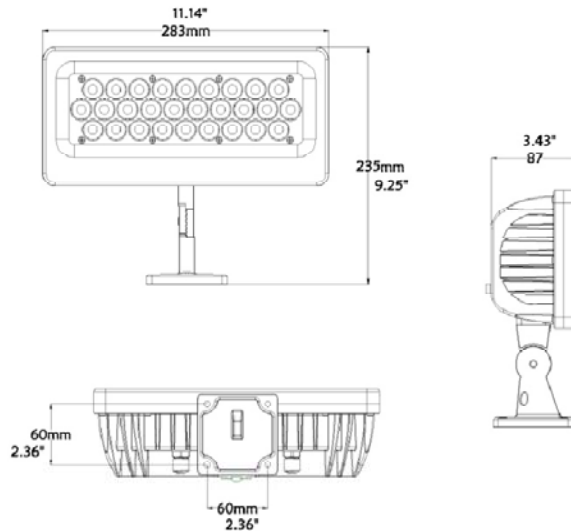
Illumipanel 28 IP Optic 30 RGB
Item Number: 13028001

ILUMINARC®

SPECIFICATION



- 1, 3, 4, or 7 channel DMX-512 LED wash light
- Five distinct dimming curves
- IP67 with 316 stainless steel hardware
- High power 1 W (350 mA) LEDs
- Adjustable base
- Gore valve



Physical

Length: 11.14 in (283 mm)
Width: 3.4 in (87 mm)
Height: 9.3 in (235 mm)
Weight: 6.5 lbs (3 kg)

Optics

Light source: 28 x 1 W 350 mA (10 Red, 9 Green, 9 Blue) LEDs
Minimum LED lifetime: 50,000 hrs based on manufacturer's specifications

5200 NW 108th Ave Sunrise FL, 33351
877-932-3680
WWW.ILUMINARC.COM

JOB INFORMATION Type: _____

Job Name: _____

Cat. Number: _____

Notes:

Ilumipanel 28 IP Optic 30 RGB

Item Number: 13028001

ILUMINARC®

Construction	Color: UV resistant gray powder coat Housing: Cast aluminum with integrated cooling enhancement Lens cover: Impact resistant glass Protection rating: IP67
Control	Operating modes: Determined by personality chosen on the Ilumicode Control protocol: USITT DMX 512 Addresser: Ilumicode (item# 44444001)
Installation	Orientation: Any Minimum distance to illuminated surface: 4 in (92 mm)
Connections	Power cable length: 118 in (3,000 mm) Power cable entry: IP67 stainless steel gland nut Data cable length: 118 in (3,000 mm) Data cable entry: IP67 stainless steel gland nut
Electrical	AC power: 100 ~ 240 V, 50/60 Hz Power supply: Internal, auto-ranging, multi-voltage
Power and current	120 V, 60 Hz: 37.8 W, .5 A operating, .3 A inrush 230 V, 50 Hz: 36 W, .4 A operating, .4 A inrush
Thermal	Cooling: Convection via integrated cooling enhancement Maximum ambient temperature (Ta max): 40° C (104° F)

Approvals



Included items	Ilumipanel 28 IP OPTIC RGB Warranty Card User Manual
-----------------------	--

Specification subject to change without notice

5200 NW 108th Ave Sunrise FL, 33351
877-932-3680
WWW.ILUMINARC.COM

JOB INFORMATION Type: _____

Job Name: _____

Cat. Number: _____

Notes:

Iluminarc 28 IP Optic 30 RGB

Item Number: 13028001

ILUMINARC®

Filename: Iluminarc 28IP Optic 30RGB-
RGB_IESNA2002

Manufacturer: ILUMINARC

Luminaire: ILUMIPANEL 28IP OPTIC RGB 30 DEGREE

Luminaire Cat: 13028001

Lamp: 10 RED, 9 GREEN, 9 BLUE

Lamp Output: 1 lamp(s), rated Lumens/lamp: 1100

Max Candela: 2,460.7 at Horizontal: 0, Vertical: 0

Input Wattage: 34

Luminous Opening: Point

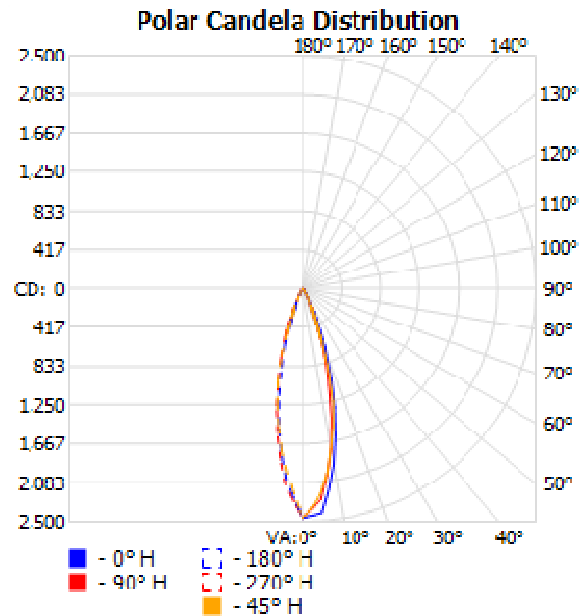
Test: 2009430RGB

Test Lab: Iluminarc R&D Optics Laboratory

Photometry : Type B

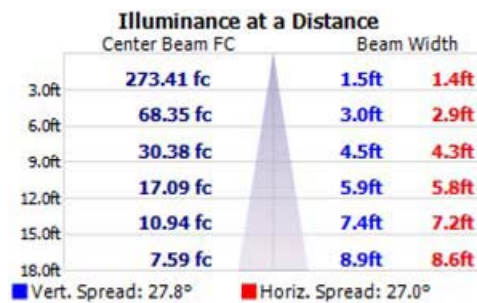
CIE Class: Direct

Cutoff Class: Full Cutoff



Flood Summary

	Efficiency	Lumens	Horizontal Spread	Vertical Spread
Field (10%):	53.2%	585.0	53.1	52.2
Beam (50%):	28.1%	309.0	27	27.8
Total:	65.4%	719.3		



Photometrics Pro 1.3.2 copyright 2003-2008 by jSolutions, Inc.

Reported data calculated from manufacturer's data file, based on IES recommended methods.

5200 NW 108th Ave Sunrise FL, 33351
877-932-3680
WWW.ILUMINARC.COM

JOB INFORMATION Type: _____

Job Name: _____

Cat. Number: _____

Notes: