

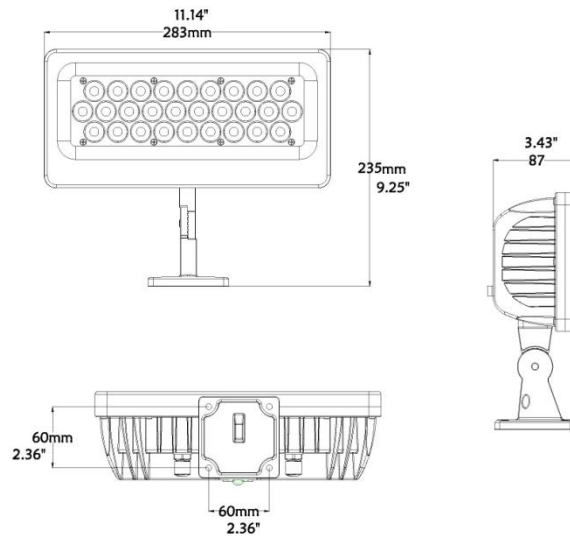
Illumipanel 28 IP Optic 15 WW
Item Number: 13028004

ILUMINARC®

SPECIFICATION



- 1, 2, or 4, channel DMX-512 LED wash light
- Variable white (2,800 K ~ 7,000 K) with SpectraWhite™ technology
- Five distinct dimming curves
- IP67 with 316 stainless steel hardware
- High power 1 W (350 mA) LEDs
- Gore valve



Physical

Length: 11.14 in (283 mm)
Width: 3.4 in (87 mm)
Height: 9.3 in (235 mm)
Weight: 6.5 lbs (3 kg)

Optics

Light source: 28 x 1 W 350 mA (10 cool white, 18 warm white) LEDs
Minimum LED lifetime: 50,000 hrs based on manufacturer's specifications

5200 NW 108th Ave Sunrise FL, 33351
877-932-3680
WWW.ILUMINARC.COM

JOB INFORMATION Type: _____

Job Name: _____

Cat. Number: _____

Notes:

Illumipanel 28 IP Optic 15 VW
Item Number: 13028004

ILUMINARC®

Construction Color: UV resistant gray powder coat
 Housing: Cast aluminum with integrated cooling enhancement
 Lens cover: Impact resistant glass
 Protection rating: IP67

Control Operating modes: Determined by personality chosen on the Ilumicode

 Control protocol: USITT DMX 512
 Addresser: Ilumicode (item# 44444001)

Installation Orientation: Any
 Minimum distance to illuminated surface: 4 in (92 mm)

Connections Power cable length: 118 in (3,000 mm)
 Power cable entry: IP67 stainless steel gland nut
 Data cable length: 118 in (3,000 mm)
 Data cable entry: IP67 stainless steel gland nut

Electrical AC power: 100 ~ 240 V, 50/60 Hz
 Power supply: Internal, auto-ranging, multi-voltage

Power and current 120 V, 60 Hz: 37.8 W, .5 A operating, .3 A inrush
 230 V, 50 Hz: 36 W, .4 A operating, .4 A inrush

Thermal Cooling: Convection via integrated cooling enhancement
 Maximum ambient temperature (Ta max): 40° C (104° F)

Approvals



Included items Illumipanel 28 IP OPTIC VW
 Warranty Card
 User Manual

Specification subject to change without notice

5200 NW 108th Ave Sunrise FL, 33351
877-932-3680
WWW.ILUMINARC.COM

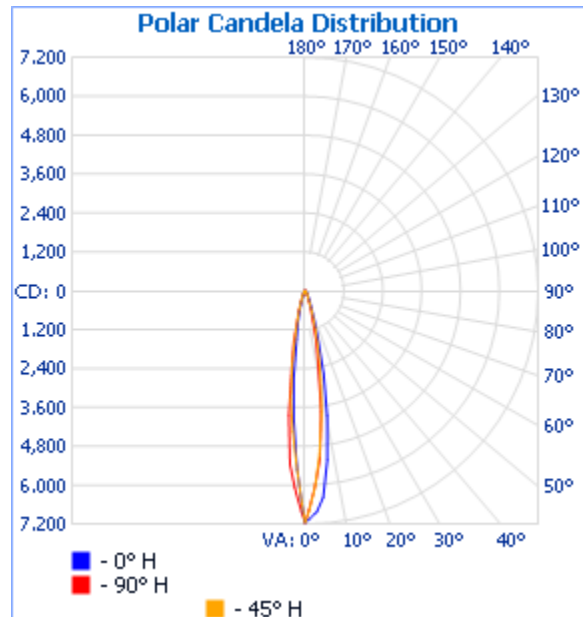
<p><u>JOB INFORMATION</u> Type: _____</p> <p>Job Name: _____</p> <p>Cat. Number: _____</p> <p>Notes:</p>

Ilumipanel 28 IP Optic 15 VW

Item Number: 13028004

ILUMINARC®

Filename: Ilumipanel 28 IP Optic 15 VW 100% ALL
 Manufacturer: ILUMINARC
 Luminaire: Ilumipanel 28 IP Optic 15 VW
 Lamp: 18 Warm White, 10 Cool White
 Lamp Output: 1 lamp(s), rated Lumens/lamp: 2060
 Max Candela: 7,159.7 at Horizontal: 0, Vertical: 0
 Input Wattage: 34.9
 Luminous Opening: Point
 Test: 2009 ALL
 Test Lab: Iluminarc R & D Optics Laboratory
 Photometry : Type B
 CIE Class: Direct
 Cutoff Class: Full Cutoff



Flood Summary				
	Efficiency	Lumens	Horizontal Spread	Vertical Spread
Field (10%):	30.7%	632.0	32.7	33.5
Beam (50%):	15%	308.6	15.8	16.4
Total:	42.6%	877.7		

	Illuminance at a Distance	
	Center Beam FC	Beam Width
3.0ft	795.52 fc	0.9ft 0.8ft
6.0ft	198.88 fc	1.7ft 1.7ft
9.0ft	88.39 fc	2.6ft 2.5ft
12.0ft	49.72 fc	3.5ft 3.3ft
15.0ft	31.82 fc	4.3ft 4.2ft
18.0ft	22.10 fc	5.2ft 5.0ft

■ Vert. Spread: 16.4° ■ Horiz. Spread: 15.8°

Photometrics Pro 1.3.2 copyright 2003-2008 by jSolutions, Inc.
 Reported data calculated from manufacturer's data file, based on IES recommended methods.

5200 NW 108th Ave Sunrise FL, 33351
 877-932-3680
 WWW.ILUMINARC.COM

JOB INFORMATION Type: _____

Job Name: _____

Cat. Number: _____

Notes: