

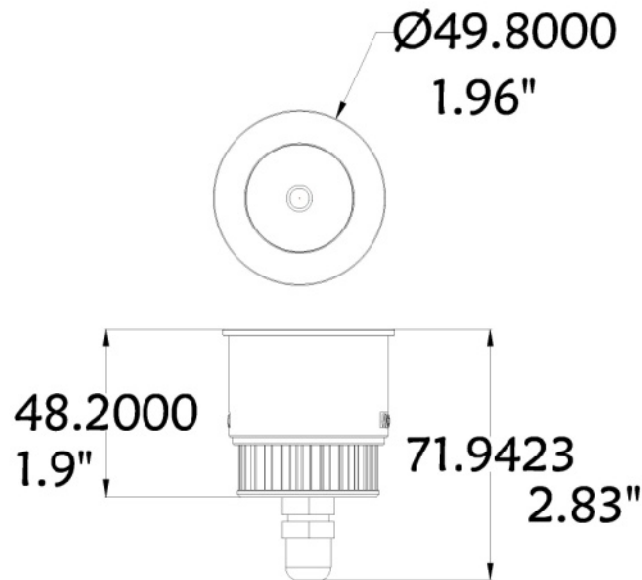
Illumipod LLogic™ Tri-1 Optic 25 RGB
Item Number: 21001001

ILUMINARC®

SPECIFICATION



- Compatible with LLogic™ system devices
- Light weight and durable construction
- Plenum rated cable
- High power 3 W (1,050 mA) LED
- Direct MR16 replacement



Physical

Length: 2.8 in (72 mm)
Diameter: 4 in (111 mm)
Height: 2.8 in (72 mm)
Weight: .4 lbs (.17 kg)

Optics

Light source: 1 x 3 W 1,050 mA (1 tri-color red, green, blue) LEDs
Minimum LED lifetime: 50,000 hrs based on manufacturers specifications

5200 NW 108th Ave. Sunrise FL, 33351
WWW.ILUMINARC.COM (954) 923-3680

JOB INFORMATION Type: _____

Job Name: _____


Cat. Number: _____

Notes:

Illumipod LQgic™ Tri-1 Optic 25 RGB

Item Number: 21001001

ILUMINARC®

Construction	Color: Silver Housing: Cast aluminum Protection rating: IP20
Control	Determined by software installed into LQgic™ driver that has been selected
Installation	Orientation: Any Minimum distance to illuminated surface: 4 in (92 mm)
Connections	Power and data cable entry: Belden 1585A plenum rated with RJ45 connector 79 in (2,000 mm)
Electrical	Power supply: LQgic™ driver
Input current	350 mA @ 48 V
Power consumption	7.4 W
Thermal	Cooling: Convection Maximum ambient temperature (Ta max): 40° C (104° F)
Approvals	 CONFORMS TO UL STD. 1973 CERTIFIED TO CSA STD. C22.2 No. 196 3144482
Included items	Illumipod LQgic™ Tri-1 Optic RGB Warranty Card User Manual
Accessories	Trim ring: Brushed aluminum (66666001) Trim ring: White (66666002)

Specification subject to change without notice

5200 NW 108th Ave. Sunrise FL, 33351
WWW.ILUMINARC.COM (954) 923-3680

JOB INFORMATION Type: _____

Job Name: _____

Cat. Number: _____

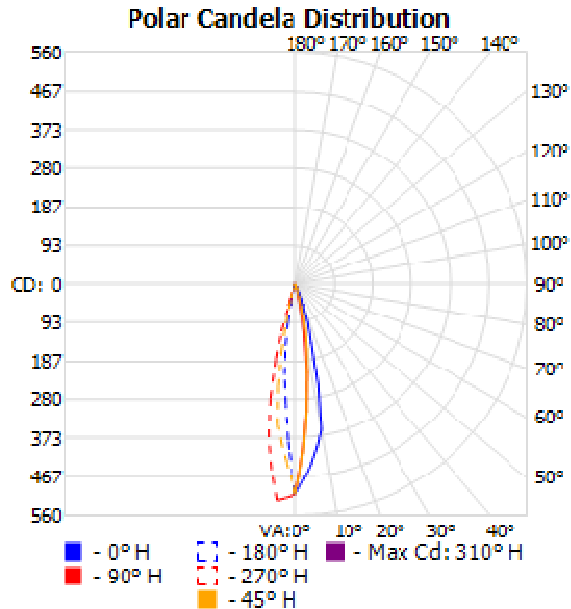
Notes:

Ilumipod LQgic™ Tri-1 Optic 25 RGB

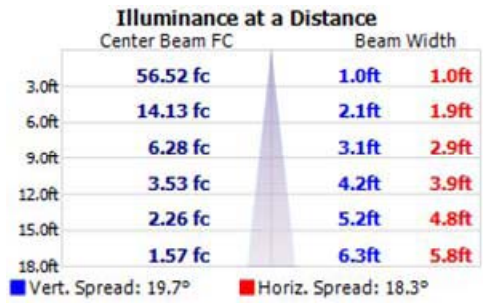
Item Number: 21001001

ILUMINARC®

Filename: Ilumipod Logic Tri-1 Optic 25 RGB-
RGB_IESNA2002
 Manufacturer: ILUMINARC
 Luminaire: ILUMIPOD LOGIC Tri-1 OPTIC RGB 25 DEGREE
 Luminaire Cat: 21001001
 Lamp: 1 RED,1 GREEN,1 BLUE
 Lamp Output: 1 lamp(s), rated Lumens/lamp: 115
 Max Candela: 553.9 at Horizontal: 310, Vertical: 7.5
 Input Wattage: 7.4
 Luminous Opening: Point
 Test: 2009430RGB
 Test Lab: Iluminarc R&D Optics Laboratory
 Photometry : Type B
 CIE Class: Direct
 Cutoff Class: Full Cutoff



Flood Summary				
	Efficiency	Lumens	Horizontal Spread	Vertical Spread
Field (10%):	54.5%	62.7	34.7	35.1
Beam (50%):	28.3%	32.6	18.3	19.7
Total:	64.7%	74.4		



Photometrics Pro 1.3.2 copyright 2003-2008 by jSolutions, Inc.
 Reported data calculated from manufacturer's data file, based on IES recommended methods.

5200 NW 108th Ave. Sunrise FL, 33351
 WWW.ILUMINARC.COM (954) 923-3680

JOB INFORMATION Type: _____

Job Name: _____

Cat. Number: _____

Notes: