

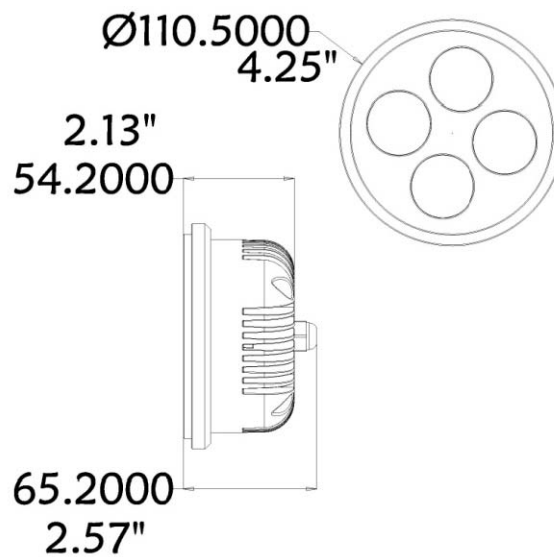
Illumipod LQgic™ Tri-4 Optic 25 RGB  
Item Number: 21004001

ILUMINARC®

## SPECIFICATION



- Compatible with LQgic™ system devices
- Light weight and durable construction
- Plenum rated cable
- High power 3 W (1,050 mA) LEDs



### Physical

Length: 2.6 in (65 mm)  
Diameter: 4 in (111 mm)  
Height: 2.6 in (65 mm)  
Weight: 1.4 lbs (.63 kg)

### Optics

Light source: 4 x 3 W 1,050 mA (4 tri-color red, green, blue) LEDs  
Minimum LED lifetime: 50,000 hrs based on manufacturers specifications

5200 NW 108<sup>th</sup> Ave. Sunrise FL, 33351  
WWW.ILUMINARC.COM (954) 923-3680

*JOB INFORMATION* Type: \_\_\_\_\_

Job Name: \_\_\_\_\_


Cat. Number: \_\_\_\_\_

Notes:

# Illumipod LQgic™ Tri-4 Optic 25 RGB

Item Number: 21004001

ILUMINARC®

|                          |   |
|--------------------------|---|
| <b>Construction</b>      | Color: Silver<br>Housing: Cast aluminum<br>Protection rating: IP20  |
| <b>Control</b>           | Determined by software installed into LQgic™ driver that has been selected  |
| <b>Installation</b>      | Orientation: Any<br>Minimum distance to illuminated surface: 4 in (92 mm)   |
| <b>Connections</b>       | Power and data cable entry: Belden 1585A plenum rated with RJ45 connector<br>79 in (2,000 mm)   |
| <b>Electrical</b>        | Power supply: LQgic™ driver   |
| <b>Input current</b>     | 350 mA @ 48 V   |
| <b>Power consumption</b> | 18.5 W  |
| <b>Thermal</b>           | Cooling: Convection<br>Maximum ambient temperature (Ta max): 40° C (104° F)   |
| <b>Approvals</b>         |  <p>CONFORMS TO<br/>UL STD. 1573<br/>CERTIFIED TO<br/>CSA STD. C22.2<br/>No. 196<br/>3144482</p> |
| <b>Included items</b>    | Illumipod LQgic™ Tri-4 Optic RGB<br>Warranty Card<br>User Manual  |
| <b>Accessories</b>       | Trim ring: White (77777002)   |

Specification subject to change without notice

5200 NW 108<sup>th</sup> Ave. Sunrise FL, 33351  
WWW.ILUMINARC.COM (954) 923-3680

JOB INFORMATION Type: \_\_\_\_\_

Job Name: \_\_\_\_\_

Cat. Number: \_\_\_\_\_

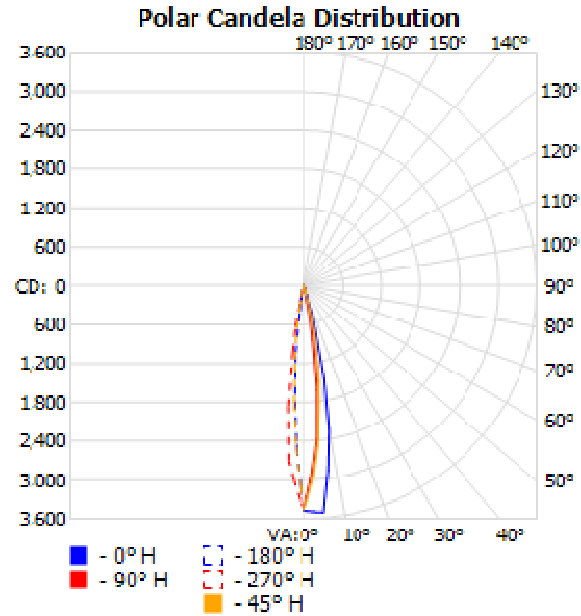
Notes:

# Ilumipod LΩgic™ Tri-4 Optic 25 RGB

Item Number: 21004001

ILUMINARC®

Filename: Ilumipod Logic Tri-4 Optic 25 RGB-  
RGB\_IESNA2002  
 Manufacturer: ILUMINARC  
 Luminaire: ILUMIPOD LOGIC Tri-4 OPTIC RGB 25 DEGREE  
 Luminaire Cat: 21004001  
 Lamp: 4 RED,4 GREEN,4 BLUE  
 Lamp Output: 1 lamp(s), rated Lumens/lamp: 460  
 Max Candela: 3,513.2 at Horizontal: 0, Vertical: 5  
 Input Wattage: 18.5  
 Luminous Opening: Point  
 Test: 2009430RGB  
 Test Lab: Iluminarc R&D Optics Laboratory  
 Photometry : Type B  
 CIE Class: Direct  
 Cutoff Class: Full Cutoff



| Flood Summary |            |        |                   |                 |
|---------------|------------|--------|-------------------|-----------------|
|               | Efficiency | Lumens | Horizontal Spread | Vertical Spread |
| Field (10%):  | 59.1%      | 271.9  | 29.1              | 29.3            |
| Beam (50%):   | 32.6%      | 149.8  | 15.6              | 16.4            |
| Total:        | 76.3%      | 350.8  |                   |                 |

|        | Illuminance at a Distance |             |
|--------|---------------------------|-------------|
|        | Center Beam FC            | Beam Width  |
| 3.0ft  | 385.43 fc                 | 0.9ft 0.8ft |
| 6.0ft  | 96.36 fc                  | 1.7ft 1.6ft |
| 9.0ft  | 42.83 fc                  | 2.6ft 2.5ft |
| 12.0ft | 24.09 fc                  | 3.5ft 3.3ft |
| 15.0ft | 15.42 fc                  | 4.3ft 4.1ft |
| 18.0ft | 10.71 fc                  | 5.2ft 4.9ft |

■ Vert. Spread: 16.4°    ■ Horiz. Spread: 15.6°

Photometrics Pro 1.3.2 copyright 2003-2008 by jSolutions, Inc.  
 Reported data calculated from manufacturer's data file, based on IES recommended methods.

5200 NW 108<sup>th</sup> Ave. Sunrise FL, 33351  
 WWW.ILUMINARC.COM (954) 923-3680

JOB INFORMATION Type: \_\_\_\_\_

Job Name: \_\_\_\_\_

Cat. Number: \_\_\_\_\_

Notes: \_\_\_\_\_