

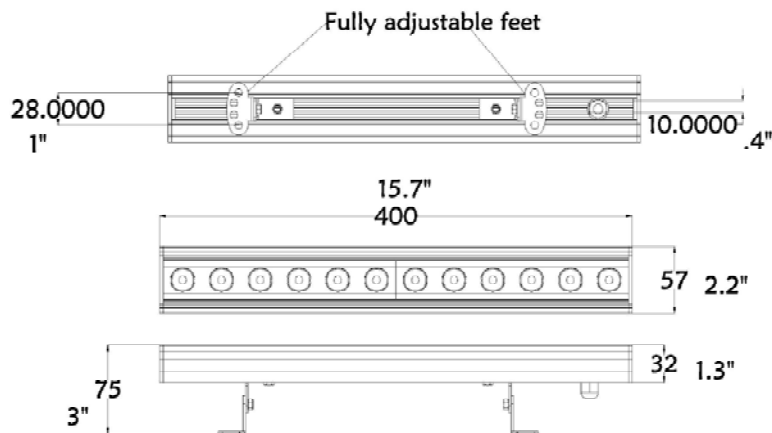
Illumiline LQgic™ 12 Optic 25x6 RGB  
 Item Number: 22012002

ILUMINARC®

## SPECIFICATION



- Compatible with LQgic™ system devices
- Light weight and durable construction
- Plenum rated cable
- High power 1 W (350 mA) LEDs



### Physical

Length: 15.8 in (400 mm)  
 Width: 2.2 in (57 mm)  
 Height: 3 in (75 mm)  
 Weight: 1.7 lbs (0.76 kg)

### Optics

Light source: 12 x 1 W 350 mA (4 Red, 4 Green, 4 Blue) LEDs  
 Minimum LED lifetime: 50,000 hrs based on manufacturer's specifications

*JOB INFORMATION* Type: \_\_\_\_\_

Job Name: \_\_\_\_\_

Cat. Number: \_\_\_\_\_

Notes:

5200 NW 108<sup>th</sup> Ave. Sunrise FL, 33351  
 WWW.ILUMINARC.COM (954) 923-3680

# Illumiline LQgic™ 12 Optic 25x6 RGB

Item Number: 22012002

ILUMINARC®

<b>Construction</b>	Color: Silver Housing: Extruded aluminum Lens cover: Frosted ABS Protection rating: IP20
<b>Control</b>	Determined by software installed into LQgic™ driver that has been selected
<b>Installation</b>	Orientation: Any Minimum distance to illuminated surface: 4 in (92 mm)
<b>Connections</b>	Power and data cable entry: Belden 1585A plenum rated with RJ45 connector 79 in (2,000 mm)
<b>Electrical</b>	Power supply: LQgic™ driver
<b>Input current</b>	350 mA @ 48 V
<b>Power consumption</b>	18.2 W
<b>Thermal</b>	Cooling: Convection Maximum ambient temperature (Ta max): 40° C (104° F)

## Approvals



<b>Included items</b>	Illumiline LQgic™ 12 Optic RGB Warranty Card User Manual
-----------------------	--

Specification subject to change without notice

*JOB INFORMATION* Type: \_\_\_\_\_

Job Name: \_\_\_\_\_

Cat. Number: \_\_\_\_\_

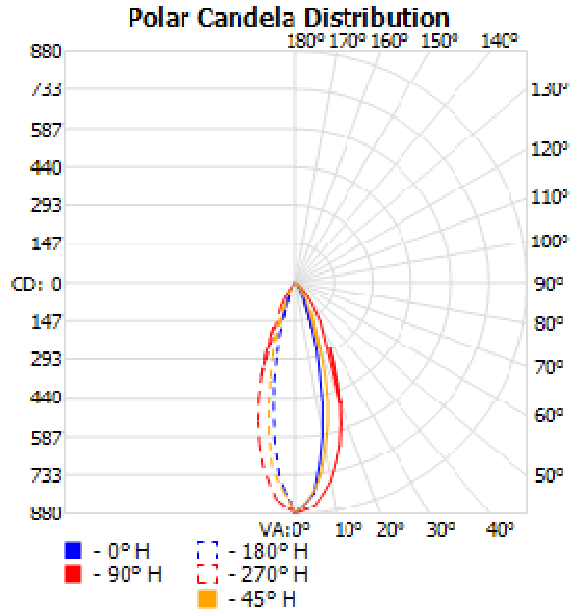
Notes:

# Ilumiline LLogic™ 12 Optic 25x6 RGB

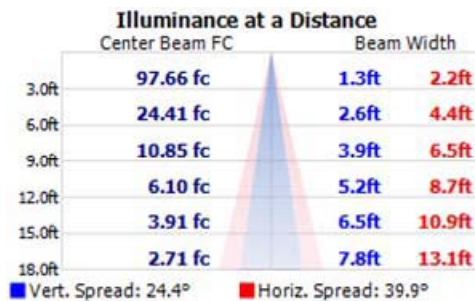
Item Number: 22012002

ILUMINARC®

Filename: Ilumiline Logic 12 Optic 25x6 RGB-G-  
RGB\_IESNA2002  
 Manufacturer: ILUMINARC  
 Luminaire: ILUMILINE LOGIC 12 OPTIC RGB 25x6 DEGREE  
 Luminaire Cat: 22012002  
 Lamp: 4 RED,4 GREEN,4 BLUE  
 Lamp Output: 1 lamp(s), rated Lumens/lamp: 460  
 Max Candela: 878.9 at Horizontal: 0, Vertical: 0  
 Input Wattage: 18.2  
 Luminous Opening: Point  
 Test: 2009430RGB  
 Test Lab: Iluminarc R&D Optics Laboratory  
 Photometry : Type B  
 CIE Class: Direct  
 Cutoff Class: Full Cutoff



Flood Summary				
	Efficiency	Lumens	Horizontal Spread	Vertical Spread
Field (10%):	60.3%	277.2	73	49.7
Beam (50%):	30.4%	139.9	39.9	24.4
Total:	72.1%	331.7		



Photometrics Pro 1.3.2 copyright 2003-2008 by jSolutions, Inc.  
 Reported data calculated from manufacturer's data file, based on IES recommended methods.

*JOB INFORMATION* Type: \_\_\_\_\_

Job Name: \_\_\_\_\_

Cat. Number: \_\_\_\_\_

Notes: