

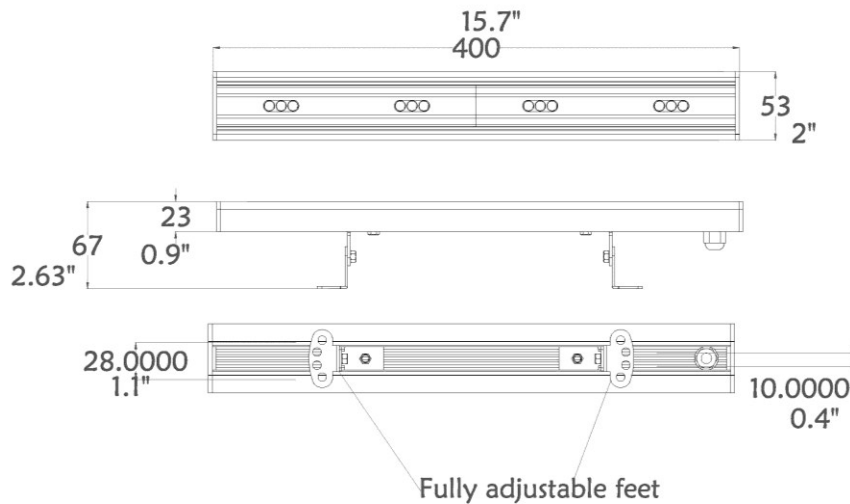
Illumiline LQgic™ 12 VW
Item Number: 22012004

ILUMINARC®

SPECIFICATION



- Compatible with LQgic™ system devices
- Light weight and durable construction
- Plenum rated cable
- High power 1 W (350 mA) LEDs



Physical

Length: 15.7 in (400 mm)
Width: 2 in (53 mm)
Height: 2.63 in (67 mm)
Weight: 1.5 lbs (0.67 kg)

Optics

Light source: 12 x 1 W 350 mA (8 warm white, 4 cool white) LEDs
Minimum LED lifetime: 50,000 hrs based on manufacturers specifications

5200 NW 108th Ave Sunrise FL, 33351
877-932-3680
WWW.ILUMINARC.COM

JOB INFORMATION Type: _____

Job Name: _____

Cat. Number: _____

Notes:

Illumiline LQgic™ 12 VW
Item Number: 22012004

ILUMINARC®

Construction	Color: Silver Housing: Extruded aluminum with integrated cooling enhancement Lens cover: Frosted ABS Protection rating: IP20
Control	Determined by software installed into LQgic™ driver that has been selected
Installation	Orientation: Any Minimum distance to illuminated surface: 4 in (92 mm)
Connections	Power and data cable entry: Belden 1585A plenum rated with RJ45 connector 79 in (2,000 mm)
Electrical	Power supply: LQgic™ driver
Input current	350 mA @ 48 V
Power consumption	26.6 W
Thermal	Cooling: Convection Maximum ambient temperature (Ta max): 40° C (104° F)

Approvals



Included items Illumiline LQgic™ 12 VW
Warranty Card
User Manual

Specification subject to change without notice

5200 NW 108th Ave Sunrise FL, 33351
877-932-3680
WWW.ILUMINARC.COM

JOB INFORMATION Type: _____

Job Name: _____

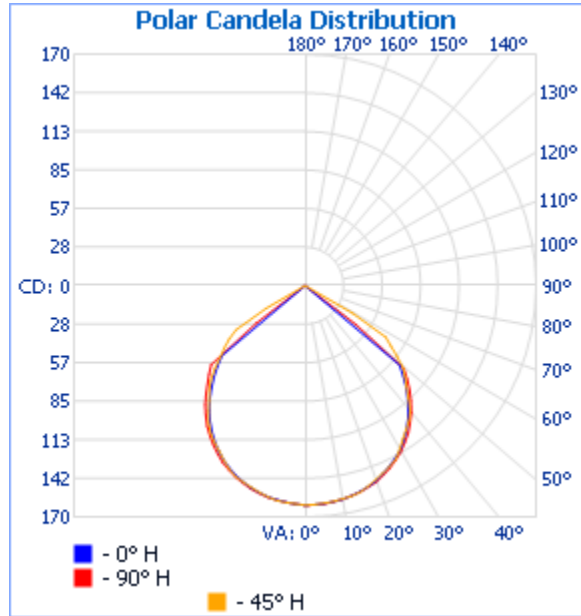
Cat. Number: _____

Notes:

Ilumiline LQgic™ 12 VW
Item Number: 22012004

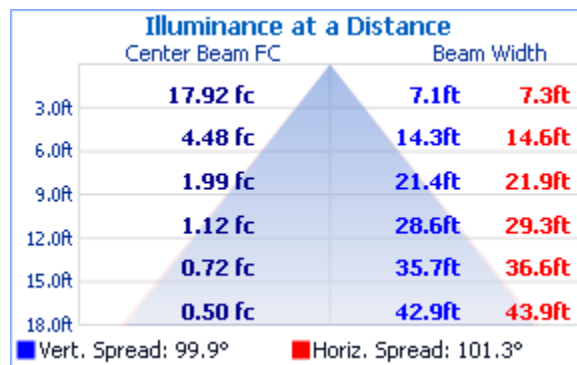
ILUMINARC®

Filename: Ilumiline Logic 12 VW 100% ALL
 Manufacturer: ILUMINARC
 Luminaire: ILUMILINE LOGIC 12 VW
 Luminaire Cat: 22012004
 Lamp: 8 warm white, 4 cool white
 Lamp Output: 1 lamp(s), rated Lumens/lamp: 460
 Max Candela: 99.2 at Horizontal: 90, Vertical: 10
 Input Wattage: 26.6
 Luminous Opening: Point
 Test: 2009430VW
 Test Lab: Iluminarc R&D Optics Laboratory
 Photometry : Type B
 CIE Class: Direct
 Cutoff Class: Full Cutoff



Flood Summary

	Efficiency	Lumens	Horizontal Spread	Vertical Spread
Field (10%):	37.2%	327.0	108.3	103.2
Beam (50%):	33.8%	297.3	101.3	99.9
Total:	37.2%	327.1		



Photometrics Pro 1.3.2 copyright 2003-2008 by jSolutions, Inc.
 Reported data calculated from manufacturer's data file, based on IES recommended methods.

JOB INFORMATION Type: _____

Job Name: _____

Cat. Number: _____

Notes: