

ILUMINARC®

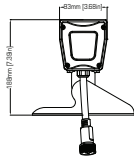
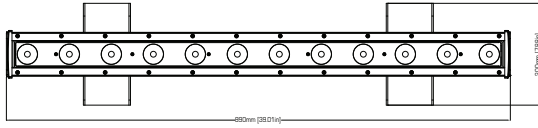
COLORIST LINE 12Qa

Item Number: 03610836

Client: _____

Project: _____

Date: _____ Type: _____



LIGHT SOURCE & OPTICAL SPECIFICATIONS

Light Source: 12 LEDs (quad-color RGBA) 15 W, (985 mA)
Light Source Lifespan: 50,000 hours based on LED manufacturer's specifications
Installed Optics: 15°
Beam Angle: 16°
Field Angle: 27°
Lumens: 1,811
Base Illuminance: 1,382 lux @ 5 m
Efficacy: 17.6 lm/W
Minimum Distance to Illuminated Surface: 4 in (92 mm)

CONSTRUCTION & PHYSICAL SPECIFICATIONS

Length: 4.2 in (108 mm)
Width: 3.9 in (99.0 mm)
Height: 7.4 in (188 mm)
Weight: 19.6 lb (8.9 kg)
Color: Off white
Ingress Protection Rating: IP65
Housing Material: Extruded aluminum
Lens Cover: Impact resistant glass
Installation Orientation: Fixture aperture vertical up +/- 170°

CONTROL SPECIFICATIONS

Control Protocol: USITT DMX-512a
Control Channels: 4, 6, 10, 48 or 53
Stand Alone Control: Yes
Data Connection: 6.6 ft (2 m) Waterproof Cable

ELECTRICAL SYSTEM SPECIFICATIONS

Input Voltage: Auto-ranging 100 to 240 VAC, 50/60 Hz
Power and Current:
112 W, .99 A @ 120 V
106 W, .49 A @ 230 V
Power Supply: Electronic internal
Dimmer: Electronic
Power Linking: 10 units @ 120 V, 18 units @ 208 V, 21 units @ 230 V
Power Connection: 6.6 ft (2 m) Waterproof cable, Edison plug to proprietary IP66 input power cord

THERMAL SPECIFICATIONS

Cooling: Convection
Startup Temperature Range: -4 °F to 104 °F (-20 to 40) °C
Operating Temperature Range: -20 °F to 110 °F (-29 to 43) °C

REGULATORY & VOLUNTARY QUALIFICATION

Certification Listings: MET, CE
Environment: Wet location, IP65, All indoor and limited outdoor permanent installations. Please refer to the User Manual and/or the Quick Reference Guide.
Warranty: 24 month manufacturer's limited warranty (for covered regions only)

Product
Web Page



WWW.ILUMINARC.COM - INFO@ILUMINARC.COM

Iluminarc reserves the right to make improvements to this product and its specifications at anytime without notice.

ILUMINARC.
5200 NW 108th Ave.
Sunrise, FL 33351
+1.954.923.3680

ILUMINARC®

COLORIST LINE 12Qa

Item Number: 03610836

Client: _____

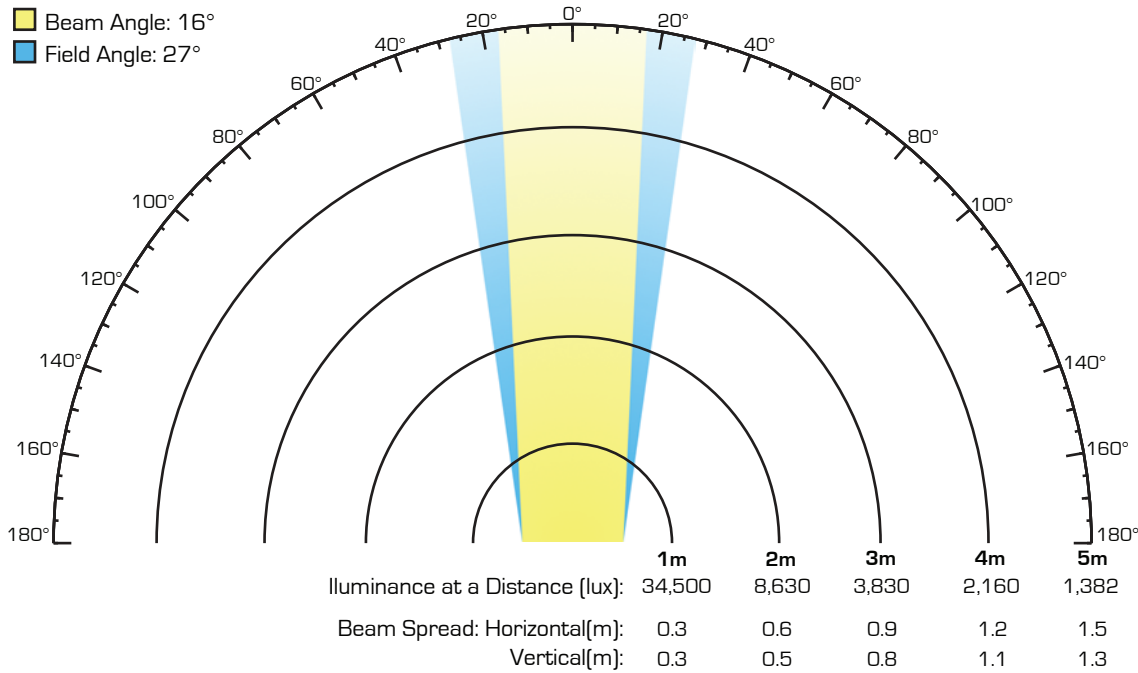
Project: _____

Date: _____ Type: _____

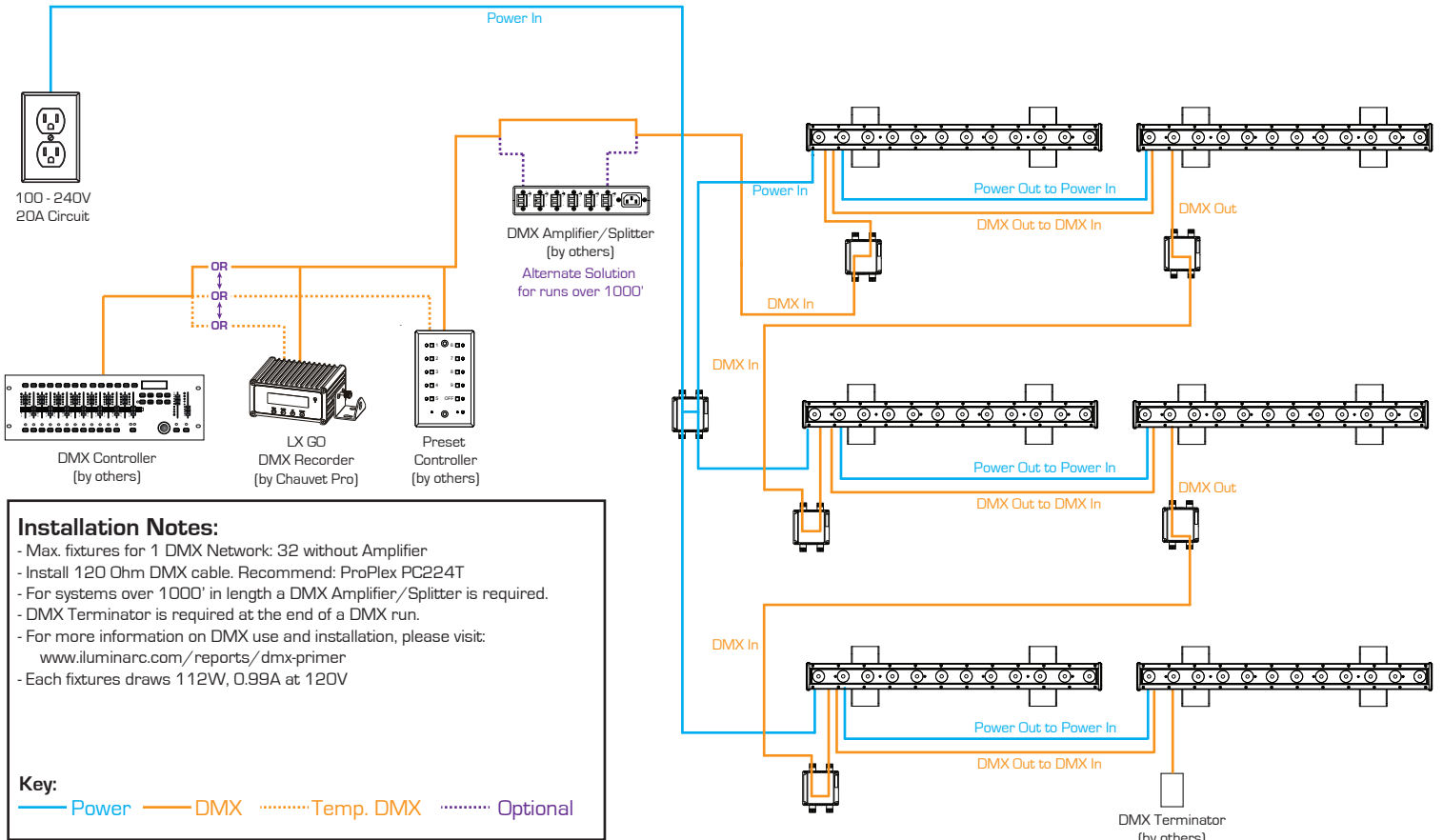
Colorist Line 12Qa

■ Beam Angle: 16°

■ Field Angle: 27°



Typical Installation



Installation Notes:

- Max. fixtures for 1 DMX Network: 32 without Amplifier
- Install 120 Ohm DMX cable. Recommend: ProPlex PC224T
- For systems over 1000' in length a DMX Amplifier/Splitter is required.
- DMX Terminator is required at the end of a DMX run.
- For more information on DMX use and installation, please visit:
www.iluminarc.com/reports/dmx-primer
- Each fixtures draws 112W, 0.99A at 120V

Key:

— Power — DMX Temp. DMX Optional

WWW.ILUMINARC.COM - INFO@ILUMINARC.COM

Iluminarc reserves the right to make improvements to this product and its specifications at anytime without notice.

ILUMINARC.
5200 NW 108th Ave.
Sunrise, FL 33351
+1.954.923.3680