

# ILUMINARC®

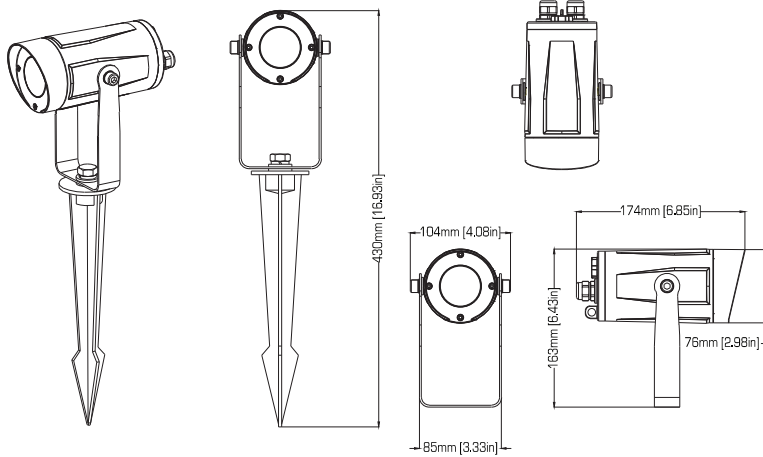
## COLORIST Pod 1Qa

Item Number: 03631070

Client: \_\_\_\_\_

Project: \_\_\_\_\_

Date: \_\_\_\_\_ Type: \_\_\_\_\_



### LIGHT SOURCE & OPTICAL SPECIFICATIONS

Light Source: 1 LEDs (quad-color RGBA)10 W, (712 mA)  
Light Source Lifespan: 50,000 hours based on LED manufacturer's specifications  
Installed Optics: 15°  
Beam Angle: 13°  
Field Angle: 24°  
Lumens: 229  
Base Illuminance: 162 lux @ 5 m  
Efficacy: 14.6 lm/W  
Minimum Distance to Illuminated Surface: 4 in (92 mm)

### CONSTRUCTION & PHYSICAL SPECIFICATIONS

Length: 6.85 in (174 mm)  
Width: 4.09 in (104 mm)  
Height: 6.43 in (163 mm) with base; 16.9 in (430 mm) with spike  
Weight: 3.6 lb (1.6 kg)  
Color: Black  
Ingress Protection Rating: IP65  
Housing Material: Extruded aluminum  
Lens Cover: Impact resistant glass  
Installation Orientation: Any

### CONTROL SPECIFICATIONS

Control Protocol: USITT DMX-512a, RDM  
Control Channels: 4, 6 or 10  
Stand Alone Control: N/A  
Remote Addresser: RDM2go  
Data Connection: 6.6 ft (2 m) Waterproof cable  
Accessories (optional): IP5SIG IP signal extension 16.4 ft (5 m)

### ELECTRICAL SYSTEM SPECIFICATIONS

Input Voltage: 100 to 240 VAC, 50/60 Hz (auto-ranging)  
Power and Current:  
14 W, 0.209 A @ 120 V  
13 W, 0.125 A @ 208 V  
13 W, 0.113 A @ 230 V  
Power Supply: Electronic internal  
Dimmer: Electronic  
Power Linking: N/A  
Power Connection: 6.6 ft (2 m) Waterproof cable, Edison plug to proprietary IP65 input power cord  
Accessories (optional): IP5POWER IP power extension 16.4 ft (5 m)

### THERMAL SPECIFICATIONS

Cooling: Convection  
Startup Temperature Range: -4 °F to 104 °F (-20 °C to 40 °C)  
Operating Temperature Range: -20 °F to 110 °F (-29 °C to 43 °C)  
Storage Temperature Range: -40 °F to 167 °F (-40 °C to 75 °C)

### REGULATORY & VOLUNTARY QUALIFICATION

Certification Listings: MET, CE  
Environment: Wet location, IP65, All indoor and limited outdoor permanent installations. Please refer to the User Manual for more detailed information on installation.  
Warranty: 24-month manufacturer's limited warranty (for covered regions only)

WWW.ILUMINARC.COM - INFO@ILUMINARC.COM

Iluminarc reserves the right to make improvements to this product and its specifications at anytime without notice.

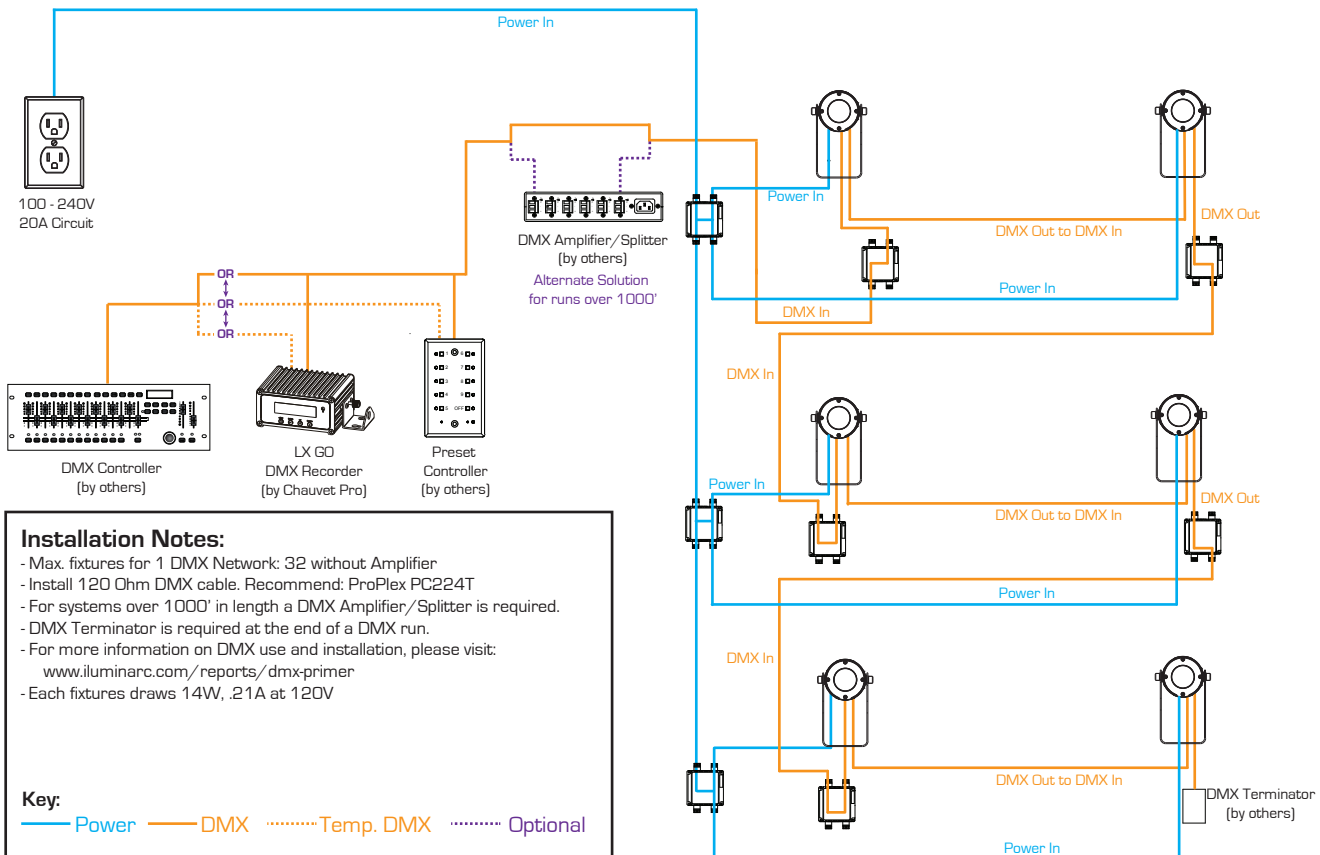
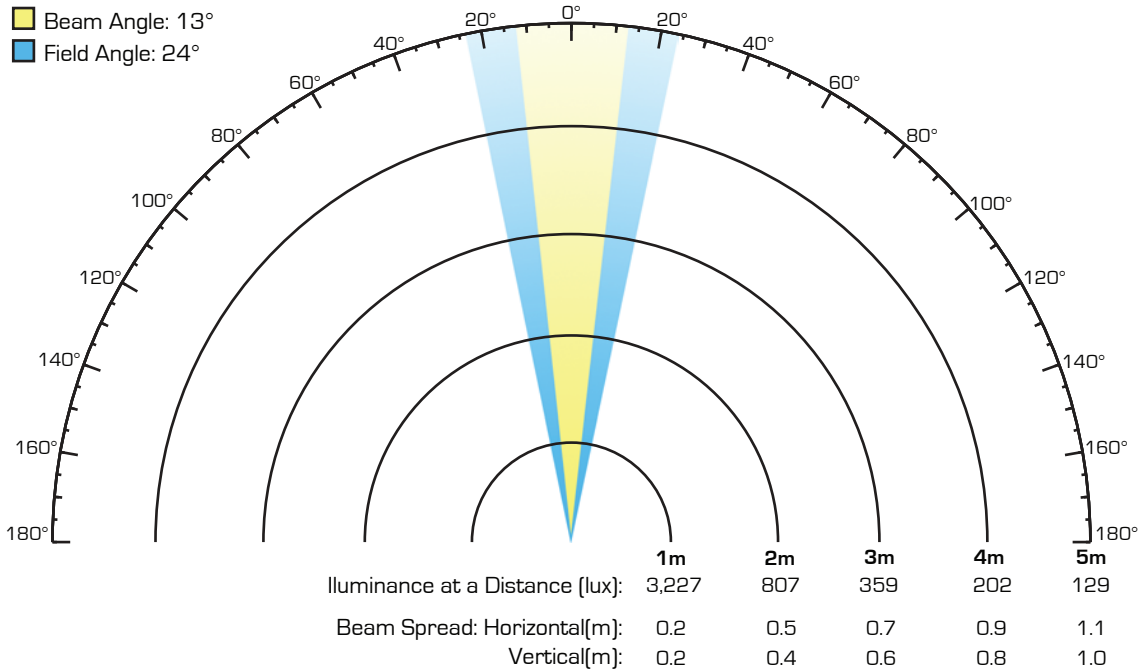
ILUMINARC.  
5200 NW 108th Ave.  
Sunrise, FL 33351  
+1.954.923.3680

## COLORIST Pod 1Qa

Item Number: 03631070

### Colorist Pod 1Qa

- Beam Angle: 13°
- Field Angle: 24°



#### Installation Notes:

- Max. fixtures for 1 DMX Network: 32 without Amplifier
- Install 120 Ohm DMX cable. Recommend: ProPlex PC224T
- For systems over 1000' in length a DMX Amplifier/ Splitter is required.
- DMX Terminator is required at the end of a DMX run.
- For more information on DMX use and installation, please visit:  
[www.iluminarc.com/reports/dmx-primer](http://www.iluminarc.com/reports/dmx-primer)
- Each fixtures draws 14W, .21A at 120V

#### Key:

- Power
- DMX
- ⋯ Temp. DMX
- ⋯ Optional