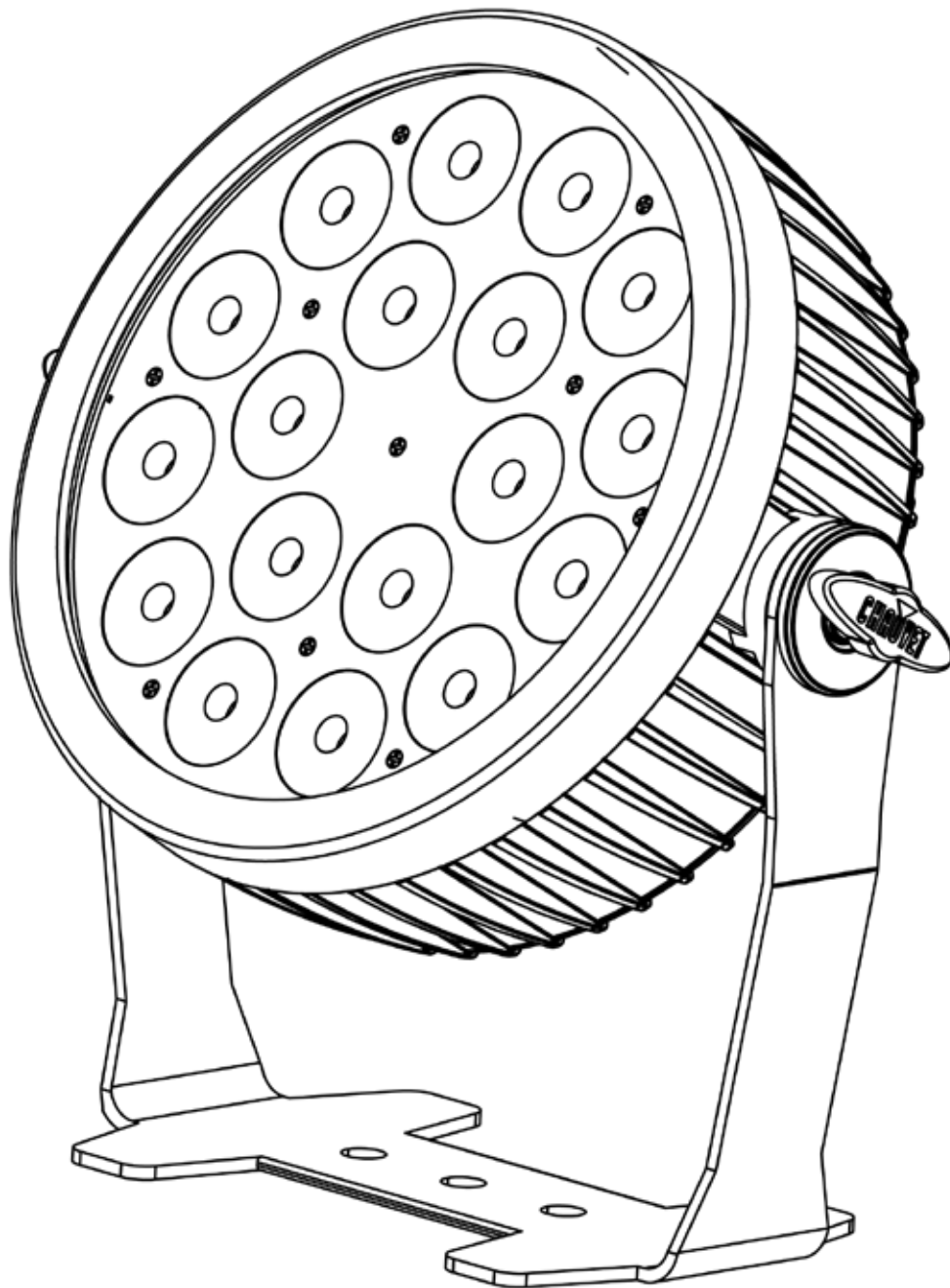


COLORIST POD 18Qa

User Manual



ILUMINARC

Edition Notes

The Colorist Pod 18Qa User Manual Rev. 5 covers the description, safety precautions, installation, programming, operation, and maintenance of the Maverick MK2 Wash. ILUMINARC released this edition of the Colorist Pod 18Qa User Manual in April 2018.

Trademarks

ILUMINARC, the ILUMINARC logo, and Colorist Pod 18Qa are registered trademarks or trademarks of Chauvet & Sons LLC. (d/b/a Chauvet and Chauvet Lighting) in the United States and other countries. Other company and product names and logos referred to herein may be trademarks of their respective companies.

Manual Usage

ILUMINARC authorizes its customers to download and print this manual for professional information purposes only. ILUMINARC expressly prohibits the usage, copy, storage, distribution, modification, or printing of this manual or its content for any other purpose without its written consent.

Document Printing

For better results, print this document in color, on letter size paper (8.5 x 11 in), double-sided. If using A4 paper (210 x 297 mm), configure your printer to scale the content of this document to A4 paper.

Disclaimer

ILUMINARC believes that the information contained in this manual is accurate in all respects. However, ILUMINARC assumes no responsibility for any error or omissions in this document. ILUMINARC reserves the right to revise this document and to make changes from time to time in the content without obligation of ILUMINARC to notify any person or company of such revision or changes. ILUMINARC may issue a revision of this manual or a new edition of it to incorporate such changes. This does not constitute in any way a commitment by ILUMINARC to make such changes.

Document Revision

The Colorist Pod 18Qa User Manual Rev. 5 supersedes all previous versions of this manual. Discard any older versions of this manual and replace with this version. Go to <http://www.iluminarc.com/> for the latest version.

Copyright Notice

The works of authorship contained in this manual, including, but not limited to, all design, text and images are owned by Chauvet.

© Copyright 2018 ILUMINARC.

All rights reserved.

Electronically published by ILUMINARC in the United States of America.

Table of Contents

- 1. Introduction 1**
 - What Is In The Box 1
 - Unpacking Instructions 1
 - Claims1
 - Text Conventions 1
 - Safety Notes 2
 - Personal Safety2
 - Mounting and Installation2
 - Power and Wiring2
 - Operation2
- 2. Product Description 3**
 - Features 3
 - Product Overview 4
 - Product Dimensions 5
- 3. Installation 6**
 - Mounting 6
 - Orientation6
 - Installation6
 - Procedure6
 - AC Power 7
 - Power Consumption7
 - AC Plug7
 - Power Linking7
 - DMX Linking 8
 - DMX Connection8
 - IP65 DMX Cable Table8
 - DMX Personality9
 - DMX Controller 9
- 4. Operation 10**
 - Control Panel Description 10
 - Control Options 10
 - DMX Programming 10
 - Static Colors10
 - Auto Play10
 - Custom Color10
 - Temperature11
 - Passcode11
 - Dimmer11
 - Menu Map 12
 - DMX Values 13

5. Technical Information	14
Product Maintenance.....	14
Product Repairs	14
Photometrics.....	15
LED Disclaimer	16
LED Life	16
LED Binning	16
Color Rendering Index (CRI).....	16
Return Procedure	17
Contact Us	Error! Bookmark not defined.
6. Technical Specifications.....	18

1. Introduction



Critical installation, configuration, or operation information. Failure to comply with this information may render the product partially or completely inoperative, damage third-party equipment, or cause harm to the user



Important installation or configuration information. Failure to comply with this information may prevent the product from functioning correctly.



Useful information.



The term "DMX" used throughout this document refers to the USITT DMX512-A transmission protocol.

What Is In The Box

- Colorist Pod 18Qa
- IP65 Power Input/Output Cords with adapters
- IP65 Data Input/Output Cords with adapters
- Warranty Card
- Quick Reference Guide

Unpacking Instructions

Immediately upon receiving a product from ILUMINARC, carefully unpack the carton. Check the contents of the box to ensure that all parts are present and that they are in good condition.

Claims

The carrier is responsible for any damage incurred during shipping. Therefore, if the received merchandise appears to have been damaged during shipping, the customer must submit the damage report and any related claims to the carrier, not ILUMINARC. The customer must submit the report upon receipt of the damaged merchandise. Failure to do so in a timely manner may invalidate the customer's claim with the carrier.

For other issues such as missing components or parts, damage not related to shipping, or concealed damage, the customer must make claims to ILUMINARC within 7 days of receiving the merchandise.

Text Conventions

Convention	Meaning
1-512	A range of values in the text
50/60	A set of mutually exclusive values in the text
<SET>	A button on the product's control panel
Settings	A product function or a menu option
MENU > Settings	A sequence of menu options
1-10	A range of menu values from which to choose in a menu
Yes/No	A set of two mutually exclusive menu options in a menu
ON	A unique value to enter or select in a menu



There are no user-serviceable parts inside this product. Any reference to servicing you may find in this User Manual will only apply to properly certified ILUMINARC technicians. Do not open the housing or attempt any repairs unless you are certified to do so.



Please refer to all applicable local codes and regulations for the proper installation of this product.



Keep this manual for future consultation. If you sell this product to another user, make sure that they also receive this manual.



In the unlikely event that your Colorist Pod 18Qa may require service, please contact ILUMINARC Technical Support.



Please consult with an Illuminarc sales representative on the suitability of this product for your installation. Failure to follow these guidelines or the recommendations of the Illuminarc sales representative may result in the product warranty being rendered VOID and any repair cost being the sole responsibility of the buyer.

Safety Notes

Please read all the following Safety Notes carefully because they include important information on how to install, use, and maintain this product safely.

Personal Safety

- Avoid direct eye exposure to the light source while the product is on.
- Always disconnect this product from its power source before servicing.
- Always connect this product to a grounded circuit to avoid the risk of electrocution.
- Do not touch this product's housing when operating because it may be very hot.

Mounting and Installation

- This product is for outdoor use (IP65). All indoor and limited outdoor permanent installations.
- Not for permanent outdoor installation in locations with extreme environmental conditions. This includes, but is not limited to:
 - Exposure to a marine/saline environment (within 3 miles of a saltwater body of water).
 - Where the normal high or low temperatures of the location exceed the temperature ranges in this manual.
 - When mounting outdoors, do not point the product straight down.
 - Locations that are prone to flooding or being buried in snow.
 - Other areas where the product will be subject to extreme radiation or caustic substances.
- CAUTION: When transferring product from extreme temperature environments, (e.g. cold truck to warm humid ballroom) condensation may form on the internal electronics of the product. To avoid causing a failure, allow product to fully acclimate to the surrounding environment before connecting it to power.
- Make sure there are no flammable materials close to this product while it is operating.
- When hanging this product, always secure it to a fastening device using a safety cable (not provided).

Power and Wiring

- To eliminate unnecessary wear and improve its lifespan, during periods of non-use completely disconnect the product from power via breaker or by unplugging it.
- Always make sure that you are connecting this product to the proper voltage, as per the specifications in this manual or on the product's sticker.
- Never connect this product to a dimmer pack.
- Make sure that the power input cable is not cracked, crimped, or damaged.
- Never disconnect this product by pulling on the power input cable.

Operation

- The maximum ambient temperature range is -20 °F to 110 °F (-29 °C to 43 °C). Do not operate this product outside these temperatures.
- In case of a serious operating problem, stop using this product immediately!

2. Product Description

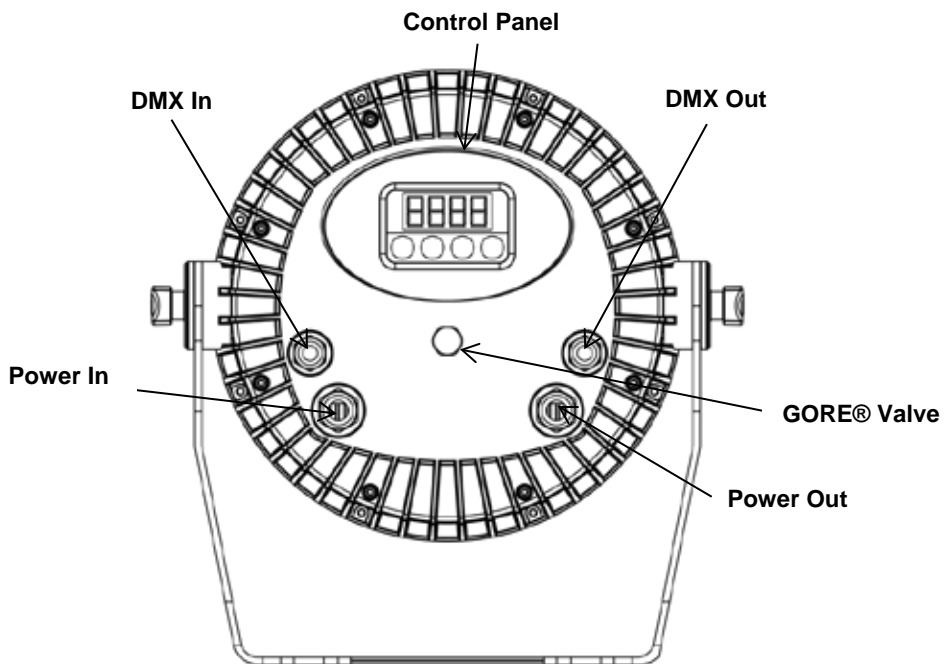
The Colorist Pod 18Qa is an IP65-rated wash product that may be used to light a variety of both indoor and outdoor applications.

The Colorist Pod 18Qa consists of 18 quad-color RGBA 15 watt LEDs that can be controlled via the control panel or DMX control connections located on the back of the cast aluminum housing. The power connections are also located on the back of the product.

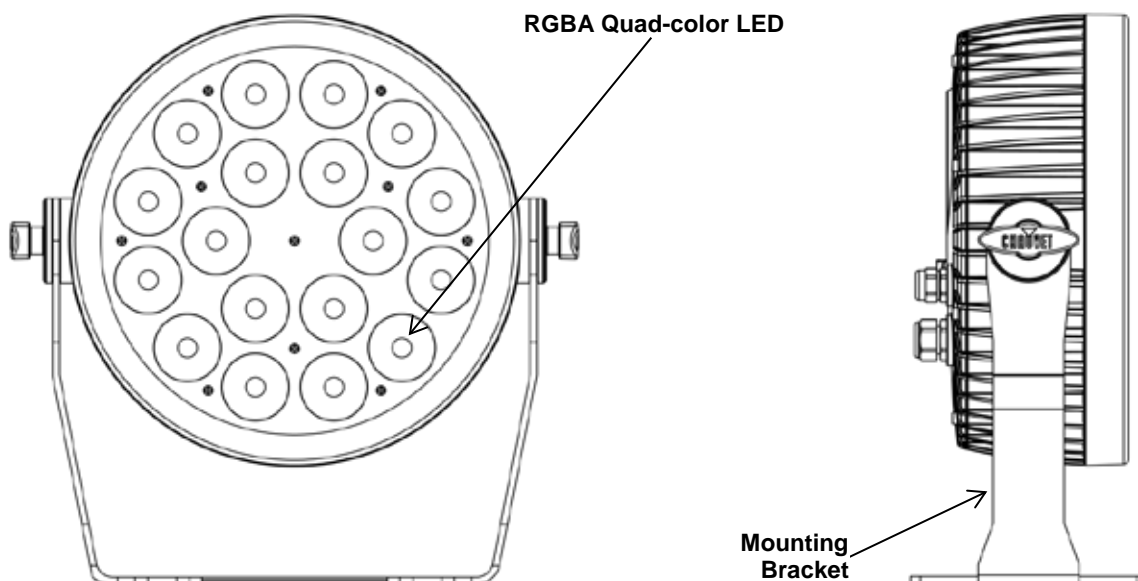
Features

- 4-, 6- or 10-channel RGBA quad-color LED wash product
- Operating personalities:
 - 4-channel: RGBA
 - 6-channel: RGBA, dimmer, strobe
 - 10-channel: RGBA, dimmer, color macro, strobe, auto, speed, dimmer profile
- RGBA color mixing with or without DMX control
- 3 distinct dimming profiles
- Touch sensitive LED display with Passcode protection
- Built-in automated programs via DMX

Product Overview



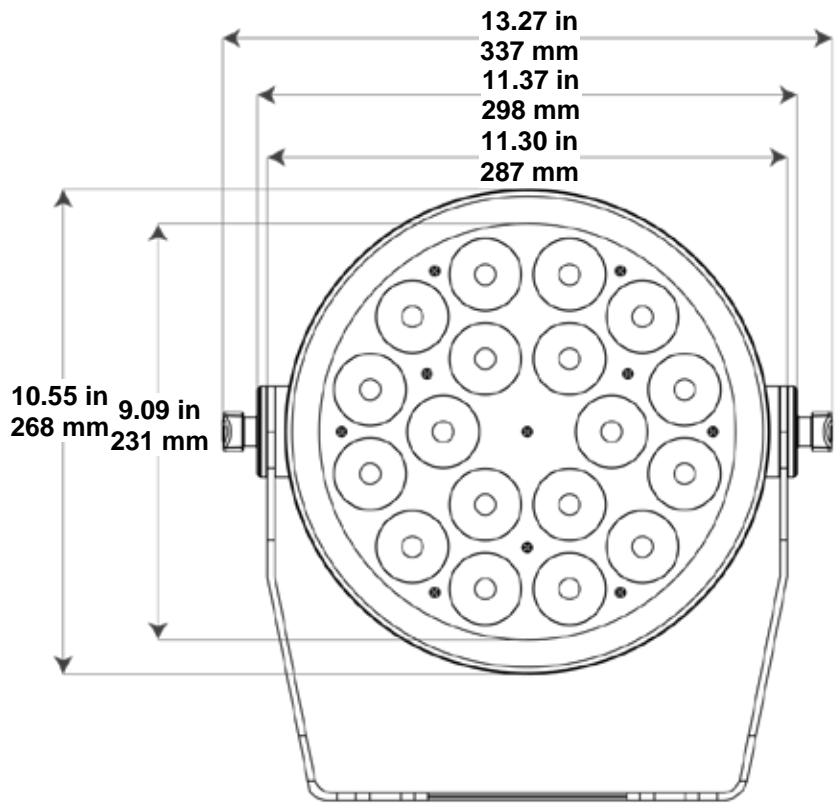
Rear View



Front View

Side View

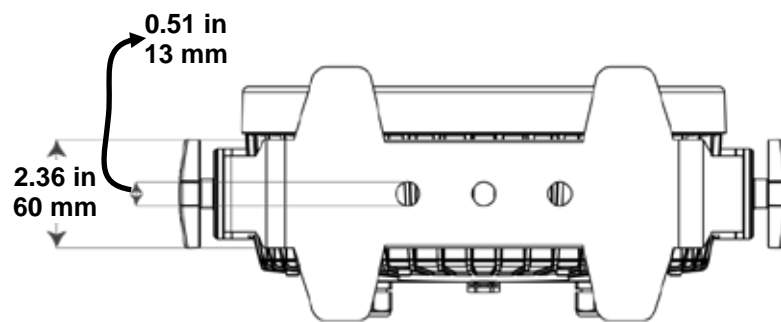
Product Dimensions



Front View



Side View



Bottom View

3. Installation

Mounting

Before mounting this product, read and follow the safety recommendations indicated in the [Safety Notes](#).

Orientation

Always mount this product in a safe position, making sure there is adequate room for ventilation, configuration, and maintenance.

Installation



Make sure to mount this product away from any flammable material as indicated in the [Safety Notes](#).



Not for permanent outdoor installation in locations with extreme environmental conditions.

ILUMINARC recommends following the general guidelines below when mounting the Colorist Pod 18Qa.

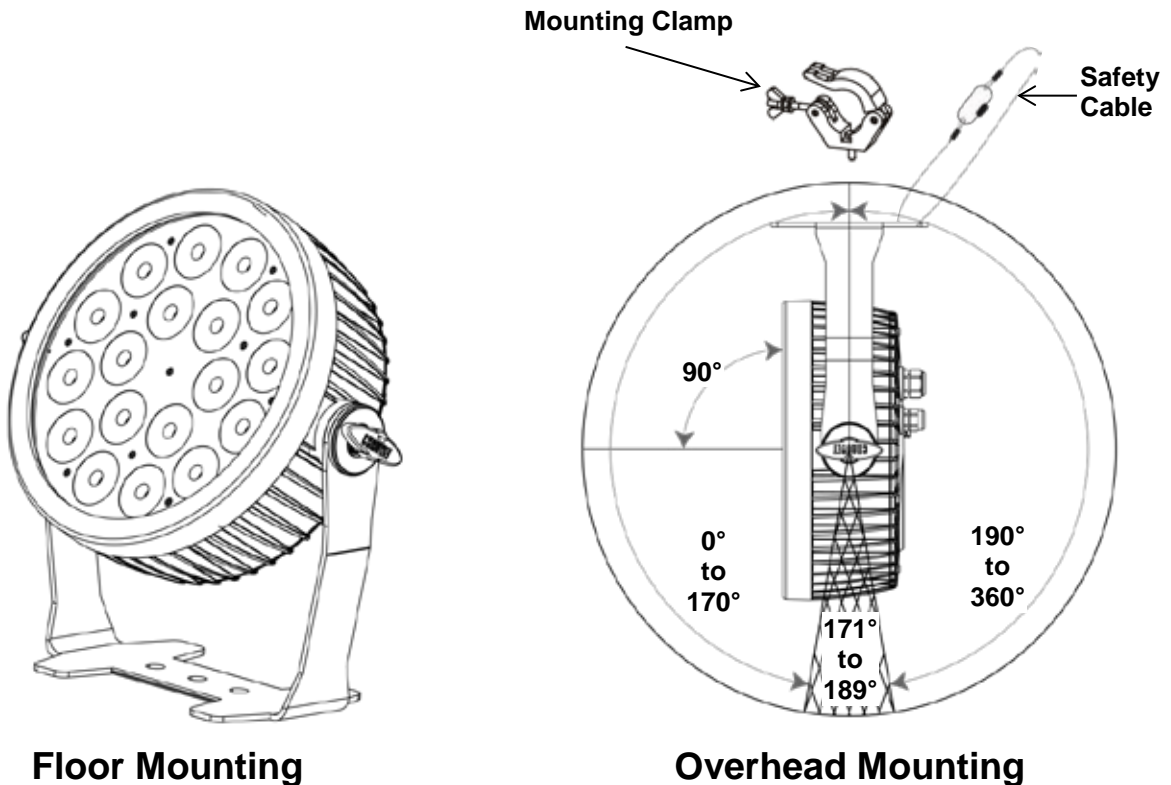
- When selecting an installation location, consider ease of access to the product for operation, programming adjustments and routine maintenance.
- Product aperture must not hang between 171° and 189° on the vertical axis in outdoor environments.
- Not for permanent outdoor installation in locations with extreme environmental conditions.
- Make sure the product's mounting location can support its weight. See the [Technical Specifications](#) for the weight requirement(s) of this product.

Procedure



Product aperture must not hang between 171° and 189° on the vertical axis in outdoor environments.

The Colorist Pod 18Qa comes with an adjustable floor-mounting bracket that doubles as a hanging bracket to which you can attach a mounting clamp, using the M12 holes in the bottom. This bracket also serves as a floor stand or wall-mount support. You must supply your own clamps and make sure the clamps are capable of supporting the weight of this product. You must use one mounting point per product. Product aperture must not hang between 171° and 189° on the vertical axis in outdoor environments.





Always connect the Colorist Pod 18Qa to a

protected circuit with an appropriate electrical ground to avoid the risk of electrocution or fire.



Never connect the Colorist Pod 18Qa to a

rheostat (variable resistor) or dimmer circuit, even if the rheostat or dimmer channel serves only as a 0–100% switch.



Make sure to connect the Colorist Pod

18Qa to a power line with the proper voltage and frequency, as per the specifications in this manual or on the product's sticker.

AC Power

The Colorist Pod 18Qa has an auto-ranging power supply that works with an input voltage range of 100–240 VAC, 50/60 Hz.

Make sure that you are connecting this product to the proper voltage, as per the specifications in this User Manual or on the product's sticker.

Power Consumption

To determine the power requirements for the Colorist Pod 18Qa, refer to the label affixed to the side of the product. You may also refer to the [Technical Specifications](#).

The listed current rating indicates the maximum current draw during normal operation.

AC Plug

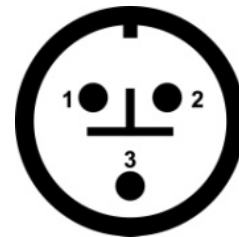
The Colorist Pod 18Qa comes with an IP65 power input cord terminated with a proprietary IP65 connector and an IP65-to-Edison power cord adapter. If the power cord adapter that came with your product has no plug or you need to change the Edison plug, use the table below to wire the new plug.

Connection	Wire (U.S.)	Screw Color (U.S.)	Wire (Europe)	IP65 Pin
AC Live	Black	Yellow or Brass	Brown	1
AC Neutral	White	Silver or Gray	Blue	2
AC Ground	Green/Yellow	Green	Green/Yellow	3

IP65 Power Connector Pins



Male



Female



The listed current rating indicates the maximum current draw during normal operation.



When connecting the Colorist Pod 18Qa to local power, it may be necessary to use the local-to-IP65 adapters supplied with this product.

Power Linking

The Colorist Pod 18Qa supports power linking. You can power link up to 9 products at 120 VAC, 16 products at 208 VAC, or 18 products at 230 VAC. Never exceed these numbers. This product comes with a power input cord. This product does not require additional power linking cables; however, if longer power linking cables are needed, they can be purchased separately.



The Colorist Pod 18Qa must be linked using DMX cable in a daisy chain (serial) fashion. To comply with the EIA-485 standard, no more than 32 products should be connected on one daisy chain without using a DMX optically isolated splitter. Doing otherwise may result in deterioration of the digital DMX signal.



USITT recommends limiting the total length of the DMX cable (from the first product/controller to the last product) to 300–455 m (985–1,500 ft).



To connect the Colorist Panel 36Qa to your DMX network, it is necessary to use the 3-pin to 5-pin adapters supplied with this product.



When not using the Power Output, DMX Input or DMX Output connectors, you must seal the cable ends with the supplied caps.

DMX Linking

You may link the Colorist Pod 18Qa to a DMX controller using a standard DMX serial connection. If using other DMX products compatible with the Colorist Pod 18Qa, you can control each individually with a single DMX controller.

If you are not familiar with the DMX standard, or if you need information about the DMX cables needed to link the Colorist Pod 18Qa to a DMX controller, you may download the “DMX Primer” from the ILUMINARC website at <http://www.iluminarc.com/reports/dmx-primer>.

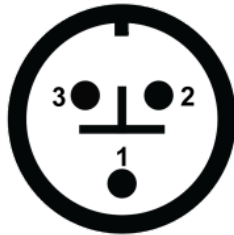
DMX Connection

The Colorist Pod 18Qa uses a regular DMX data connection for its DMX personalities: **4-CH**, **6-CH**, and **10CH**.

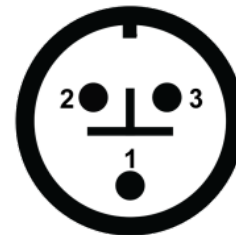
IP65 DMX Cable Table

Connection	DMX (U.S.)	DMX (Europe)	IP65 Pin
Ground	Shield	Shield	1
Data -	White	Blue	2
Data +	Red	Brown	3

IP65 DMX Connector Pins



Male



Female

DMX Personality

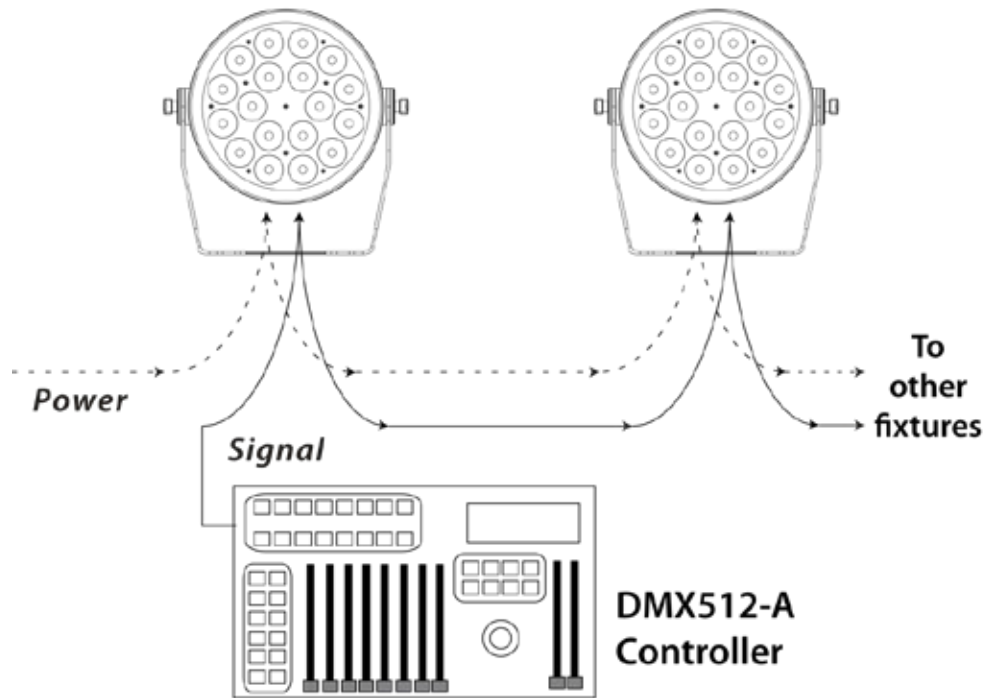
i If you have not configured the DMX starting address and DMX personality for each product, they will all use their default values. This means that all products will operate in unison.

The Colorist Pod 18Qa uses the standard DMX data connection for its 3 DMX personalities as per the table below. Refer to the [Introduction](#) chapter for a brief description of these personalities. Refer to the [Operation](#) chapter to learn how to configure the Colorist Pod 18Qa to work in these personalities. The [DMX Values](#) section provides detailed information regarding the DMX personalities.

DMX Personality	DMX Address
4-CH	509
6-CH	507
10CH	503

DMX Controller

The Colorist Pod 18Qa can work with a standard DMX controller. The channel assignments will depend on the chosen DMX personality (see the corresponding [Menu Map](#) section) and the DMX address assigned to each product (see the [Programming](#) section). The figure below illustrates how to connect the DMX controller to the Colorist Pod 18Qa.



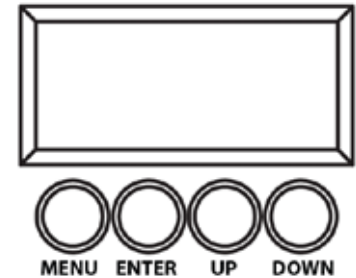
Remote Device Management (RDM)

Remote Device Management, or RDM, is a standard for allowing DMX-enabled devices to communicate bi-directionally along existing DMX cabling. Check the DMX controller’s User Manual or with the manufacturer as not all DMX controllers have this capability. The Colorist Pod 18Qa supports RDM protocol that allows feedback to make changes to menu map options.

4. Operation

Control Panel Description

Button	Function
<MENU>	Exits from the current menu or function
<ENTER>	Enables the currently displayed menu or sets the currently selected value in to the current function
<UP>	Navigates upwards through the menu list and increases the numeric value when in a function
<DOWN>	Navigates downwards through the menu list and decreases the numeric value when in a function



Control Options

You can set the Colorist Pod 18Qa start address in the **001–512** DMX range. This allows for the control of up to 51 products in the 10-channel **10CH** personality.

DMX Programming

Carry out all the programming procedures indicated below from the control panel. Refer to the [Menu Map](#) to learn how the menu options relate to each other.

Use <ENTER> and <MENU> to change levels in the Menu Map. Use <UP> and <DOWN> to select from among the Menu Map options.

1. From the Main Level select any DMX personality **4-CH**, **6-CH**, and **10CH**.
2. Go to **d** and select a starting DMX address (**1–512**).

Static Colors

1. Go to **C--**.
2. Select a color (**C 1–15**).

Auto Play

1. Go to **P--**.
2. Select an auto program (**P 1–5**).
3. Go to **S--**.
4. Select an auto program speed (**S 1–100**).

Custom Color

1. Go to **U--**.
2. Select a color (**r**, **g**, **b**, or **A**).
3. Configure the color value (**0–255**).
4. Repeat steps 4 and 5 for the other colors.



P 01–10 are fully configured programs and cannot be

modified.



The Passcode is a default setting and not customizable.



DIM1 is the fastest dimming curve and **DIM3** is the slowest.

Temperature

This menu option allows you to see the temperature of the product while it is operating.

1. Go to **teMP**.
2. The products temperature is displayed **XX** (°C).

Passcode

When **PASS** is active, the product will ask you to enter the Passcode (<UP>, <DOWN>, <UP>, and <DOWN>) after 30 seconds of control panel inactivity or upon power up.

1. Go to **PASS**.
2. Select a setting (**ON/OFF**).

Dimmer

This setting gives the user three different options to simulate the dimming curve of an incandescent lighting product.

1. Go to **dIM**.
2. Select a dimming curve (**OFF** or **dIM1-3**).

OFF

- Linear RGBA and Master Dimmer

DIM1-3

- Non-linear RGBA and Master Dimmer

Menu Map

Main Level	Programming Levels		Description
4-CH	d	1-512	Selects DMX personality and sets the DMX starting address
6-CH			
10CH			
C---	C 1		R (red)
	C 2		G (green)
	C 3		B (blue)
	C 4		A (amber)
	C 5		GB
	C 6		RB
	C 7		RG
	C 8		RGB
	C 9		RA
	C 10		GA
	C 11		BA
	C 12		RGA
	C 13		RBA
	C 14		GBA
	C 15		RGBA
P--	P	1-5	Selects an auto program
S--	S	1-100	Selects the auto program speed (slow to fast)
U---	r	0-255	Combines red, green, blue, and amber to make a custom color (0-100%)
	g		
	b		
	A		
dIM	OFF		Off
	dIM1		Dimming profiles fast (dIM1) to slow (dIM3)
	dIM2		
	dIM3		
teMP	XX		Shows product temperature (°C)
PASS	On		Turns the passcode on or off
	OFF		

DMX Values

10CH	Channel	Function	Value	Percent/Setting
	1	Dimmer	000 ó 255	0–100%
	2	Red	000 ó 255	0–100%
	3	Green	000 ó 255	0–100%
	4	Blue	000 ó 255	0–100%
	5	Amber	000 ó 255	0–100%
	6	Color Macro + White Balance	000 ó 010	No function
			011 ó 030	R: 100% G: 0–100% B: 0
			031 ó 050	R: 100%–0 G: 100% B: 0
			051 ó 070	R: 0 G: 100% B: 0–100%
			071 ó 090	R: 0 G: 100%–0 B: 100%
			091 ó 110	R: 0–100% G: 0 B: 100%
			111 ó 130	R: 100% G: 0 B: 100%–0
			131 ó 150	R: 100% G: 0–100% B: 0–100%
			151 ó 170	R: 100%–0 G: 100%–0 B: 100%
			171 ó 200	RGBA: 100%
			201 ó 205	White 1
			206 ó 210	White 2
			211 ó 215	White 3
			216 ó 220	White 4
			221 ó 225	White 5
			226 ó 230	White 6
	231 ó 235	White 7		
	236 ó 240	White 8		
	241 ó 245	White 9		
	246 ó 250	White 10		
	251 ó 255	White 11		
	7	Strobe	000 ó 010	No function
			011 ó 255	Slow to fast
	8	Auto Programs	000 ó 051	No function
			052 ó 101	Auto Program 1
			102 ó 152	Auto Program 2
			153 ó 203	Auto Program 3
			204 ó 254	Auto Program 4
			255	Auto Program 5
	9	Auto Speed	000 ó 255	Auto program speed (slow to fast)
	10	Dimming Profiles	000 ó 051	Preset dimmer speed from display menu
			052 ó 101	Dimmer profile off (linear dimmer)
			102 ó 152	Nonlinear dimming profile 1 (fastest)
			153 ó 203	Nonlinear dimming profile 2
			204 ó 255	Nonlinear dimming profile 3 (slowest)

6-CH	Channel	Function	Value	Percent/Setting
	1	Dimmer	000 ó 255	0–100%
	2	Red	000 ó 255	0–100%
	3	Green	000 ó 255	0–100%
	4	Blue	000 ó 255	0–100%
	5	Amber	000 ó 255	0–100%
	6	Strobe	000 ó 010	No function
			011 ó 255	Slow to fast

4-CH	Channel	Function	Value	Percent/Setting
	1	Red	000 ó 255	0–100%
	2	Green	000 ó 255	0–100%
	3	Blue	000 ó 255	0–100%
	4	Amber	000 ó 255	0–100%

5. Technical Information

Product Maintenance

To maintain optimum performance and minimize wear, clean the products frequently. Usage and environment are contributing factors in determining the cleaning frequency. As a general guideline, products should be cleaned at least twice a month. Dust build-up reduces light output, performance, and can cause overheating. This can lead to reduced light source life. For products containing external optical lenses, clean them periodically to optimize light output. The cleaning frequency depends on the environment in which the product operates. Damp, smoky, or particularly dirty surrounding can cause greater accumulation of dirt on the product's optics, requiring more frequent cleaning.

To clean a product:

1. Unplug the product from power.
2. Wait until the product is at room temperature.
3. Use a vacuum (or dry compressed air) and a soft brush to remove dust collected on the external vents and reachable internal components.
4. Clean all external glass optics and glass surfaces with a mild solution of glass cleaner or isopropyl alcohol, and a soft, lint-free cotton cloth or lens-cleaning tissue.
5. Clean all plastic surfaces, including LED lenses, with mild soapy water and a soft, lint-free cotton cloth or a lens-cleaning tissue.
6. Apply the solution directly to the cloth or tissue and wipe any dirt and grime to the outside edge of the lens.
7. Gently polish the external glass surfaces until they are free of haze and lint.



Always dry the external optics and glass surfaces carefully after cleaning them.



If you still experience technical problems, contact

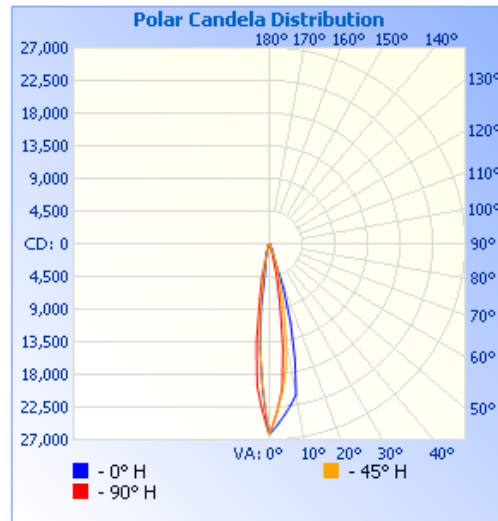
[ILUMINARC Technical Support](#).

Product Repairs

ILUMINARC strongly advises you against attempting any repairs to this product unless you are an authorized ILUMINARC technician.

Photometrics

Filename: ColoristPod18Qa_IESNA2002
Manufacturer: ILUMINARC
Luminaire: Colorist Pod 18Qa
Lamp: LED
Lamp Output: 1 lamp, rated Lumens/lamp: 904.4
Max Candela: 26,245.4 at Horizontal: 0°, Vertical: 0°
Input Wattage: 127.1
Luminous Opening: Circular (Dia: 0.28M)
Test: ALL
Test Date: 2014-03-24
Test Lab: ILUMINARC R&D Optics Laboratory
Photometry : Type B
Cutoff Class: Full Cutoff
Nema Type: 2 X 3



Flood Summary				
	Efficiency	Lumens	Horizontal Spread	Vertical Spread
Field (10%):	259.7%	2,348.6	28.8	30.8
Beam (50%):	135.1%	1,221.9	15.6	19.7
Total:	315.6%	2,854.0		

Illuminance at a Distance			
	Center Beam LUX	Beam Width	
1.67M	9,442 LUX	0.58 M	0.46 M
3.33M	2,360 LUX	1.16 M	0.92 M
5.00M	1,050 LUX	1.74 M	1.37 M
6.67M	591 LUX	2.32 M	1.83 M
8.33M	378 LUX	2.90 M	2.29 M
10.00M	262 LUX	3.48 M	2.75 M

■ Vert. Spread: 19.7°
■ Horiz. Spread: 15.6°

LED Disclaimer

LED Life

ILUMINARC rates LED lifetime based on lumen depreciation of 70% of the original output, with data provided by the manufacturer of the LED. Data from the manufacturer of the LED are not independently verified or measured by ILUMINARC. When the product is operating in optimal environmental conditions, the LED lifetime is rated to be 50,000 to 70,000 hours by the LED manufacturer.

LED Binning

LED manufacturers sort LEDs into “bins,” based on variances in color, output intensity, and the frequency at which the semiconductor operates. ILUMINARC strives to hold its LED manufacturers to the highest standards of binning to optimize consistency in output from product to product. However, the availability of a single bin cannot be guaranteed. With that in mind, ILUMINARC has developed a rigorous control system to seek the best-achievable consistency in color and output.

Color Rendering Index (CRI)

CRI is an industry standard method to compare properties of different types of light sources. There are known limitations and inconsistencies related to CRI. Results may vary depending on the environmental factors involved. For this reason, the U.S. Department of Energy (DOE) states that CRI should be considered as one point of reference among others in evaluating white LED products and systems.

The following is an excerpt of recommendations from the DOE:

1. Identify the visual tasks to be performed under the light source. If color fidelity under different light sources is critically important (for example, in a space where color or fabric comparisons are made under both daylight and electric lighting), CRI values may be a useful metric for rating LED products.
2. CRI may be compared only for light sources of equal correlated color temperature. This applies to all light sources, not only to LEDs. Also, differences in CRI values of less than five points are not significant, e.g., light sources with 80 and 84 CRI are essentially the same.
3. If color appearance is more important than color fidelity, do not exclude white light LEDs solely on the basis of relatively low CRI values. Some LED products with CRIs as low as 25 still produce visually pleasing white light.
4. Evaluate LED systems in person and, if possible, on-site when color fidelity or color appearance are important issues.

Source: DOE publication: PNNL-SA-56891, January 2008.

Return Procedure



ILUMINARC reserves the right to use its own discretion to repair or replace returned product(s).

You must send the merchandise prepaid, in the original box, and with its original packing and accessories. ILUMINARC will not issue call tags.

Call ILUMINARC and request a Return Merchandise Authorization Number (RMA #) before shipping the product. Be prepared to provide the model number, serial number, and a brief description of the cause for the return.

The user must clearly label the package with an RMA #. ILUMINARC will refuse any product returned without an RMA #. **DO NOT write the RMA # directly on the box. Instead, write it on a properly affixed label.**

Once you receive the RMA #, please include the following information on a piece of paper inside the box:

- Your name
- Your address
- Your phone number
- The RMA #
- A brief description of the problem

Be sure to pack the product properly. Any shipping damage resulting from inadequate packaging will be the customer's responsibility. Proper FedEx packing or double-boxing are recommended.



Always keep the original box and all packaging material as you will need those to ship the product back to ILUMINARC.

Contact Us

General Information	Technical Support
Chauvet World Headquarters	
Address: 5200 NW 108th Avenue Sunrise, FL 33351 Voice: (954) 577-4455 Toll free: (800) 762-1084	Voice: (844) 393-7575 Email: support@iluminarc.com Website: www.iluminarc.com
Chauvet Europe Ltd	
Address: Unit 1C Brookhill Road Industrial Estate Pinxton, Nottingham, UK NG16 6NT Voice: +44 (0)1773 511115	Email: uktech@chauvetlighting.com Website: www.chauvetlighting.co.uk
Chauvet Europe BVBA	
Address: Stokstraat 18 9770 Kruishoutem Belgium Voice: +32 9 388 93 97	Email: Eutech@chauvetlighting.com Website: www.chauvetlighting.eu
Chauvet France	
Address: 3, Rue Ampère 91380 Chilly-Mazarin France Voice: +33 1 78 85 33 59	Email: Eutech@chauvetlighting.com Website: www.chauvetlighting.eu
Chauvet Germany	
Address: Bruno-Bürgel-Str. 11 28759 Bremen Germany Voice: +49 421 62 60 20	Email: Eutech@chauvetlighting.com Website: www.chauvetlighting.eu
Chauvet Mexico	
Address: Av. de las Partidas 34-3B (Entrance by Calle 2) Zona Industrial Lerma Lerma, Mexico C.P. 52000 Voice: +52 (728) 690-2010	Email: servicio@iluminarc.com.mx Website: www.chauvet.com.mx

Outside the U.S., U.K., Ireland, Benelux, France, Germany, or Mexico, contact the dealer of record. Follow the instructions to request support or to return a product. Visit our website for contact details

6. Technical Specifications

Dimensions and Weight	Length	Width	Height	Weight
	5.5 in (140 mm)	13.3 in (337 mm)	13.3 in (337 mm)	15 lb (6.8 kg)
Note: Dimensions and Weight are rounded to the nearest decimal digit.				
Electrical	Power Supply Type	Range	Voltage Selection	
	Switching (internal)	100–240 VAC, 50/60 Hz	Auto-ranging	
	Parameter	120 V, 60 Hz	230 V, 50 Hz	
	Consumption	133 W (1.1 A)	128 W (0.57 A)	
	Power I/O	Input	Output	
	Connectors	IP65 Input power	IP65 Output power	
	Cord plug	Edison	N/A	
Light Source	Type	Power	Lifespan	
	LED	15 W	50,000 hours	
	Color	Quantity	Current	
	Quad-color RGBA	18	985 mA	
Photometrics	Parameter	Standard Optics		
	Lumens	2,854		
	Efficacy	22.5 lm/W		
	Illuminance @ 5 m	2,232 lux		
	Beam angle	16°		
	Field angle	27°		
Thermal	Max. External Temperature	Cooling System		
	110 °F (43 °C)	Convection		
DMX	I/O Connectors	Connector Type	Channel Range	
	Proprietary IP65 3-pin	IP65	4, 6 or 10	
Ordering	Product Name	Item Code	UPC Code	
	Colorist Pod 18Qa	03630838	781462211868	



UL 1573
 CSA C22.2 No. 166
 E113093

