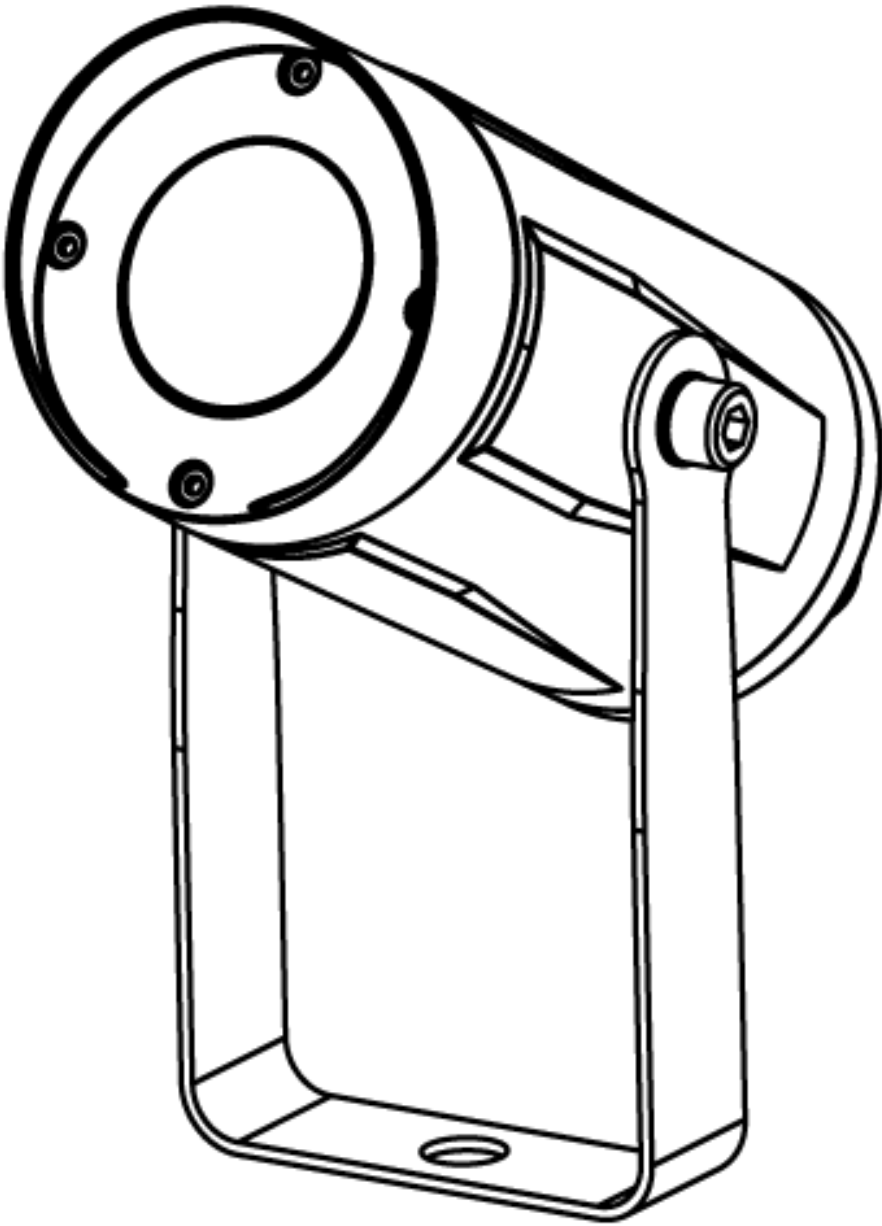


# COLORIST POD 1Qa

---

## User Manual

---



---

ILUMINARC

## Edition Notes

The Colorist Pod 1Qa User Manual Rev. 3 includes a description, safety precautions, and installation, programming, operation, and maintenance instructions for the Colorist Pod 1Qa as of the release date of this edition in April 2018.

### Trademarks

ILUMINARC, the ILUMINARC logo and Colorist Pod 1Qa are registered trademarks or trademarks of Chauvet & Sons LLC. (d/b/a ILUMINARC, Chauvet, and Chauvet Lighting) in the United States and other countries. Other company and product names and logos referred to herein may be trademarks of their respective companies.

### Manual Usage

ILUMINARC authorizes its customers to download and print this manual for professional information purposes only. ILUMINARC expressly prohibits the usage, copy, storage, distribution, modification, or printing of this manual or its content for any other purpose without written consent from ILUMINARC.

### Document Printing

For better results, print this document in color, on letter size paper (8.5 x 11 in), double-sided. If using A4 paper (210 x 297 mm), configure your printer to scale the content of this document to A4 paper.

### Disclaimer

ILUMINARC believes that the information contained in this manual is accurate in all respects. However, ILUMINARC assumes no responsibility and specifically disclaims any and all liability to any party for any loss, damage or disruption caused by any errors or omissions in this document, whether such errors or omissions result from negligence, accident or any other cause. ILUMINARC reserves the right to revise the content of this document without any obligation to notify any person or company of such revision, however, ILUMINARC has no obligation to make, and does not commit to make, any such revisions.

### Document Revision

The Colorist Pod 1Qa User Manual Rev. 3 supersedes all previous versions of this manual. Discard any older versions of this manual and replace with this version. Go to <http://www.iluminarc.com/> for the latest version.

### Copyright Notice

The entire content of this document, except where applicable and unless otherwise noted, is solely owned by ILUMINARC, a wholly owned trademark of Chauvet & Sons, LLC.

**Copyright 2018 ILUMINARC.**

All rights reserved.

Electronically published by ILUMINARC in the United States of America.

# Table of Contents

- 1. Introduction ..... 1**
  - What Is In The Box ..... 1
  - Unpacking Instructions ..... 1
    - Claims .....1
  - Text Conventions ..... 1
  - Safety Notes ..... 2
    - Personal Safety .....2
    - Mounting and Installation .....2
    - Power and Wiring .....2
    - Operation .....2
- 2. Product Description ..... 3**
  - Features ..... 3
    - Additional Requirements .....3
  - Product Overview ..... 4
  - Product Dimensions ..... 5
- 3. Installation ..... 6**
  - Mounting ..... 6
    - Orientation .....6
    - Installation .....6
    - Procedure .....6
  - AC Power ..... 7
    - Power Consumption .....7
    - AC Plug .....7
  - DMX Linking ..... 8
    - DMX Connection .....8
    - IP65 DMX Cable Table .....8
    - DMX Personality .....9
    - Controllers .....9
    - Remote Device Management (RDM) .....9
    - Illumicode addresser/RDM2go .....10
- 4. Operation ..... 11**
  - ILUMICODE ADDRESSER ..... 11
    - Illumicode Panel Description .....11
  - Control Options ..... 11
  - DMX Programming ..... 11
    - DMX Personality .....11
    - DMX Starting Address .....11
    - Static Colors .....12
    - Dimmer .....12
    - Color .....12
    - Whites Setting .....12
    - Reset to Factory Settings .....12
  - Illumicode Menu Options ..... 13
  - RDM Menu Options ..... 13
  - DMX Values ..... 14
  - DMX Values (Cont.) ..... 15

---

<b>5. Technical Information .....</b>	<b>16</b>
Product Maintenance .....	16
Product Repairs .....	16
Photometrics .....	17
LED Disclaimer .....	18
LED Life .....	18
LED Binning .....	18
Color Rendering Index (CRI) .....	18
Return Procedure .....	19
Contact Us .....	19
<b>6. Technical Specifications .....</b>	<b>20</b>

# 1. Introduction



Critical installation, configuration, or operation information. Failure to comply with this information may render the product partially or completely inoperative, damage third-party equipment, or cause harm to the user



Important installation or configuration information. Failure to comply with this information may prevent the product from functioning correctly.



Useful information.



The term "DMX" used throughout this document refers to the USITT DMX512-A transmission protocol.

## What Is In The Box

- Colorist Pod 1Qa
- Mounting Spike
- IP65 Power Input/Output Cords with adapters
- IP65 Data Input/Output Cords with adapters
- Warranty Card
- Quick Reference Guide

## Unpacking Instructions

Immediately upon receiving a product from ILUMINARC, carefully unpack the carton. Check the contents of the box to ensure that all parts are present and that they are in good condition.

## Claims

The carrier is responsible for any damage incurred during shipping. Therefore, if the received merchandise appears to have been damaged during shipping, the customer must submit the damage report and any related claims to the carrier, not ILUMINARC. The customer must submit the report upon receipt of the damaged merchandise. Failure to do so in a timely manner may invalidate the customer's claim with the carrier.

For other issues such as missing components or parts, damage not related to shipping, or concealed damage, the customer must make claims to ILUMINARC within 7 days of receiving the merchandise.

## Text Conventions

Convention	Meaning
1–512	A range of values in the text
50/60	A set of mutually exclusive values in the text
<SET>	A button on the product's control panel
<b>Settings</b>	A product function or a menu option
<b>MENU &gt; Settings</b>	A sequence of menu options
<b>1–10</b>	A range of menu values from which to choose in a menu
<b>Yes/No</b>	A set of two mutually exclusive menu options in a menu
<b>ON</b>	A unique value to enter or select in a menu



There are no user-serviceable parts inside this product. Any reference to servicing you may find in this User Manual will only apply to properly certified ILUMINARC technicians. Do not open the housing or attempt any repairs unless you are certified to do so.



Please refer to all applicable local codes and regulations for the proper installation of this product.



Keep this manual for future consultation. If you sell this product to another user, make sure that they also receive this manual.



In the unlikely event that your Colorist Pod 1Qa may require service, please contact ILUMINARC Technical Support.



Please consult with an Illuminarc Sales Representative on the suitability of this product for your installation. Failure to follow these guidelines or the recommendations of the Illuminarc Sales Representative may result in the product warranty being rendered VOID and any repair cost being the sole responsibility of the buyer.

## Safety Notes

Please read all the following Safety Notes carefully because they include important information on how to install, use, and maintain this product safely.

### Personal Safety

- Avoid direct eye exposure to the light source while the product is on.
- Always disconnect this product from its power source before servicing.
- Always connect this product to a grounded circuit to avoid the risk of electrocution.
- Do not touch this product's housing when operating because it may be very hot.

### Mounting and Installation

- This product is for indoor and limited outdoor use (IP65).
- Not for permanent outdoor installation in locations with extreme environmental conditions. This includes, but is not limited to:
  - Exposure to a marine/saline environment (within 3 miles of a saltwater body of water).
  - Where the normal high or low temperatures of the location exceed the temperature ranges in this manual.
  - Locations that are prone to flooding or being buried in snow.
  - Other areas where the product will be subject to extreme radiation or caustic substances.
- **CAUTION:** When transferring product from extreme temperature environments, (e.g., cold truck to warm humid ballroom) condensation may form on the internal electronics of the product. To avoid causing a failure, allow product to fully acclimate to the surrounding environment before connecting it to power.
- Make sure there are no flammable materials close to this product while it is operating.
- When hanging this product, always secure it to a fastening device using a safety cable (not provided).

### Power and Wiring

- To eliminate unnecessary wear and improve its lifespan, during periods of non-use completely disconnect the product from power via breaker or by unplugging it.
- Always make sure that you are connecting this product to the proper voltage, as per the specifications in this manual or on the product's sticker.
- Never connect this product to a dimmer pack.
- Make sure that the power input cable is not cracked, crimped, or damaged.
- Never disconnect this product by pulling on the power input cable.

### Operation

- The maximum ambient temperature range is -20 °F to 110 °F (-29 °C to 43 °C). Do not operate this product outside these temperatures.
- In case of a serious operating problem, stop using this product immediately!

## 2. Product Description

The Colorist Pod 1Qa is an LED wash light intended to light a variety of both indoor and outdoor applications. The product consists of a cast aluminum body containing a power supply, control unit, and an adjustable bracket. The DMX input and output is located on the rear of the product.

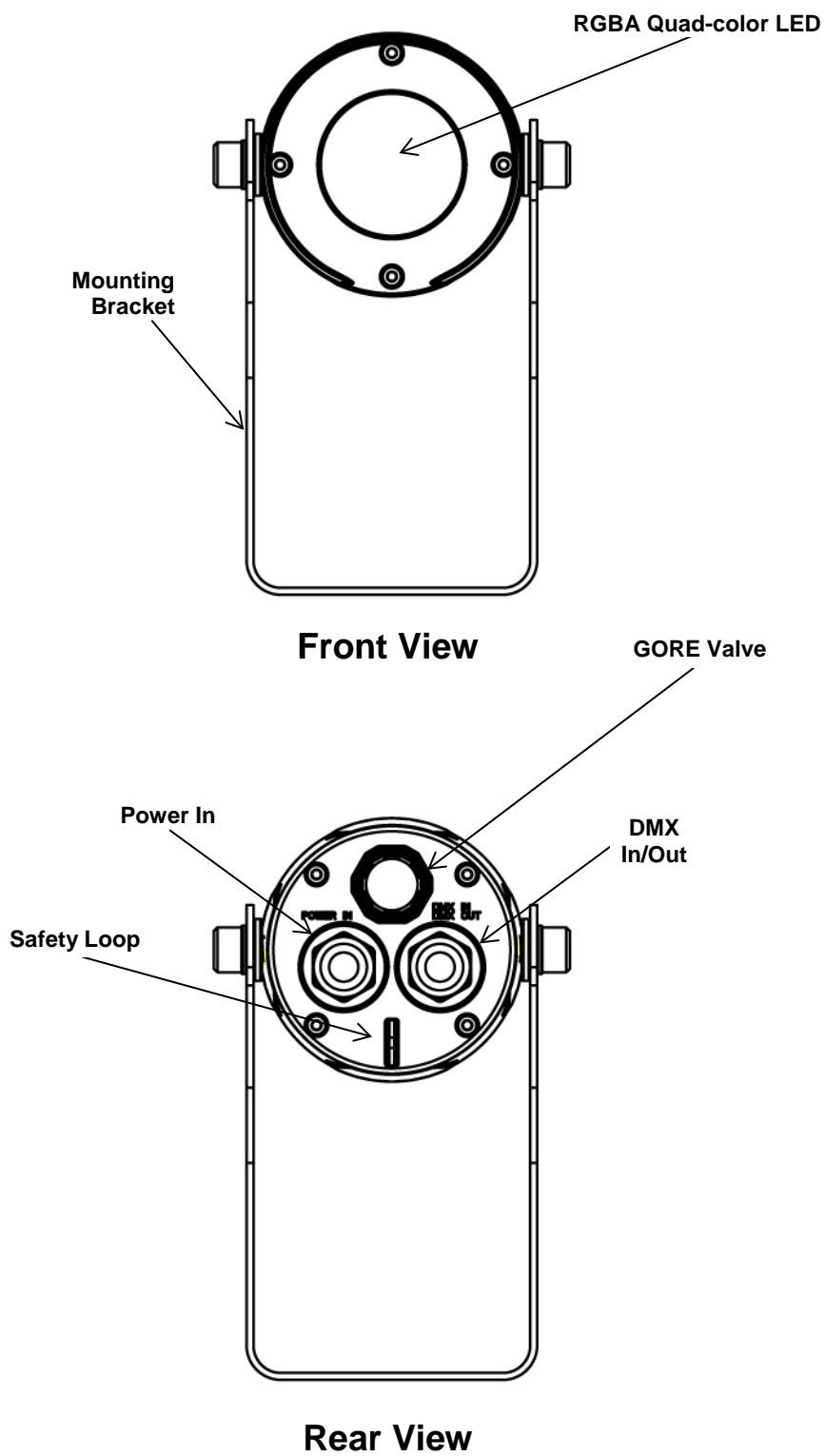
### Features

- 1-, 4-, 5-, 6-, 7- or 10-channel RGBA quad-color LED wash product
- Operating personalities:
  - 1-channel: Dimmer
  - 4-channel: RGBA
  - 5-channel: RGBA, dimmer
  - 6-channel: RGBA, dimmer, strobe
  - 7-channel: RGBA, dimmer, strobe, color macro, dimmer profile
  - 10-channel: RGBA, dimmer, strobe, color macro, auto, speed, dimmer profile
- RGBA color mixing with or without DMX control
- Built-in automated programs via DMX
- Pre-programmed color macros
- Built-in color temperature presets
- Five distinct dimming curves
- Adjustable bracket
- Impact resistant glass lens cover
- Extruded aluminum, IP65 housing

### Additional Requirements

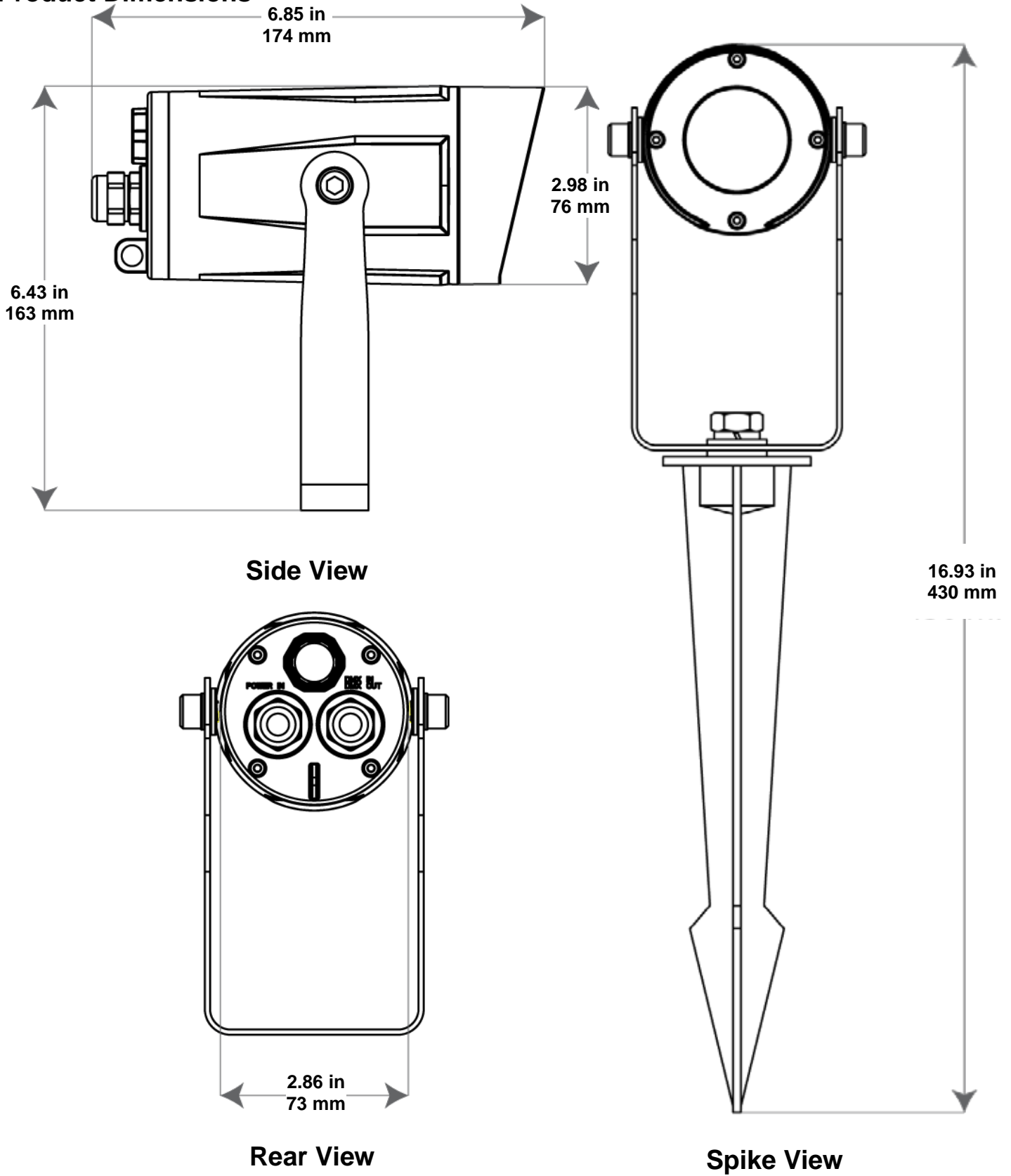
- RDM2go (for product configuration)  
or
- ILUMICODE addresser (for product configuration)

### Product Overview





**Product Dimensions**



## 3. Installation



Make sure to mount this product away from any flammable material as indicated in the [Safety Notes](#).



Not for permanent outdoor installation in locations with extreme environmental conditions.

### Mounting

Before mounting this product, read and follow the safety recommendations indicated in the [Safety Notes](#).

### Orientation

Always mount this product in a safe position, making sure there is adequate room for ventilation, configuration, and maintenance.

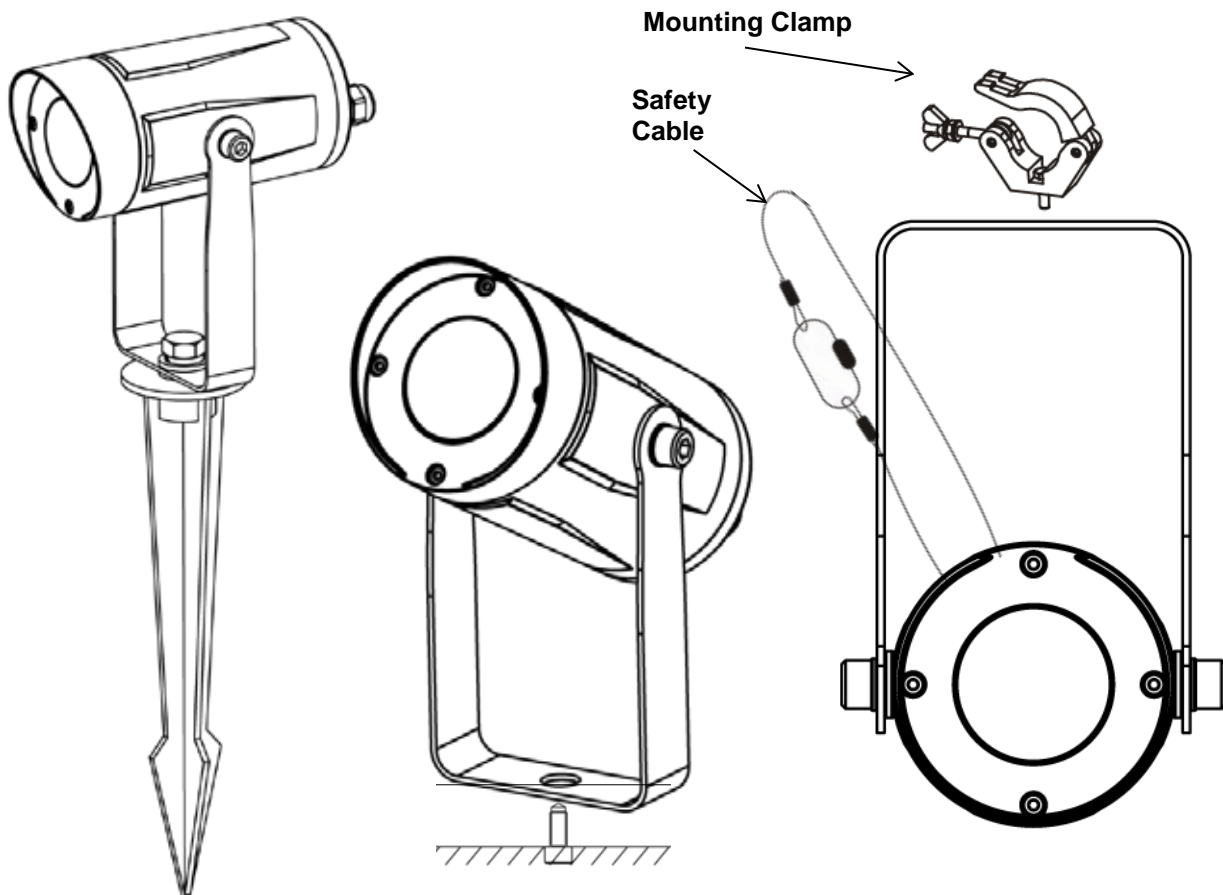
### Installation


ILUMINARC recommends following the general guidelines below when mounting the Colorist Pod 1Qa.


- When selecting an installation location, consider ease of access to the product for operation, programming adjustments and routine maintenance.
- Not for permanent outdoor installation in locations with extreme environmental conditions.
- Make sure the product's mounting location can support its weight. See the [Technical Specifications](#) for the weight requirement(s) of this product.


### Procedure


The Colorist Pod 1Qa comes with a mounting bracket with a single M12 hole. Connect clamps for truss mounting, attach the included stake to mount in the ground or mount directly to any flat surface. Be sure that all mounting points are capable of supporting the weight of this product.





 Always connect the Colorist Pod 1Qa to a protected circuit with an appropriate electrical ground to avoid the risk of electrocution or fire.

 Never connect the Colorist Pod 1Qa to a rheostat (variable resistor) or dimmer circuit, even if the rheostat or dimmer channel serves only as a 0–100% switch.

 Make sure to connect the Colorist Pod 1Qa to a power line with the proper voltage and frequency, as per the specifications in this manual or on the product's sticker.

 To eliminate unnecessary wear and improve its lifespan, during periods of non-use completely disconnect the product from power via breaker or by unplugging it.

 The listed current rating indicates the maximum current draw during normal operation.

 When connecting the Colorist Pod 1Qa to local power, it may be necessary to use the local-to-IP65 adapters supplied with this product.

## AC Power

The Colorist Pod 1Qa has an auto-ranging power supply that works with an input voltage range of 100–240 VAC, 50/60 Hz.

Make sure that you are connecting this product to the proper voltage, as per the specifications in this User Manual or on the product's sticker.

## Power Consumption

To determine the power requirements for the Colorist Pod 1Qa, refer to the label affixed to the side of the product. You may also refer to the [Technical Specifications](#).

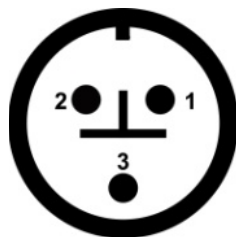
The listed current rating indicates the maximum current draw during normal operation.

## AC Plug

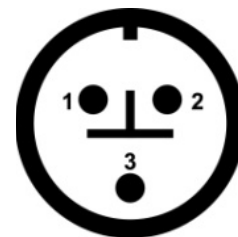
The Colorist Pod 1Qa comes with an IP65 power input cord terminated with a proprietary IP65 connector and an IP65-to-Edison power cord adapter. If the power cord adapter that came with your product has no plug or you need to change the Edison plug, use the table below to wire the new plug.

Connection	Wire (U.S.)	Screw Color (U.S.)	Wire (Europe)	IP65 Pin
AC Live	Black	Yellow or Brass	Brown	1
AC Neutral	White	Silver or Gray	Blue	2
AC Ground	Green/Yellow	Green	Green/Yellow	3

## IP65 Power Connector Pins



Male



Female



The Colorist Pod 1Qa must be linked using DMX cable in a daisy chain (serial) fashion. To comply with the EIA-485 standard, no more than 32 products should be connected on one daisy chain without using a DMX optically isolated splitter. Doing otherwise may result in deterioration of the digital DMX signal.



USITT recommends limiting the total length of the DMX cable (from the first product/controller to the last product) to 300–455 m (985–1,500 ft).



When not using the Power Output, DMX Input or DMX Output connectors, you must seal the cable ends with the supplied caps.

## DMX Linking

You may link the Colorist Pod 1Qa to a DMX controller using a standard DMX serial connection. If using other DMX products compatible with the Colorist Pod 1Qa, you can control each individually with a single DMX controller.

If you are not familiar with the DMX standard, or if you need information about the DMX cables needed to link the Colorist Pod 1Qa to a DMX controller, you may download the “DMX Primer” from the ILUMINARC website at <http://www.iluminarc.com/reports/dmx-primer>.

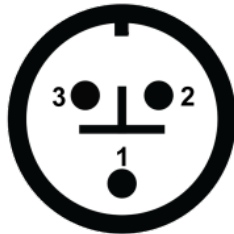
## DMX Connection

The Colorist Pod 1Qa uses a regular DMX data connection for its DMX personalities: **1ch, 4ch, 5ch, 6ch, 7ch, and 10ch.**

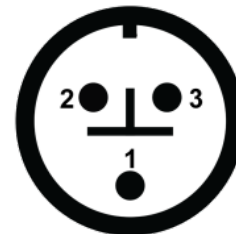
## IP65 DMX Cable Table

Connection	DMX (U.S.)	DMX (Europe)	IP65 Pin
Ground	Shield	Shield	1
Data -	White	Blue	2
Data +	Red	Brown	3

## IP65 DMX Connector Pins



Male



Female

**i** If you have not configured the DMX starting address and DMX personality for each product, they will all use their default values. This means that all products will operate in unison.

### DMX Personality

The Colorist Pod 1Qa uses the standard DMX data connection for its 5 DMX personalities as per the table below. Refer to the [Introduction](#) chapter for a brief description of these personalities. Refer to the [Operation](#) chapter to learn how to configure the Colorist Pod 1Qa to work in these personalities. The [DMX Values](#) section provides detailed information regarding the DMX personalities.

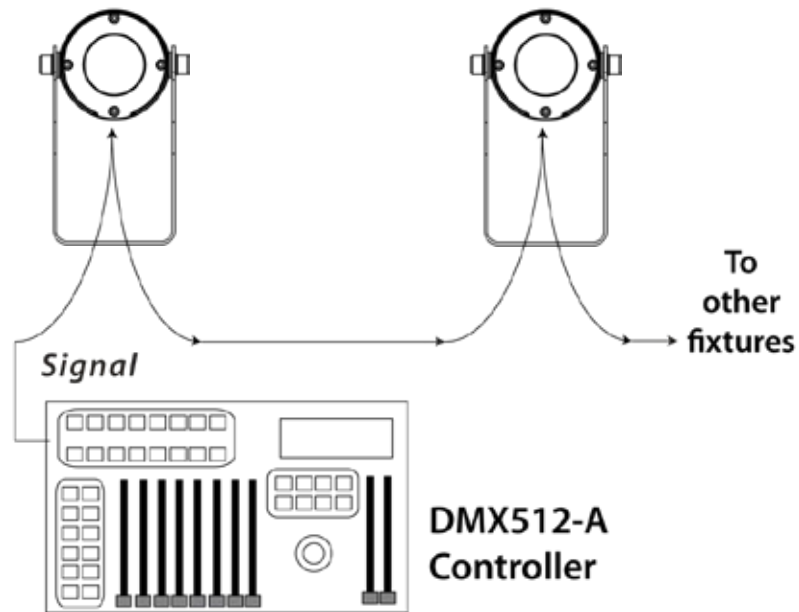
DMX Personality	DMX Address	DMX Personality	DMX Address
1ch	512	4ch	509
5ch	508	6ch	507
7ch	506	10ch	503

### Controllers

The Colorist Pod 1Qa IP can operate with a standard DMX controller, RDM2go, or the ILUMICODE addresser. The sections below provide information on how to connect these products to the corresponding controllers. The instructions to operate these products with each of the above controllers are in the [Operation](#) section of this manual.

#### DMX Controller

The Colorist Pod 1Qa can work with a standard DMX controller. The channel assignments will depend on the chosen DMX personality (see the corresponding [Menu Map](#) section) and the DMX address assigned to each product (see the [Programming](#) section). The figure below illustrates how to connect the DMX controller to the Colorist Pod 1Qa.



### Remote Device Management (RDM)

Remote Device Management, or RDM, is a standard for allowing DMX-enabled devices to communicate bi-directionally along existing DMX cabling. Check the DMX controller’s User Manual or with the manufacturer as not all DMX controllers have this capability. The Colorist Pod 1Qa supports RDM protocol that allows feedback to make changes to menu map options.

**i** To assign individual DMX addresses to each product, you must connect the Ilumicode to each product, individually or use an RDM2go.

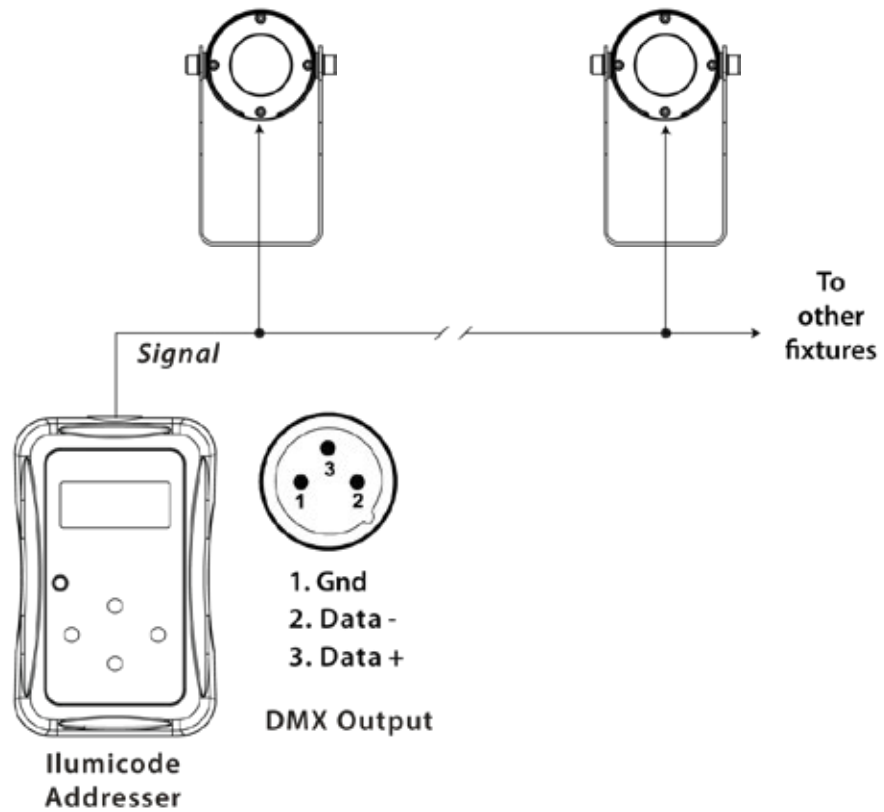
**i** ILUMINARC suggests that you connect no more than 20 products in this mode and keep the total distance to less than 60 m (197 ft). Otherwise, you might need to use an optically isolated signal amplifier.

### Ilumicode addresser/RDM2go

The Colorist Pod 1Qa uses the Ilumicode addresser (Ilumicode) or an RDM2go for configuration purposes. The diagram below shows how to connect the Ilumicode/RDM2go to this product. This connection will control multiple products at the same time.

To assign individual DMX addresses to each product, you must connect the Ilumicode to each product, individually. However, by using the RDM2go, you may address each product in the daisy chain to a different DMX address by using the RDM function without the need connect to each individual product.

**Important: The Ilumicode/RDM2go must be used to configure this product. The Ilumicode/RDM2go can be purchased separately through your ILUMINARC sales representative.**



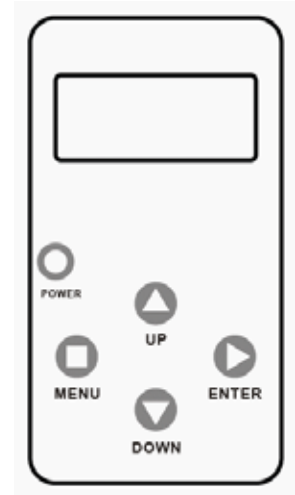
## 4. Operation

### ILUMICODE ADDRESSER

The Colorist Pod 1Qa needs an external controller, the Ilumicode addresser (Ilumicode) or RDM2go, to change its configuration.

#### Ilumicode Panel Description

Button	Function
<MENU>	Exits from the current menu or function.
<ENTER>	Enables the currently displayed menu or sets the currently selected value into the selected function.
<UP>	Navigates upwards through the menu list and increases the numeric value when in a function.
<DOWN>	Navigates downwards through the menu list and decreases the numeric value when in a function.
<POWER>	Turns the unit on. The unit will turn off automatically after 30 seconds of inactivity.



### Control Options

You can set the Colorist Pod 1Qa start address in the **001–512** DMX range. This allows for the control of up to 52 products in the 10-channel **10ch** personality.

### DMX Programming

Carry out all the programming procedures indicated below from the control panel. Refer to the [Menu Map](#) section to learn how the menu options relate to each other.

Use <ENTER> and <MENU> to change levels in the Menu Map, moving right and left respectively. Use <UP> and <DOWN> to move vertically within the Menu Map.

### DMX Personality

1. Go to **PERSON** and select any DMX personality.
2. Make sure to rearrange the DMX addresses of all products in the current DMX universe to avoid address overlapping.

### DMX Starting Address

1. Go to **DMX**.
2. Select a starting DMX address (**001–512**).

### Static Colors

1. Go to **STATIC**.
2. Select a color or effect (**RED, GREN, BLUE, COOL, WARM, STRB, SOLD, or AMBR**).
3. Select a color value (**000–255**) or a strobe frequency (**00–20**).

### Dimmer

This setting gives the user four different options to simulate the dimming curve of an incandescent lighting product.

1. Go to **DIMMER**.
2. Select a dimming curve (**OFF** or **DIM1–4**).



**DIM1** is the fastest dimming curve and **DIM4** is the slowest.

#### Procedure:

DIMMER	Description
<b>OFF</b>	Dimmer curve is linear with fader
<b>DIM1</b>	Non-linear (fastest)
<b>DIM2</b>	Non-linear (fast)
<b>DIM3</b>	Non-linear (slow)
<b>DIM4</b>	Non-linear (slowest)

### Color

1. Go to **SETTINGS > COLOR**.
2. Select the color method (**OFF, RGBTOW, or UC**).

#### Details:

##### OFF

When the RGB faders are all set to **255**, the output is maximum.

##### RGB TO W

When the RGB faders are all set to **255**, the output is the selected White color (see **Whites Setting**).

##### UC

When the RGB faders are all set to **255**, the output matches the same color output of previous versions of this product.

### Whites Setting

1. Go to **CALIB**.
2. Select a white color (**WHITE 01–11** or **RGBTOW**).
3. Select an RGB color (**RED, GREN, BLUE, COOL, WARM, or AMBR**).
4. Configure the color value (**000–255**).
5. Repeat steps 3 and 4 for the other RGB colors to obtain a white color.
6. Repeat steps 2 through 5 for the other white colors.

### Reset to Factory Settings

1. Go to **SETTINGS > RESET**.
2. Select an option (**YES/NO**).



### Ilumicode Menu Options

Main Level	Programming Levels			Description
DMX	001-512			Sets the DMX starting address
PERSON	ARC FULL			7-channel: RGB control, dimmer, color macro, strobe, dimmer speed
	ARC2			4-channel: RGBA control
	ARC2+D			5-channel: RGBA control + dimmer
	SOLID			1-channel: dimmer
CALIB	WHITE01-11	RED GREN BLUE COOL WARM AMBR	000-255	Determines the white balance for the color macros
	RGBTOW			Determines the white balance when RGBTOW is active
DIMMER	OFF			Dimmer works in linear mode
	DIM 1			Dimmer works in non-linear mode, from fast to slow
	DIM 2			
	DIM 3			
	DIM 4			
STATIC	RED	000-255		Configures the static color and effect
	GREN			
	BLUE			
	COOL			
	WARM			
	AMBR			
	SOLD			
	STRB	00-20		
SETTINGS	COLOR	OFF	Maximum output, unbalanced white	
		RGBTOW	White output is as per CALIB > RGBTOW settings	
		UC	Output matches that of product's previous versions	
	RESET	NO/YES	Restores factory defaults	



Only the Ilumicode Addresser and the RDM2go can access the Ilumicode menu options.

### RDM Menu Options

Main Level	Programming Levels	Description
Pers	Mode 1 - 1ch	1-channel: dimmer
	Mode 2 - 4ch	4-channel: RGBA control
	Mode 3 - 5ch	5-channel: RGBA control, dimmer
	Mode 4 - 6ch	6-channel: RGBA control, dimmer, strobe
	Mode 5 - 7ch	7-channel: RGBA control, dimmer, strobe, color macro, dimmer speed
	Mode 6 - 10ch	10-channel: RGBA control, dimmer, strobe, color macro, auto program, auto speed, dimmer speed
Start Address	001-512	Sets the DMX starting address

**DMX Values**

10ch	Channel	Function	Value	Percent/Setting
	1	Dimmer	000 ó 255	0–100%
	2	Red	000 ó 255	0–100%
	3	Green	000 ó 255	0–100%
	4	Blue	000 ó 255	0–100%
	5	Amber	000 ó 255	0–100%
	6	Strobe	000 ó 010 011 ó 255	No function Slow to fast
	7	Color Macro + White Balance	000 ó 010 011 ó 030 031 ó 050 051 ó 070 071 ó 090 091 ó 110 111 ó 130 131 ó 150 151 ó 170 171 ó 200 201 ó 205 206 ó 210 211 ó 215 216 ó 220 221 ó 225 226 ó 230 231 ó 235 236 ó 240 241 ó 245 246 ó 250 251 ó 255	No function R: 100% G: 0–100% B: 0 R: 100%–0 G: 100% B: 0 R: 0 G: 100% B: 0–100% R: 0 G: 100%–0 B: 100% R: 0–100% G: 0 B: 100% R: 100% G: 0 B: 100%–0 R: 100% G: 0–100% B: 0–100% R: 100%–0 G: 100%–0 B: 100% RGBA: 100% White 1 White 2 White 3 White 4 White 5 White 6 White 7 White 8 White 9 White 10 White 11
	8	Auto Programs	000 ó 051 052 ó 101 102 ó 152 153 ó 203 204 ó 254 255	No function Auto Program 1 Auto Program 2 Auto Program 3 Auto Program 4 Auto Program 5
	9	Auto Speed	000 ó 255	Auto program speed (slow to fast)
	10	Dimming Profiles	000 ó 051 052 ó 101 102 ó 152 153 ó 203 204 ó 255	Preset dimmer speed from display menu Dimmer profile off (linear dimmer) Nonlinear dimming profile 1 (fastest) Nonlinear dimming profile 2 Nonlinear dimming profile 3 (slowest)
6ch	Channel	Function	Value	Percent/Setting
	1	Dimmer	000 ó 255	0–100%
	2	Red	000 ó 255	0–100%
	3	Green	000 ó 255	0–100%
	4	Blue	000 ó 255	0–100%
	5	Amber	000 ó 255	0–100%
	6	Strobe	000 ó 010 011 ó 255	No function Slow to fast

**DMX Values (Cont.)**

7ch	Channel	Function	Value	Percent/Setting
	1	Dimmer	000 ó 255	0–100%
	2	Red	000 ó 255	0–100%
	3	Green	000 ó 255	0–100%
	4	Blue	000 ó 255	0–100%
	5	Amber	000 ó 255	0–100%
	6	Strobe	000 ó 010 011 ó 255	No function Slow to fast
	7	Color Macro + White Balance	000 ó 010 011 ó 030 031 ó 050 051 ó 070 071 ó 090 091 ó 110 111 ó 130 131 ó 150 151 ó 170 171 ó 200 201 ó 205 206 ó 210 211 ó 215 216 ó 220 221 ó 225 226 ó 230 231 ó 235 236 ó 240 241 ó 245 246 ó 250 251 ó 255	No function R: 100% G: 0–100% B: 0 R: 100%–0 G: 100% B: 0 R: 0 G: 100% B: 0–100% R: 0 G: 100%–0 B: 100% R: 0–100% G: 0 B: 100% R: 100% G: 0 B: 100%–0 R: 100% G: 0–100% B: 0–100% R: 100%–0 G: 100%–0 B: 100% RGBA: 100% White 1 White 2 White 3 White 4 White 5 White 6 White 7 White 8 White 9 White 10 White 11

5ch	Channel	Function	Value	Percent/Setting
	1	Dimmer	000 ó 255	0–100%
	2	Red	000 ó 255	0–100%
	3	Green	000 ó 255	0–100%
	4	Blue	000 ó 255	0–100%
	5	Amber	000 ó 255	0–100%

4ch	Channel	Function	Value	Percent/Setting
	1	Red	000 ó 255	0–100%
	2	Green	000 ó 255	0–100%
	3	Blue	000 ó 255	0–100%
	4	Amber	000 ó 255	0–100%

1ch	Channel	Function	Value	Percent/Setting
	1	Dimmer	000 ó 255	0–100%

## 5. Technical Information

### Product Maintenance

To maintain optimum performance and minimize wear, clean the products frequently. Usage and environment are contributing factors in determining the cleaning frequency. As a general guideline, products should be cleaned at least twice a month. Dust build-up reduces light output, performance, and can cause overheating. This can lead to reduced light source life. For products containing external optical lenses, clean them periodically to optimize light output. The cleaning frequency depends on the environment in which the product operates. Damp, smoky, or particularly dirty surrounding can cause greater accumulation of dirt on the product's optics, requiring more frequent cleaning.

To clean a product:

1. Unplug the product from power.
2. Wait until the product is at room temperature.
3. Use a vacuum (or dry compressed air) and a soft brush to remove dust collected on the external vents and reachable internal components.
4. Clean all external glass optics and glass surfaces with a mild solution of glass cleaner or isopropyl alcohol, and a soft, lint-free cotton cloth or lens-cleaning tissue.
5. Clean all plastic surfaces, including LED lenses, with mild soapy water and a soft, lint-free cotton cloth or a lens-cleaning tissue.
6. Apply the solution directly to the cloth or tissue and wipe any dirt and grime to the outside edge of the lens.
7. Gently polish the external glass surfaces until they are free of haze and lint.



Always dry the external optics and glass surfaces carefully after cleaning them.



If you still experience technical problems, contact

[ILUMINARC Technical Support](#).

### Product Repairs

ILUMINARC strongly advises you against attempting any repairs to this product unless you are an authorized ILUMINARC technician.

### Photometrics

**Filename:** Colorist Pod 1Qa-RGBA\_IESNA2002

**Manufacturer:** Iluminarc

**Luminaire:** Colorist Pod 1Qa

**Lamp:** LED

**Lamp Cat:** Full Output

**Lamp Output:** 1 lamp, rated Lumens/lamp: 241

**Max Candela:** 3,396.6 at Horizontal: 270°, Vertical: 2.5°

**Input Wattage:** 15.7

**Luminous Opening:** Circular (Dia: 0.5M)

**Test:** RGBA

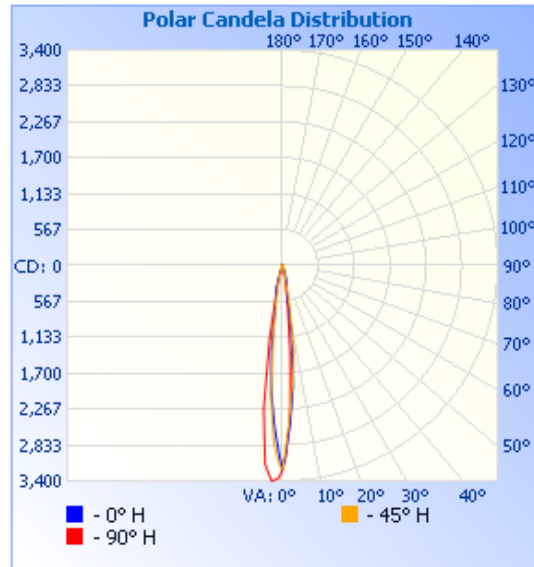
**Test Date:** 2014-08-12

**Test Lab:** Iluminarc Optics R&D Laboratory

**Photometry :** Type B

**Cutoff Class:** Full Cutoff

**Nema Type:** 2 X 2



**Flood Summary**

	Efficiency	Lumens	Horizontal Spread	Vertical Spread
Field (10%):	67.1%	161.8	22.5	26.8
Beam (50%):	32%	77.1	13	10.9
<b>Total:</b>	<b>94.9%</b>	<b>228.7</b>		

**Illuminance at a Distance**

	Center Beam LUX	Beam Width	
1.67M	<b>1,161 LUX</b>	<b>0.32 M</b>	<b>0.38 M</b>
3.33M	<b>290 LUX</b>	<b>0.64 M</b>	<b>0.76 M</b>
5.00M	<b>129 LUX</b>	<b>0.95 M</b>	<b>1.14 M</b>
6.67M	<b>72.6 LUX</b>	<b>1.27 M</b>	<b>1.52 M</b>
8.33M	<b>46.5 LUX</b>	<b>1.59 M</b>	<b>1.90 M</b>
10.00M	<b>32.3 LUX</b>	<b>1.91 M</b>	<b>2.28 M</b>

■ Vert. Spread: 10.9°  
 ■ Horiz. Spread: 13.0°

## LED Disclaimer

### LED Life

ILUMINARC rates LED lifetime based on lumen depreciation of 70% of the original output, with data provided by the manufacturer of the LED. Data from the manufacturer of the LED are not independently verified or measured by ILUMINARC. When the product is operating in optimal environmental conditions, the LED lifetime is rated to be 50,000 to 70,000 hours by the LED manufacturer.

### LED Binning

LED manufacturers sort LEDs into “bins,” based on variances in color, output intensity, and the frequency at which the semiconductor operates. ILUMINARC strives to hold its LED manufacturers to the highest standards of binning to optimize consistency in output from product to product. However, the availability of a single bin cannot be guaranteed. With that in mind, ILUMINARC has developed a rigorous control system to seek the best-achievable consistency in color and output.

### Color Rendering Index (CRI)

CRI is an industry standard method to compare properties of different types of light sources. There are known limitations and inconsistencies related to CRI. Results may vary depending on the environmental factors involved. For this reason, the U.S. Department of Energy (DOE) states that CRI should be considered as one point of reference among others in evaluating white LED products and systems.

The following is an excerpt of recommendations from the DOE:

1. Identify the visual tasks to be performed under the light source. If color fidelity under different light sources is critically important (for example, in a space where color or fabric comparisons are made under both daylight and electric lighting), CRI values may be a useful metric for rating LED products.
2. CRI may be compared only for light sources of equal correlated color temperature. This applies to all light sources, not only to LEDs. Also, differences in CRI values of less than five points are not significant, e.g., light sources with 80 and 84 CRI are essentially the same.
3. If color appearance is more important than color fidelity, do not exclude white light LEDs solely on the basis of relatively low CRI values. Some LED products with CRIs as low as 25 still produce visually pleasing white light.
4. Evaluate LED systems in person and, if possible, on-site when color fidelity or color appearance are important issues.

Source: DOE publication: PNNL-SA-56891, January 2008.

## Return Procedure



ILUMINARC reserves the right to use its own discretion to repair or replace returned product(s).

You must send the merchandise prepaid, in the original box, and with its original packing and accessories. ILUMINARC will not issue call tags.

Call ILUMINARC and request a Return Merchandise Authorization Number (RMA #) before shipping the product. Be prepared to provide the model number, serial number, and a brief description of the cause for the return.

The user must clearly label the package with an RMA #. ILUMINARC will refuse any product returned without an RMA #. **DO NOT write the RMA # directly on the box. Instead, write it on a properly affixed label.**

**Once you receive the RMA #, please include the following information on a piece of paper inside the box:**

- Your name
- Your address
- Your phone number
- The RMA #
- A brief description of the problem

Be sure to pack the product properly. Any shipping damage resulting from inadequate packaging will be the customer's responsibility. Proper FedEx packing or double-boxing are recommended.



Always keep the original box and all packaging material as you will need those to ship the product back to ILUMINARC.

## Contact Us

General Information	Technical Support
<b>Chauvet World Headquarters</b>	
Address: 5200 NW 108th Avenue Sunrise, FL 33351 Voice: (954) 577-4455 Toll free: (800) 762-1084	Voice: (844) 393-7575 Email: <a href="mailto:support@iluminarc.com">support@iluminarc.com</a>  Website: <a href="http://www.iluminarc.com">www.iluminarc.com</a>
<b>Chauvet Europe Ltd</b>	
Address: Unit 1C Brookhill Road Industrial Estate Pinxton, Nottingham, UK NG16 6NT Voice: +44 (0)1773 511115	Email: <a href="mailto:uktech@chauvetlighting.com">uktech@chauvetlighting.com</a>  Website: <a href="http://www.chauvetlighting.co.uk">www.chauvetlighting.co.uk</a>
<b>Chauvet Europe BVBA</b>	
Address: Stokstraat 18 9770 Kruishoutem Belgium Voice: +32 9 388 93 97	Email: <a href="mailto:Eutech@chauvetlighting.com">Eutech@chauvetlighting.com</a>  Website: <a href="http://www.chauvetlighting.eu">www.chauvetlighting.eu</a>
<b>Chauvet France</b>	
Address: 3, Rue Ampère 91380 Chilly-Mazarin France Voice: +33 1 78 85 33 59	Email: <a href="mailto:Eutech@chauvetlighting.com">Eutech@chauvetlighting.com</a>  Website: <a href="http://www.chauvetlighting.eu">www.chauvetlighting.eu</a>
<b>Chauvet Germany</b>	
Address: Bruno-Bürgel-Str. 11 28759 Bremen Germany Voice: +49 421 62 60 20	Email: <a href="mailto:Eutech@chauvetlighting.com">Eutech@chauvetlighting.com</a>  Website: <a href="http://www.chauvetlighting.eu">www.chauvetlighting.eu</a>
<b>Chauvet Mexico</b>	
Address: Av. de las Partidas 34-3B (Entrance by Calle 2) Zona Industrial Lerma Lerma, Mexico C.P. 52000 Voice: +52 (728) 690-2010	Email: <a href="mailto:servicio@iluminarc.com.mx">servicio@iluminarc.com.mx</a>  Website: <a href="http://www.chauvet.com.mx">www.chauvet.com.mx</a>

Outside the U.S., U.K., Ireland, Benelux, France, Germany, or Mexico, contact the dealer of record. Follow the instructions to request support or to return a product. Visit our website for contact details

## 6. Technical Specifications

<b>Dimensions and Weight</b>	<b>Length</b>	<b>Width</b>	<b>Height</b>	<b>Weight</b>
	6.85 in (174 mm)	4.09 in (104 mm)	6.43 in (163 mm)	3.6 lb (1.6 kg)
<b>Note:</b> Dimensions and Weight are rounded to the nearest decimal digit.				
<b>Electrical</b>	<b>Power Supply Type</b>	<b>Range</b>	<b>Voltage Selection</b>	
	Switching (internal)	100–240 VAC, 50/60 Hz	Auto-ranging	
	<b>Parameter</b>	<b>120 V, 60 Hz</b>	<b>230 V, 50 Hz</b>	
	Consumption	14 W (0.209 A)	13 W (0.113 A)	
	<b>Power I/O</b>	<b>Input</b>	<b>Output</b>	
	Connectors	IP65 Input power	IP65 Output power	
	Cord plug	Edison	N/A	
<b>Light Source</b>	<b>Type</b>	<b>Power</b>	<b>Lifespan</b>	
	LED	10 W	50,000 hours	
	<b>Color</b>	<b>Quantity</b>	<b>Current</b>	
	Quad-color RGBA	1	712 mA	
<b>Photometrics</b>	<b>Parameter</b>	<b>Standard Optics</b>		
	Lumens	229		
	Efficacy	14.6 lm/W		
	Illuminance @ 5 m	225 lx		
	Beam angle	13°		
	Field angle	24°		
<b>Thermal</b>	<b>Max. External Temperature</b>	<b>Cooling System</b>		
	110 °F (43 °C)	Convection		
<b>DMX</b>	<b>I/O Connectors</b>	<b>Connector Type</b>	<b>Channel Range</b>	
	Proprietary IP65 3-pin	IP65	1, 4, 5, 6, 7, or 10	
<b>Ordering</b>	<b>Product Name</b>	<b>Item Code</b>	<b>UPC Code</b>	
	Colorist Pod 1Qa	03631070	781462214180	



UL 1573  
 CSA C22.2 No. 166  
 E113093





