

ILUMINARC®

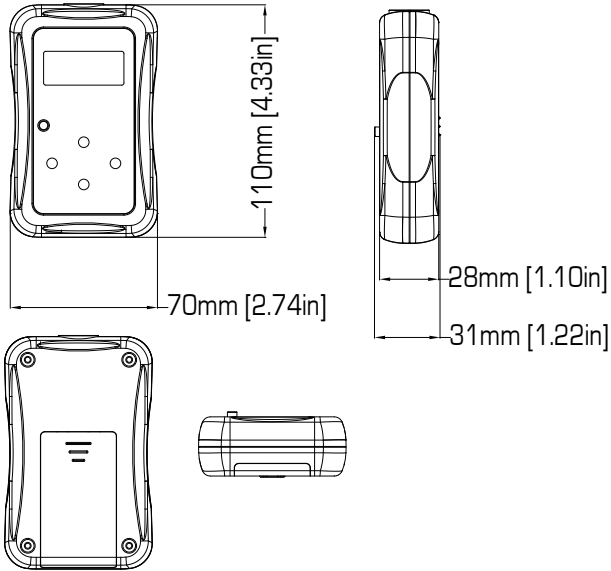
ILUMICODE

Item Number: 44444001

Client: _____

Project: _____

Date: _____ Type: _____



CONSTRUCTION & PHYSICAL SPECIFICATIONS

Length: 4.3 in (110 mm)
Width: 2.75 in (70 mm)
Height: 1 in (28 mm)
Weight: 0.5 lb (0.2 kg)
Color: Gray
Ingress Protection Rating: IP20
Housing Material: ABS plastic

CONTROL SPECIFICATIONS

Signal Pin Out: 1=GND, 2=SIG (-), 3=SIG (+)
Operating Modes: Selectable personalities

- PERS 1 : ARC1
- PERS 2 : ARC1+D
- PERS 3 : ARC2
- PERS 4 : ARC2+D
- PERS 5 : ARC3
- PERS 6 : ARC3+D
- PERS 7 : ARC FULL
- PERS 8 : REMOTE
- PERS 9 : SOLID
- PERS 10 : SPECIAL1
- PERS 11 : SPECIAL2
- PERS 12 : VV
- PERS 13 : VV+D

Stand Alone Control: Yes

ELECTRICAL SYSTEM SPECIFICATIONS

Battery: 2 (1.5 VDC) AA size

REGULATORY & VOLUNTARY QUALIFICATION

Certification Listings: CE, RoHS

Product
Web Page



WWW.ILUMINARC.COM - INFO@ILUMINARC.COM

Iluminarc reserves the right to make improvements to this product
and its specifications at anytime without notice.

ILUMINARC.
5200 NW 108th Ave.
Sunrise, FL 33351
+1.954.923.3680