

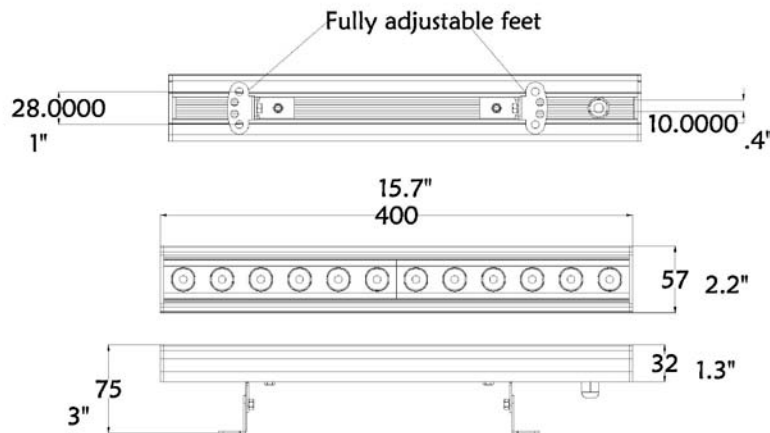
Illumiline LQgic™ 12 Optic 25x6 RGB
Item Number: 22012002

ILUMINARC®

SPECIFICATION



- Compatible with LQgic™ system devices
- Light weight and durable construction
- Plenum rated cable
- High power 1 W (350 mA) LEDs



Physical

Length: 15.8 in (400 mm)
Width: 2.2 in (57 mm)
Height: 3 in (75 mm)
Weight: 1.7 lbs (0.76 kg)

Optics

Light source: 12 x 1 W 350 mA (4 Red, 4 Green, 4 Blue) LEDs
Minimum LED lifetime: 50,000 hrs based on manufacturer's specifications

JOB INFORMATION Type: _____

Job Name: _____

Cat. Number: _____

Notes:

Ilumiline LQgic™ 12 Optic 25x6 RGB

Item Number: 22012002

ILUMINARC®

Construction	Color: Silver Housing: Extruded aluminum Lens cover: Frosted ABS Protection rating: IP20
Control	Determined by software installed into LQgic™ driver that has been selected
Installation	Orientation: Any Minimum distance to illuminated surface: 4 in (92 mm)
Connections	Power and data cable entry: Belden 1585A plenum rated with RJ45 connector 79 in (2,000 mm)
Electrical	Power supply: LQgic™ driver
Input current	350 mA @ 48 V
Power consumption	18.2 W
Thermal	Cooling: Convection Maximum ambient temperature (Ta max): 40° C (104° F)

Approvals



Included items Ilumiline LQgic™ 12 Optic RGB
Warranty Card
User Manual

Specification subject to change without notice

JOB INFORMATION Type: _____

Job Name: _____

Cat. Number: _____

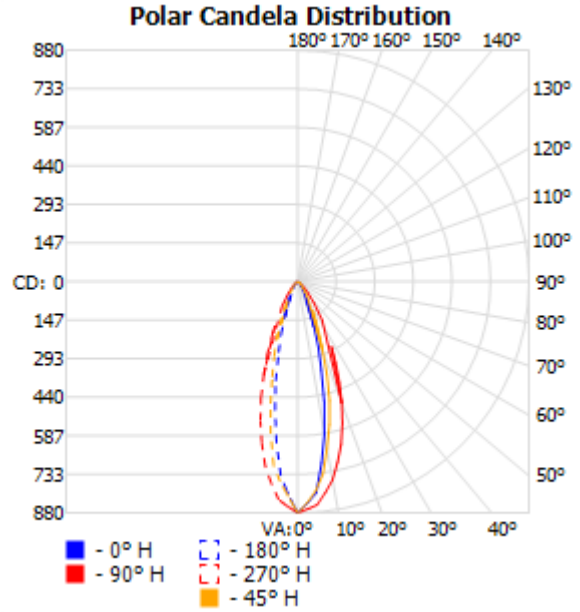
Notes:

Ilumiline LQgic™ 12 Optic 25x6 RGB

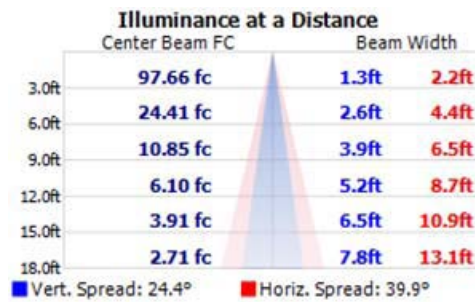
Item Number: 22012002

ILUMINARC®

Filename: Ilumiline Logic 12 Optic 25x6 RGB-G-
RGB_IESNA2002
 Manufacturer: ILUMINARC
 Luminaire: ILUMILINE LOGIC 12 OPTIC RGB 25x6 DEGREE
 Luminaire Cat: 22012002
 Lamp: 4 RED,4 GREEN,4 BLUE
 Lamp Output: 1 lamp(s), rated Lumens/lamp: 460
 Max Candela: 878.9 at Horizontal: 0, Vertical: 0
 Input Wattage: 18.2
 Luminous Opening: Point
 Test: 2009430RGB
 Test Lab: Iluminarc R&D Optics Laboratory
 Photometry : Type B
 CIE Class: Direct
 Cutoff Class: Full Cutoff



Flood Summary				
	Efficiency	Lumens	Horizontal Spread	Vertical Spread
Field (10%):	60.3%	277.2	73	49.7
Beam (50%):	30.4%	139.9	39.9	24.4
Total:	72.1%	331.7		



Photometrics Pro 1.3.2 copyright 2003-2008 by jSolutions, Inc.
 Reported data calculated from manufacturer's data file, based on IES recommended methods.

JOB INFORMATION Type: _____

Job Name: _____

Cat. Number: _____

Notes: