

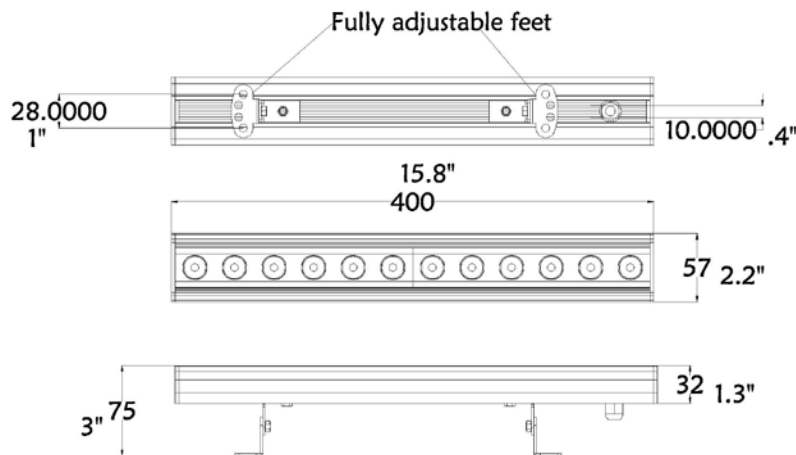
Illumiline LLogic™ 12 Optic 25x6 RGB  
Item Number: 22012002

ILUMINARC™

## SPECIFICATION



- Compatible with LLogic™ system devices
- Light weight and durable construction
- Plenum rated cable
- High power 1W (350mA) LEDs



### Physical

Length: 15.8in (400mm)  
Width: 2.2in (57mm)  
Height: 3in (75mm)  
Weight: 1.7lbs (0.76kg)

### Optics

Light source: 12 1W 350mA (4 Red, 4 Green, 4 Blue) LEDs  
Minimum LED lifetime: 50,000 hrs based on manufacturer's specifications

### Construction

Color: Silver  
Housing: Extruded aluminum  
Lens cover: frosted ABS  
Protection rating: IP20

Ilumiline LQgic™ 12 Optic 25x6 RGB  
Item Number: 22012002

ILUMINARC™

<b>Control</b>	Determined by software installed into LQgic™ driver that has been selected
<b>Installation</b>	Orientation: Any Minimum distance to illuminated surface: 4in (92mm)
<b>Connections</b>	Power and data cable entry: Belden 1585A plenum rated with RJ45 connector 79in (2000mm)
<b>Electrical</b>	Power supply: LQgic™ driver
<b>Input Current</b>	350mA @48v
<b>Power Consumption</b>	18.2W
<b>Thermal</b>	Cooling: Convection Maximum ambient temperature (Ta max): 40°C (104°F)

**Approvals**



**Included items**

Ilumiline LQgic™ 12 Optic RGB  
Warranty Card  
User Manual

Specification subject to change without notice

# Ilumiline LQgic™ 12 Optic 25x6 RGB

Item Number: 22012002

ILUMINARC™

Filename: Ilumiline Logic 12 Optic 25x6 RGB-G-  
RGB\_IESNA2002

Manufacturer: ILUMINARC

Luminaire: ILUMILINE LOGIC 12 OPTIC RGB 25x6 DEGREE

Luminaire Cat: 22012002

Lamp: 4 RED,4 GREEN,4 BLUE

Lamp Output: 1 lamp(s), rated Lumens/lamp: 460

Max Candela: 878.9 at Horizontal: 0, Vertical: 0

Input Wattage: 18.2

Luminous Opening: Point

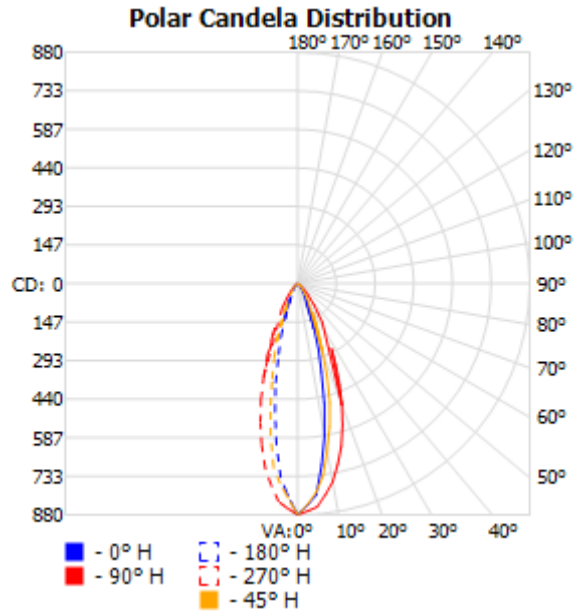
Test: 2009430RGB

Test Lab: Iluminarc R&D Optics Laboratory

Photometry : Type B

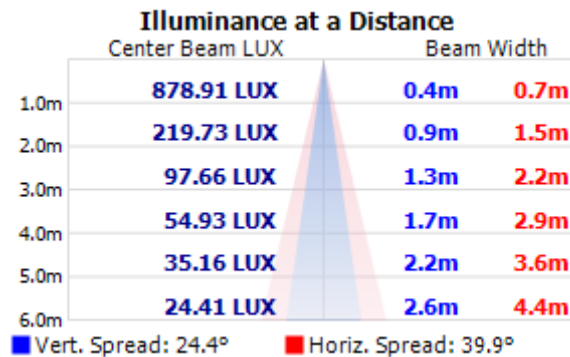
CIE Class: Direct

Cutoff Class: Full Cutoff



### Flood Summary

	Efficiency	Lumens	Horizontal Spread	Vertical Spread
Field (10%):	60.3%	277.2	73	49.7
Beam (50%):	30.4%	139.9	39.9	24.4
Total:	72.1%	331.7		



Photometrics Pro 1.3.2 copyright 2003-2008 by jSolutions, Inc.

Reported data calculated from manufacturer's data file, based on IES recommended methods.