

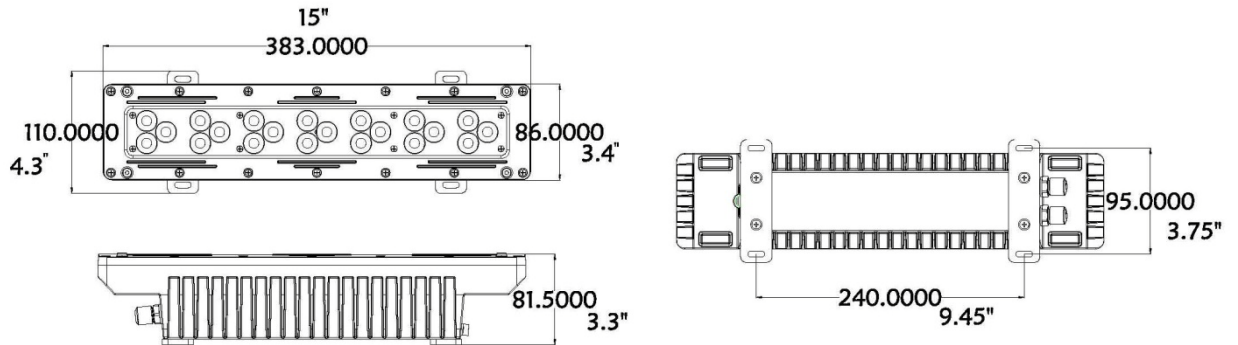
Illumiline 21 IP Optic 15 RGB
Item Number: 12021002

ILUMINARC™

SPECIFICATION



- 3, 4 or 7 channel DMX-512 LED wash light
- Blackout/static/dimmer/strobe/pulse
- IP67
- High power 1W (350mA) LEDs



Physical

Length: 15in (383mm)
Width: 4.3in (110mm)
Height: 3.3in (82mm)
Weight: 6.6lbs (3 kg)

Optics

Light source: 21 1W 350mA (7 Red, 7 Green, 7 Blue) LEDs
Minimum LED lifetime: 50,000 hrs based on manufacturer's specifications

Construction

Color: UV resistant gray powder coat, custom colors to special order
Housing: Cast and extruded aluminum
Lens cover: impact resistant glass
Protection rating: IP67

Control

Operating modes: 3 channel: red, green, blue
4 channel: dimmer, red, green, blue
7 channel: dimmer, red, green, blue, color macros, strobe, dimming speed

Control protocol: USITT DMX 512
Addresser: Ilumicode (item# 44444001)

Ilumiline 21 IP Optic 15 RGB

Item Number: 12021002



ILUMINARC™

Installation	Orientation: Any Minimum distance to illuminated surface: 4in (92mm)
Connections	Power cable length: 118in (3000mm) Power cable entry: IP67 stainless steel gland nut Data cable length: 118in (3000mm) Data cable entry: IP67 stainless steel gland nut
Electrical	AC power: 100-240V, 50/60Hz Power supply: internal, auto sensing, multi voltage
Power and Current	120V, 60Hz: 30W, 0.5A operating, .3A inrush 230V, 50Hz: 28W, 0.2A operating, .3A inrush
Thermal	Cooling: Convection Maximum ambient temperature (Ta max): 40°C (104°F)

Approvals



Included items

ILUMILINE 21 IP OPTIC RGB
Warranty Card
User Manual

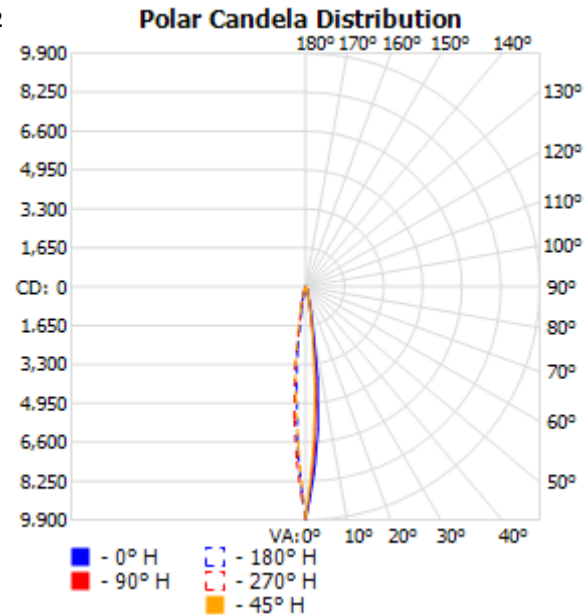
Specification subject to change without notice

Ilumiline 21 IP Optic 15 RGB

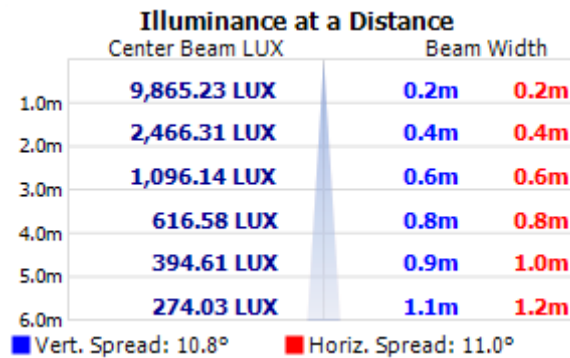
Item Number: 12021002

ILUMINARC

Filename: Ilumiline 21IP Optic 15 RGB-RGB_IESNA2002
 Manufacturer: ILUMINARC
 Luminaire: ILUMILINE 21IP OPTIC RGB 15 DEGREE
 Luminaire Cat: 12021002
 Lamp: 7 RED, 7 GREEN, 7 BLUE
 Lamp Output: 1 lamp(s), rated Lumens/lamp: 826
 Max Candela: 9,865.2 at Horizontal: 0, Vertical: 0
 Input Wattage: 30
 Luminous Opening: Point
 Test: 2009430RGB
 Test Lab: Iluminarc R&D Optics Laboratory
 Photometry : Type B
 CIE Class: Direct
 Cutoff Class: Full Cutoff



Flood Summary				
	Efficiency	Lumens	Horizontal Spread	Vertical Spread
Field (10%):	47.4%	391.3	23.5	22.7
Beam (50%):	21.8%	180.4	11	10.8
Total:	69.8%	576.9		



Photometrics Pro 1.3.2 copyright 2003-2008 by jSolutions, Inc.
 Reported data calculated from manufacturer's data file, based on IES recommended methods.

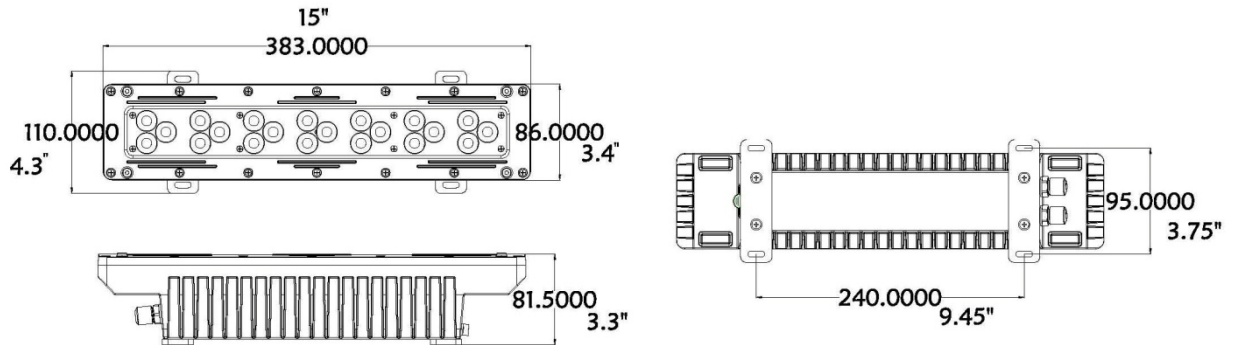
Illumiline 21 IP Optic 30 RGB
Item Number: 12021001

ILUMINARC™

SPECIFICATION



- 3, 4 or 7 channel DMX-512 LED wash light
- Blackout/static/dimmer/strobe/pulse
- IP67
- High power 1W (350mA) LEDs



Physical

Length: 15in (383mm)
Width: 4.3in (110mm)
Height: 3.3in (82mm)
Weight: 6.6lbs (3 kg)

Optics

Light source: 21 1W 350mA (7 Red, 7 Green, 7 Blue) LEDs
Minimum LED lifetime: 50,000 hrs based on manufacturer's specifications

Construction

Color: UV resistant gray powder coat, custom colors available
Housing: Cast and extruded aluminum
Lens cover: impact resistant glass
Protection rating: IP67

Control

Operating modes: 3 channel: red, green, blue
4 channel: dimmer, red, green, blue
7 channel: dimmer, red, green, blue, color macros, strobe, dimming speed


Control protocol: USITT DMX 512
Addresser: Ilumicode (item# 44444001)

Ilumiline 21 IP Optic 30 RGB

Item Number: 12021001



ILUMINARC™

Installation	Orientation: Any Minimum distance to illuminated surface: 4in (92mm)
Connections	Power cable length: 118in (3000mm) Power cable entry: IP67 stainless steel gland nut Data cable length: 118in (3000mm) Data cable entry: IP67 stainless steel gland nut
Electrical	AC power: 100-240V, 50/60Hz Power supply: internal, auto sensing, multi voltage
Power and Current	120V, 60Hz: 28.1W, 0.5A operating, .3A inrush 230V, 50Hz: 28W, 0.2A operating, .3A inrush
Thermal	Cooling: Convection Maximum ambient temperature (Ta max): 40°C (104°F)
Approvals	
Included items	ILUMILINE 21 IP OPTIC RGB Warranty Card User Manual

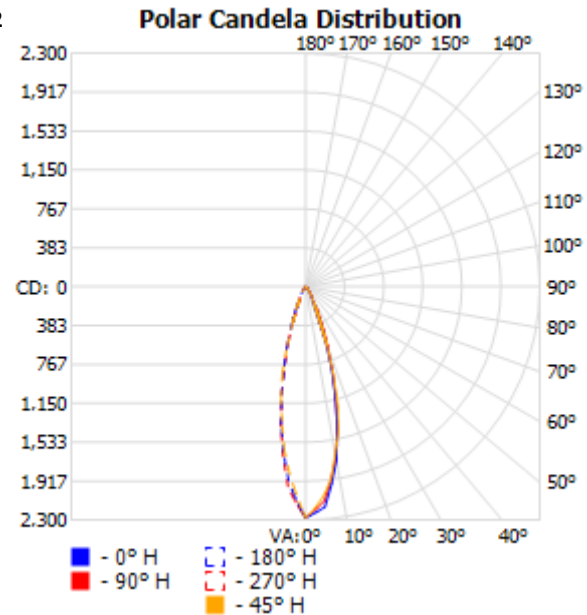
Specification subject to change without notice

Ilumiline 21 IP Optic 30 RGB

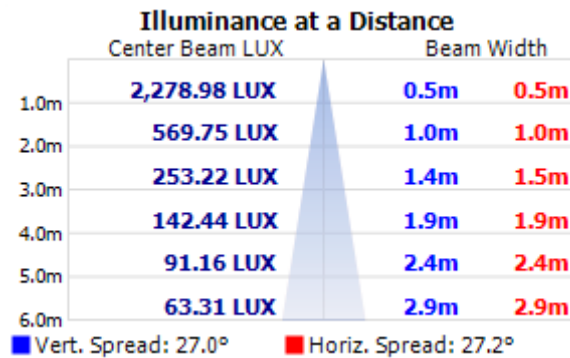
Item Number: 12021001

ILUMINARC

Filename: Ilumiline 21IP Optic 30 RGB-RGB_IESNA2002
 Manufacturer: ILUMINARC
 Luminaire: ILUMILINE 21IP OPTIC RGB 30 DEGREE
 Luminaire Cat: 12021001
 Lamp: 7 RED, 7 GREEN, 7 BLUE
 Lamp Output: 1 lamp(s), rated Lumens/lamp: 826
 Max Candela: 2,279.0 at Horizontal: 0, Vertical: 0
 Input Wattage: 28.1
 Luminous Opening: Point
 Test: 2009430RGB
 Test Lab: Iluminarc R&D Optics Laboratory
 Photometry : Type B
 CIE Class: Direct
 Cutoff Class: Full Cutoff



Flood Summary				
	Efficiency	Lumens	Horizontal Spread	Vertical Spread
Field (10%):	62.3%	514.5	50.8	49.7
Beam (50%):	33.7%	278.6	27.2	27
Total:	74.6%	616.1		



Photometrics Pro 1.3.2 copyright 2003-2008 by jSolutions, Inc.
 Reported data calculated from manufacturer's data file, based on IES recommended methods.