

# ILUMINARC®

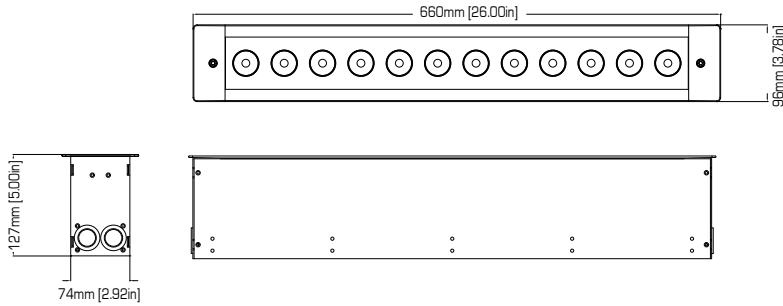
## ILUMILINE INGROUND TRI-12 IP OPTIC 25 RGB

Item Number: 12012007

Client: \_\_\_\_\_

Project: \_\_\_\_\_

Date: \_\_\_\_\_ Type: \_\_\_\_\_



### LIGHT SOURCE & OPTICAL SPECIFICATIONS

Light Source: 12 LEDs (tri-color RGB) 3 W (1,050 mA)  
Light Source Lifespan: 50,000 hours based on LED manufacturer's specifications  
Installed Optics: 25°  
Beam Angle: 19°  
Field Angle: 37.5°  
Lumens: 879  
Base Illuminance: 222 lux @ 5 m  
Efficacy: 19.6 lm/W  
Color Temperature Presets: N/A  
Minimum Distance to Illuminated Surface: 4 in (92 mm)

### CONSTRUCTION & PHYSICAL SPECIFICATIONS

Length: 26 in (660 mm)  
Width: 3.7 in (96 mm)  
Height: 5 in (127 mm)  
Weight: 17.6 lb (8 kg)  
Color: Brushed stainless steel  
Ingress Protection Rating: IP67  
Housing Material: Cast aluminum, stainless steel  
Lens Cover: Impact resistant glass  
Installation Orientation: Any

### CONTROL SPECIFICATIONS

Control Protocol: USITT DMX-512a  
Control Channels: 1, 3, 4, 6 or 7  
Operating Modes: Selectable personalities  
Solid (1-channel): dimmer  
Arc 1 (3-channel): red, green, blue  
Arc 1+D (4-channel): dimmer, red, green, blue  
Special 1 (6-channel): red, green, blue per module (two modules)  
Arc Full (7-channel): dimmer, red, green, blue, color macros, strobe, dimming speed

Stand Alone Control: N/A  
Remote Addresser: Ilumicode  
Data Connection: 9.8 ft (3 m) Waterproof cable

### ELECTRICAL SYSTEM SPECIFICATIONS

Input Voltage: 100 to 240 VAC, 50/60 Hz (auto-ranging)  
Power and Current: 38 W, 0.6 A @ 120 V  
40 W, 0.3 A @ 230 V  
Power Supply: Electronic internal  
Dimmer: Electronic  
Power Linking: N/A  
Power Connection: 9.8 ft (3 m)

### THERMAL SPECIFICATIONS

Cooling: Convection  
Startup Temperature Range: -4 °F to 113 °F (-20 to 45) °C  
Operating Temperature Range: -40 °F to 113 °F (-40 to 45) °C  
Storage Temperature Range: -40 °F to 167 °F (-40 to 75) °C

### REGULATORY & VOLUNTARY QUALIFICATION

Certification Listings: MET, CE  
Environment: Wet location, IP67  
Warranty: 36 month manufacturer's limited warranty (for covered regions only)

Product  
Web Page



WWW.ILUMINARC.COM - INFO@ILUMINARC.COM

Iluminarc reserves the right to make improvements to this product  
and its specifications at anytime without notice.

ILUMINARC.  
5200 NW 108th Ave.  
Sunrise, FL 33351  
+1.954.923.3680

# ILUMINARC®

## ILUMILINE INGROUND TRI-12 IP OPTIC 25 RGB

Item Number: 12012007

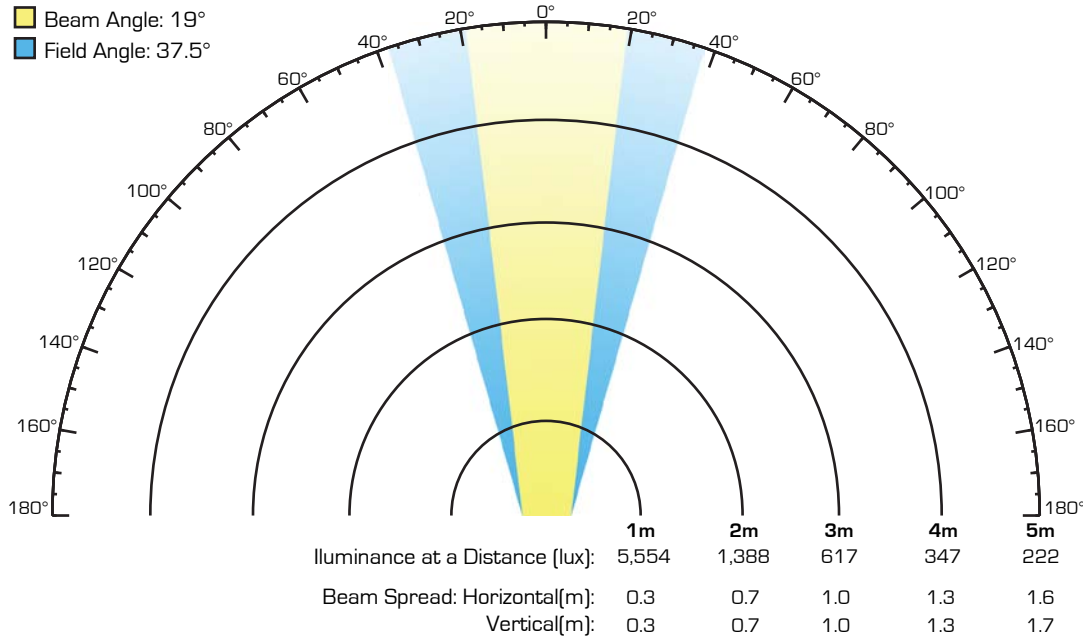
Client: \_\_\_\_\_

Project: \_\_\_\_\_

Date: \_\_\_\_\_ Type: \_\_\_\_\_

### Illumiline Inground Tri-12 IP Optic 25 RGB

- Beam Angle: 19°
- Field Angle: 37.5°



### Illumiline Inground Tri-12 IP Optic 25 RGB Typical Installation

