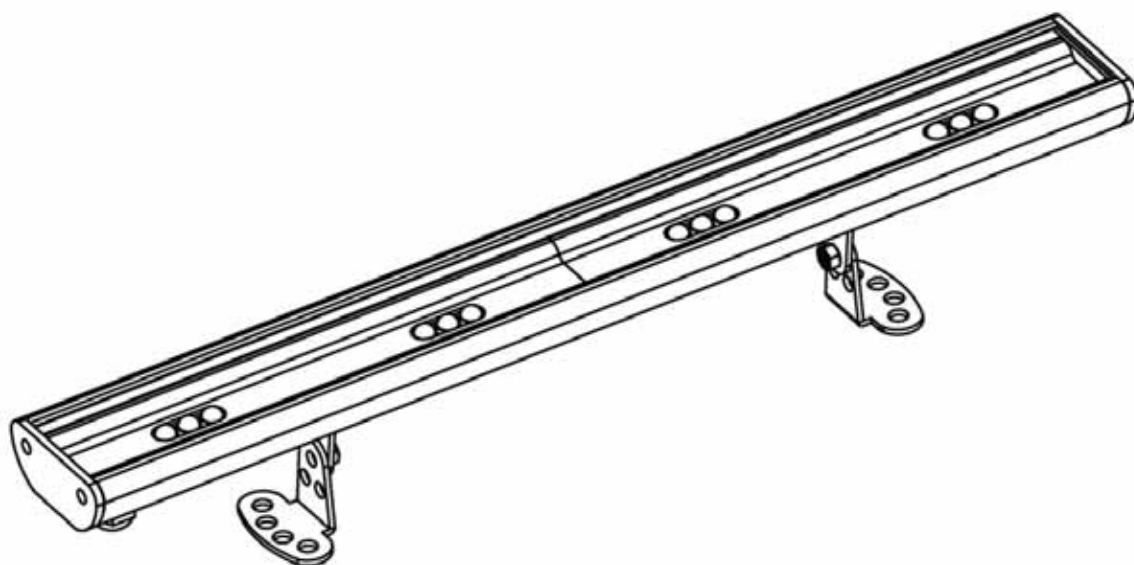


# Ilumiline LLogic™ 12 VW

## Quick Reference Guide



- What Is Included**
- One Illumiline LΩgic™ 12 VW
  - One CAT5 Splitter
  - One Warranty Card
  - One Quick Reference Guide

**About This Guide** The Illumiline LΩgic™ 12 VW Quick Reference Guide (QRG) contains the product's features, options, input power, mounting information, wiring, connectivity, and dimensions.

Refer to the applicable LΩgic™ Controller User Manual from the ILUMINARC® web site ([www.iluminarc.com](http://www.iluminarc.com)) to learn about the disclaimers, safety notes, programming modes, and detailed technical information and instructions.

**Product at a Glance**

Use on Dimmer	⊘	Auto Programs	⊘
Outdoor Use	⊘	Auto-ranging power supply	⊘
Sound Activated	⊘	Replaceable Fuse	⊘
DMX	⊘	User Serviceable	⊘
Master/Slave	⊘	Duty Cycle	⊘

- Features**
- White and cool white LED wash light product
  - High power 1 W (350 mA) LEDs
  - Variable white (2,800 K ~ 7,000 K)
  - Extruded aluminum housing (silver)
  - Belden 1585A plenum rated data/power cable (79 in / 2 m) with RJ45 connector
  - Low power consumption
  - IP20 ingress protection
  - Compatible with LΩgic™ controllers
  - Lightweight and durable construction
  - Plenum rated cable

**Controllers** Please refer to the applicable User Manual to learn more about the LΩgic™ controllers currently available. The User Manuals can be downloaded from the ILUMINARC® web site ([www.iluminarc.com](http://www.iluminarc.com)).

- LΩgic™ 1x36
- LΩgic™ 4x36

**Input Power** The input power for this product is provided by a LΩgic™ Controller (1,050 mA @ 48 V).

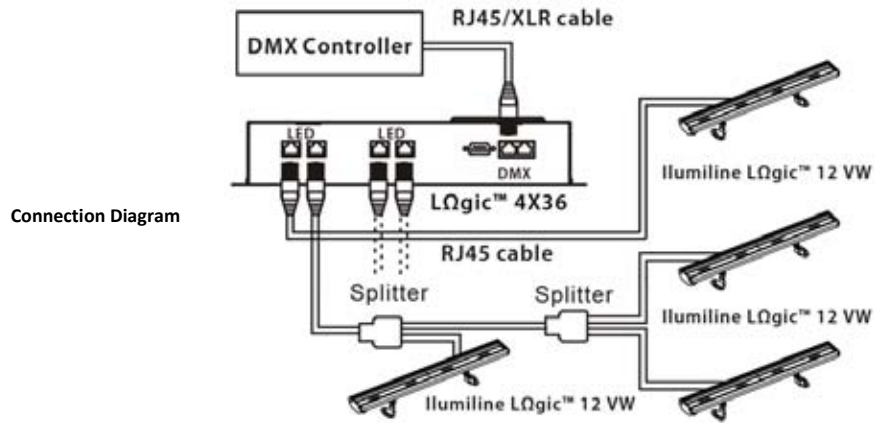
**Mounting** The Illumiline LΩgic™ 12 VW includes mounting hardware with 6.3 mm holes, which allow the product to be mounted on any flat surface. Once mounted, the angle can also be adjusted.

**Wiring** This product comes with a 79 in (2 m) long CAT 5 cable, terminated with an RJ45 plug to connect to a LΩgic™ Controller. If using the included splitter or if making an extension of the product's cable, you must use plenum grade CAT 5/6 wire. The RJ45 connector pin out is shown below.

**RJ45 Pin Out**

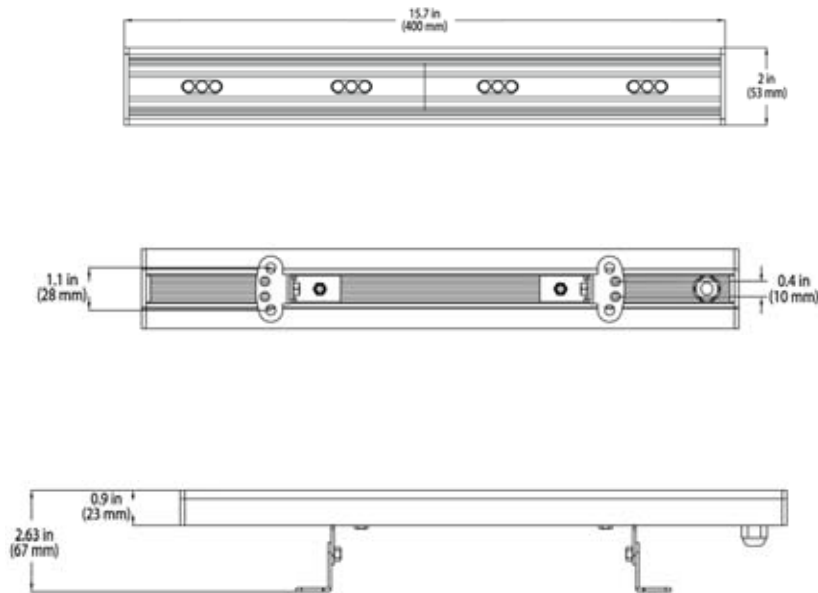
Pin	Wire Color	Function
1	White/orange	Warm LED +
2	Orange/white	Cool LED +
3	White/green	Warm LED +
4	Blue/white	Not used
5	White/blue	Warm LED -
6	Green/white	Cool LED -
7	White/brown	Warm LED -
8	Brown/white	Not used

**Connectivity** The figure below shows a possible connection layout using this product and a LΩgic™ 4X36 Controller. Refer to the applicable LΩgic™ Controller User Manual regarding wiring layouts and limitations.



All cables must be terminated to a product. Do not use the splitter as a coupler.

**Dimensions**



**Contact Us**

**General Information**

ILUMINARC®  
 5200 NW 108th Avenue  
 Sunrise, FL 33351  
 Voice: (954) 923-3680  
 Fax: (954) 929-5560  
 (ATTN: ILUMINARC®)  
[www.iluminarc.com](http://www.iluminarc.com)

**World Wide Web**

Ilumiline LΩgic™ 12 VW QRG – Rev. 04  
 © Copyright 2011 ILUMINARC®.  
 All rights reserved.  
 Printed in the P. R. C.

