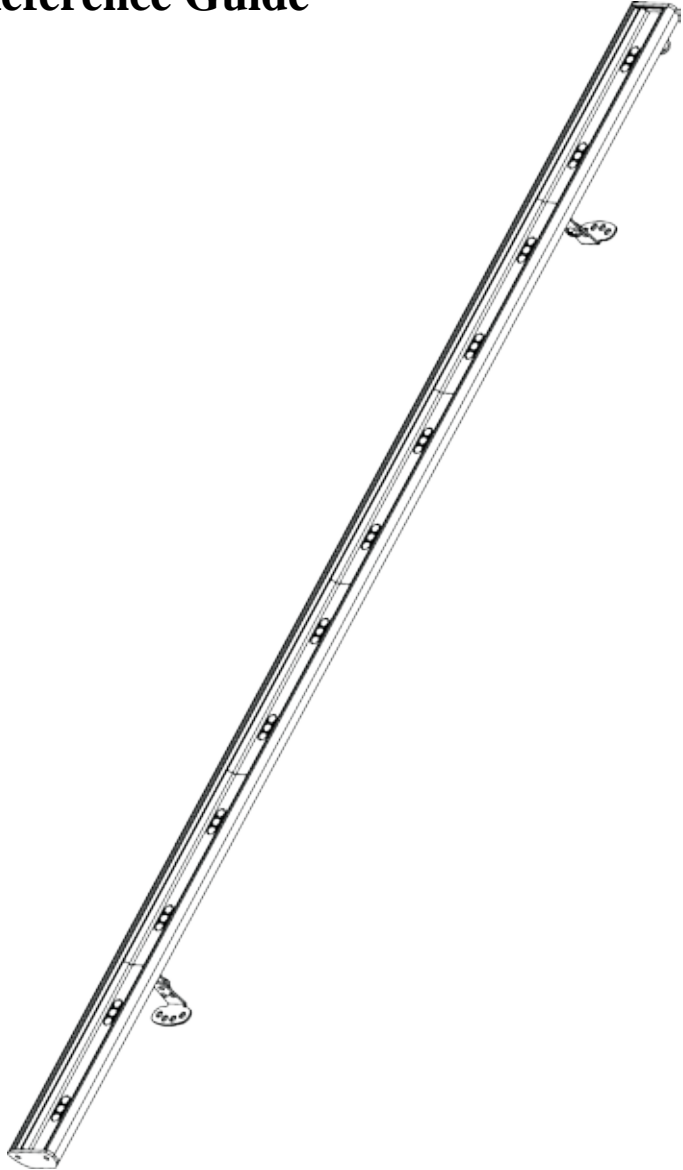


Illumiline LΩgic 36 RGB

Quick Reference Guide



ILUMINARC®

- What Is Included**
- One Ilumiline LΩgic 36 RGB
 - One Quick Reference Guide
 - One Warranty Card

About This Guide The One Ilumiline LΩgic 36 RGB Quick Reference Guide (QRG) contains the product's features, options, input power, mounting information, wiring, connectivity, and dimensions.

Refer to the applicable LΩgic Controller User Manual from the ILUMINARC website (www.iluminarc.com) to learn about the disclaimers, safety notes, programming modes, and detailed technical information and instructions.

- Features**
- RGB LED wash light product
 - Compatible with LΩgic controllers
 - High power 1 W (350 mA) LEDs
 - RGB color mixing (with LΩgic Controller)
 - Extruded aluminum housing (silver) with integrated cooling enhancement
 - Belden 1585A plenum-rated data/power cable (79 in/2 m) with RJ-45 connector
 - Low power consumption
 - IP20 ingress protection
 - Lightweight and durable construction

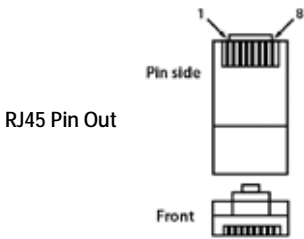
Controllers Please refer to the applicable User Manual to learn more about the LΩgic controllers' currently available. The User Manuals can be downloaded from the ILUMINARC website (www.iluminarc.com).

- LΩgic 1x36
- LΩgic 4x36
- LΩgic 16x36

Input Power The input power for this product is provided by a LΩgic Controller (1,050 mA @ 48 V).

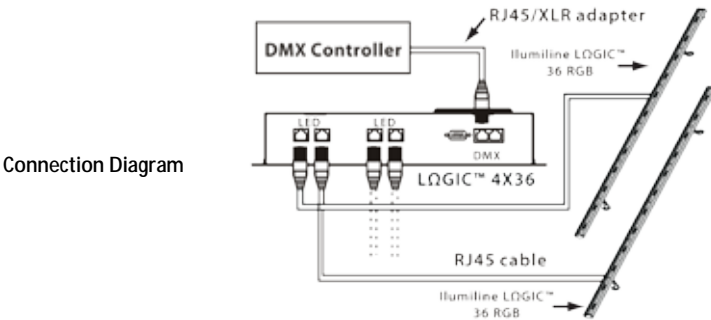
Mounting The Ilumiline LΩgic 36 RGB includes mounting hardware with 6.3 mm holes, which allow the product to be mounted on any flat surface. Once mounted, the angle can also be adjusted.

Wiring This product comes with a 79 in (2 m) long CAT 5 cable, terminated with an RJ45 plug to connect to a LΩgic Controller. If using the included splitter or if making an extension of the product’s cable, you must use plenum-grade CAT 5/6 wire. The RJ45 connector pin out is shown below.



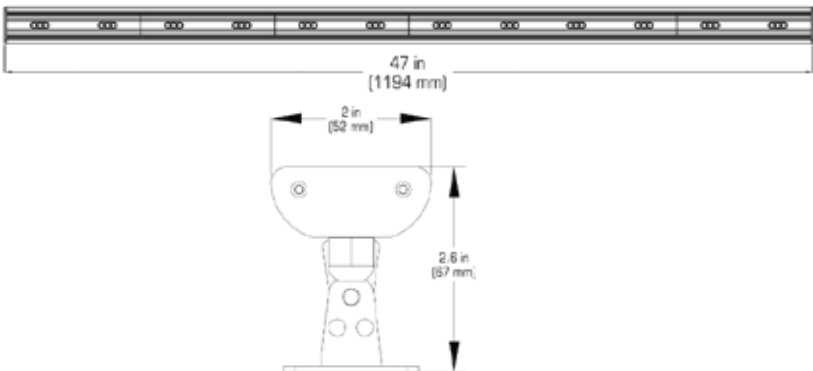
Pin	Wire Color	Function
1	White/orange	Red LED +
2	Orange/white	Green LED +
3	White/green	Blue LED +
4	Blue/white	Not used
5	White/blue	Red LED -
6	Green/white	Green LED -
7	White/brown	Blue LED -
8	Brown/white	Not used

Connectivity The figure below shows a possible connection layout using this product and a LΩgic 4X36 Controller. Refer to the applicable LΩgic Controller User Manual regarding wiring layouts and limitations.



All cables must be terminated to a product. Do not use the splitter as a coupler.

Dimensions



Contact Us

General Information	Technical Support
Chauvet World Headquarters	
Address: 5200 NW 108th Avenue Sunrise, FL 33351 Voice: (954) 577-4455 Toll free: (800) 762-1084	Voice: (844) 393-7575 Email: support@iluminarc.com Website: www.iluminarc.com
Chauvet Europe Ltd	
Address: Unit 1C Brookhill Road Industrial Estate Pinxton, Nottingham, UK NG16 6NT Voice: +44 (0)1773 511115	Email: uktech@chauvetlighting.com Website: www.chauvetlighting.co.uk
Chauvet Europe BVBA	
Address: Stokstraat 18 9770 Kruishoutem Belgium Voice: +32 9 388 93 97	Email: Eutech@chauvetlighting.com Website: www.chauvetlighting.eu
Chauvet France	
Address: 3, Rue Ampère 91380 Chilly-Mazarin France Voice: +33 1 78 85 33 59	Email: Eutech@chauvetlighting.com Website: www.chauvetlighting.eu
Chauvet Germany	
Address: Bruno-Bürgel-Str. 11 28759 Bremen Germany Voice: +49 421 62 60 20	Email: Eutech@chauvetlighting.com Website: www.chauvetlighting.eu
Chauvet Mexico	
Address: Av. de las Partidas 34-3B (Entrance by Calle 2) Zona Industrial Lerma Lerma, Mexico C.P. 52000 Voice: +52 (728) 690-2010	Email: servicio@iluminarc.com.mx Website: www.chauvet.com.mx

Outside the U.S., U.K., Ireland, Benelux, France, Germany, or Mexico, contact the dealer of record. Follow the instructions to request support or to return a product. Visit our website for contact details

Ilumiline LQgic 36 RGB - QRG – Rev. 6
© Copyright 2018 ILUMINARC
All rights reserved.
Printed in the P. R. C.

