

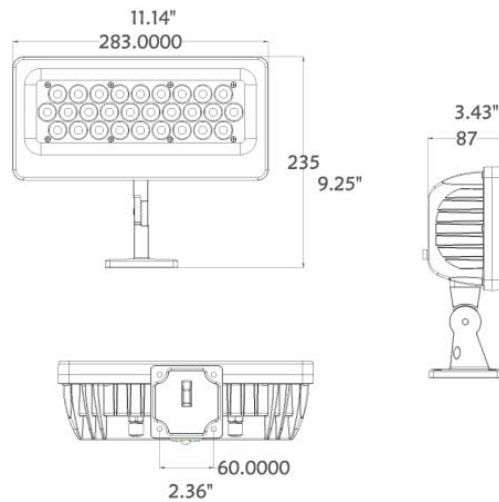
Illumipanel 28 IP Optic 30 RGB
Item Number: 13028001

ILUMINARC®

SPECIFICATION



- 3, 4, or 7 channel DMX-512 LED wash light
- Blackout/static/dimmer/strobe/pulse
- IP67
- High power 1 W (350 mA) LEDs
- Adjustable base



Physical

Length: 11.14 in (283 mm)
Width: 3.4 in (87 mm)
Height: 9.3 in (235 mm)
Weight: 6.5 lbs (3 kg)

Optics

Light source: 28 x 1 W 350 mA (10 Red, 9 Green, 9 Blue) LEDs
Minimum LED lifetime: 50,000 hrs based on manufacturer's specifications

JOB INFORMATION Type: _____

Job Name: _____

Cat. Number: _____

Notes:

Illumipanel 28 IP Optic 30 RGB
Item Number: 13028001

ILUMINARC®

Housing: Cast aluminum
Lens cover: Impact resistant glass
Protection rating: IP67

Control
Operating modes: Determined by personality chosen on the Ilumicode
Control protocol: USITT DMX 512
Addresser: Ilumicode (item# 44444001)

Installation
Orientation: Any
Minimum distance to illuminated surface: 4 in (92 mm)

Connections
Power cable length: 118 in (3,000 mm)
Power cable entry: IP67 stainless steel gland nut
Data cable length: 118 in (3,000 mm)
Data cable entry: IP67 stainless steel gland nut

Electrical
AC power: 100 ~ 240 V, 50/60 Hz
Power supply: Internal, auto-ranging, multi-voltage

Power and current
120 V, 60 Hz: 37.8 W, .5 A operating, .3 A inrush
230 V, 50 Hz: 36 W, .4 A operating, .4 A inrush

Thermal
Cooling: Convection
Maximum ambient temperature (Ta max): 40° C (104° F)

Approvals



Included items
Illumipanel 28 IP OPTIC RGB
Warranty Card
User Manual

Specification subject to change without notice

JOB INFORMATION Type: _____

Job Name: _____

Cat. Number: _____

Notes:

Iluminarc 28 IP Optic 30 RGB

Item Number: 13028001

ILUMINARC®

Filename: Iluminarc 28IP Optic 30RGB-
RGB_IESNA2002

Manufacturer: ILUMINARC

Luminaire: ILUMIPANEL 28IP OPTIC RGB 30 DEGREE

Luminaire Cat: 13028001

Lamp: 10 RED, 9 GREEN, 9 BLUE

Lamp Output: 1 lamp(s), rated Lumens/lamp: 1100

Max Candela: 2,460.7 at Horizontal: 0, Vertical: 0

Input Wattage: 34

Luminous Opening: Point

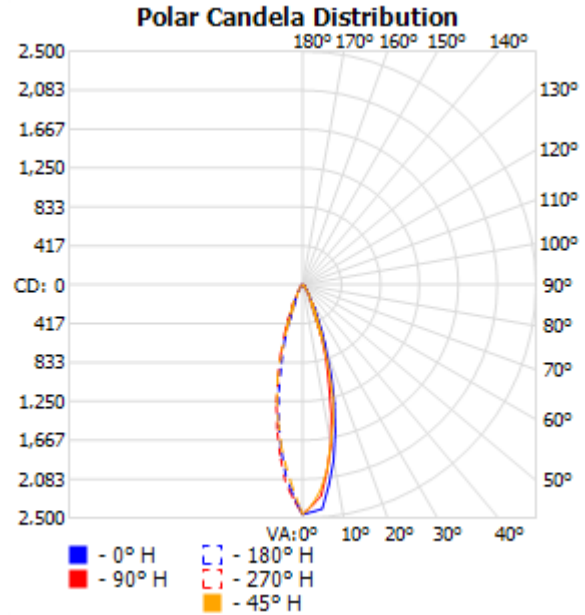
Test: 2009430RGB

Test Lab: Iluminarc R&D Optics Laboratory

Photometry : Type B

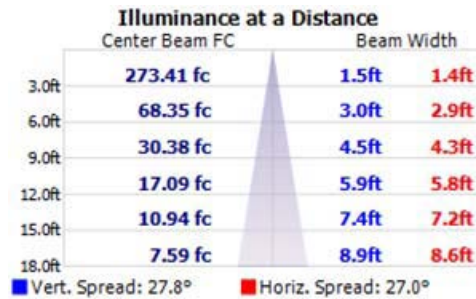
CIE Class: Direct

Cutoff Class: Full Cutoff



Flood Summary

	Efficiency	Lumens	Horizontal Spread	Vertical Spread
Field (10%):	53.2%	585.0	53.1	52.2
Beam (50%):	28.1%	309.0	27	27.8
Total:	65.4%	719.3		



Photometrics Pro 1.3.2 copyright 2003-2008 by jSolutions, Inc.

Reported data calculated from manufacturer's data file, based on IES recommended methods.

JOB INFORMATION Type: _____

Job Name: _____

Cat. Number: _____

Notes: