

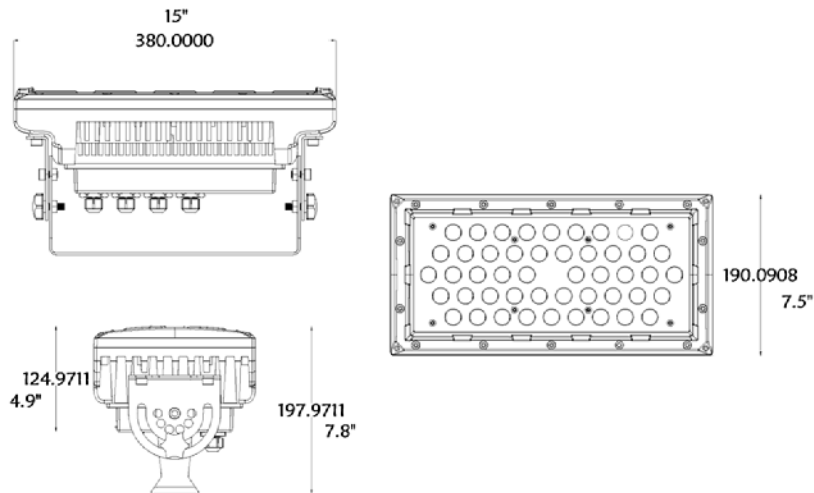
Illumipanel 48 IP Optic 30 RGBW
 Item Number: 13048001

ILUMINARC®

SPECIFICATION



- 3, 4, 5, or 9-channel DMX-512 LED bank system (with ID addressing)
- RGBW color mixing with or without DMX controller
- Color temperature presets (3,200 K ~ 10,000 K) or create your own
- Recall custom programs via master/slave or DMX
- IP66
- High Power variable output (750 mA, 1,000 mA) LEDs



Physical

Length: 15 in (380 mm)
 Width: 7.5 in (190 mm)
 Height: 7.8 in (198 mm)
 Weight: 9.5 lbs (4.3 kg)

Optics

Light source: 48 (12 red 750 mA, 14 blue 1,000 mA, 12 green 1,000 mA, 10 white 1,000 mA) LEDs
 Minimum LED lifetime: 50,000 hrs based on manufacturer's specifications

JOB INFORMATION Type: _____

Job Name: _____


Cat. Number: _____

Notes:

Ilumipanel 48 IP Optic 30 RGBW

Item Number: 13048001

ILUMINARC®

Construction	Color: UV resistant white powder coat, custom colors available Housing: Cast aluminum Lens cover: Tempered glass Protection rating: IP66
Control	Operating modes: 3-channel: RGB control 3-channel: HSV control (hue, saturation, and value) 4-channel: RGBW control 4-channel: RGB, dimmer 5-channel: RGBW, dimmer 9-channel: RGBW, ID, dimmer, strobe, macro, auto/custom, balance, power boost Stand alone: Color mixing with or without DMX controller Recall custom programs via master/slave or DMX Control protocol: USITT DMX 512
Installation	Orientation: Any Minimum distance to illuminated surface: 4 in (92 mm)
Connections	Power cable entry: IP66 stainless steel cable gland Power cable: Power in: 21.5 in (546 mm), power out: 20 in (508 mm) Data cable entry: IP66 stainless steel cable gland Data cable: Data in: 22 in (559 mm), data out: 18 in (470 mm)
Electrical	AC power: 100 ~ 240 V, 50/60 Hz Power supply: Internal, auto-ranging, multi-voltage
Power and current	120 V, 60 Hz: 103.8 W, .9 A operating, 1 A inrush 230 V, 50 Hz: 100 W, .4 A operating, .6 A inrush
Power Linking	120 V: 10 units max 230 V: 20 units max
Thermal	Cooling: Convection Maximum ambient temperature (Ta max): 40° C (104° F)
Approvals	 CONFORMS TO UL STD. 1973 CERTIFIED TO CSA STD. C22.2 No. 196 3144482
Included items	ILUMIPANEL 48 IP RGBW Power cable with plug: 65 in (1,651 mm) IP66 power extension cable: 103 in (2,604 mm) IP66 signal extension cable: 103 in (2,604 mm) DMX input cable: 6.5 in (165 mm) DMX output cable: 6.5 in (165 mm) 7.5 in gel frame (max thickness 4 mm) Warranty Card User Manual
Accessories	16.4 ft (5 m) power extension cable 16.4 ft (5 m) signal extension cable

Specification subject to change without notice

JOB INFORMATION Type: _____

Job Name: _____

Cat. Number: _____

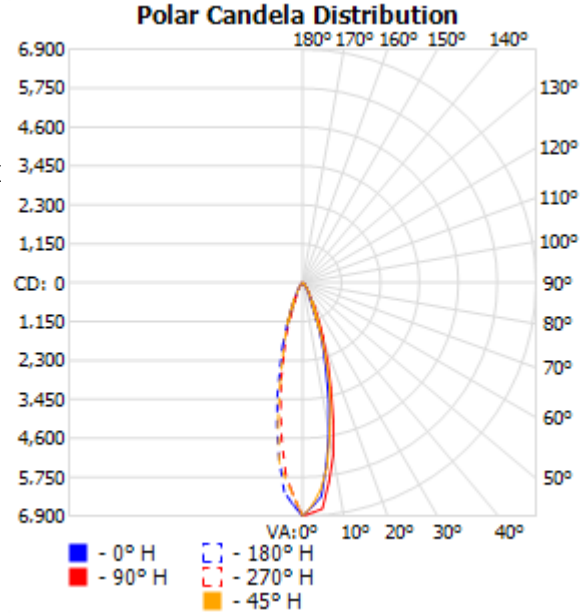
Notes:

Ilumipanel 48 IP Optic 30 RGBW

Item Number: 13048001

ILUMINARC®

Filename: ILUMIPANEL 48 IP 30 DEG-RGBW
 Manufacturer: ILUMINARC
 Luminaire: ILUMIPANEL 48 IP OPTIC RGBW 30 DEGREE
 Luminaire Cat: 13048001
 Lamp: 12 RED, 14 GREEN, 12 BLUE, 10 WHITE
 Lamp Output: 1 lamp(s), rated Lumens/lamp: 4140
 Max Candela: 6,895.2 at Horizontal: 0, Vertical: 0
 Input Wattage: 105.2
 Luminous Opening: Point
 Test: 2009417RGBW
 Test Lab: Iluminarc R&D Optics Laboratory
 Photometry : Type B
 CIE Class: Direct
 Cutoff Class: Full Cutoff



Flood Summary				
	Efficiency	Lumens	Horizontal Spread	Vertical Spread
Field (10%):	35.7%	1,479.1	51.2	50
Beam (50%):	17%	703.9	25.4	25.4
Total:	43.8%	1,815.2		

	Illuminance at a Distance	
	Center Beam FC	Beam Width
3.0ft	766.13 fc	1.4ft 1.4ft
6.0ft	191.53 fc	2.7ft 2.7ft
9.0ft	85.13 fc	4.1ft 4.1ft
12.0ft	47.88 fc	5.4ft 5.4ft
15.0ft	30.65 fc	6.8ft 6.8ft
18.0ft	21.28 fc	8.1ft 8.1ft

■ Vert. Spread: 25.4° ■ Horiz. Spread: 25.4°

Photometrics Pro 1.3.2 copyright 2003-2008 by jSolutions, Inc.
 Reported data calculated from manufacturer's data file, based on IES recommended methods.

JOB INFORMATION Type: _____

Job Name: _____

Cat. Number: _____

Notes: