

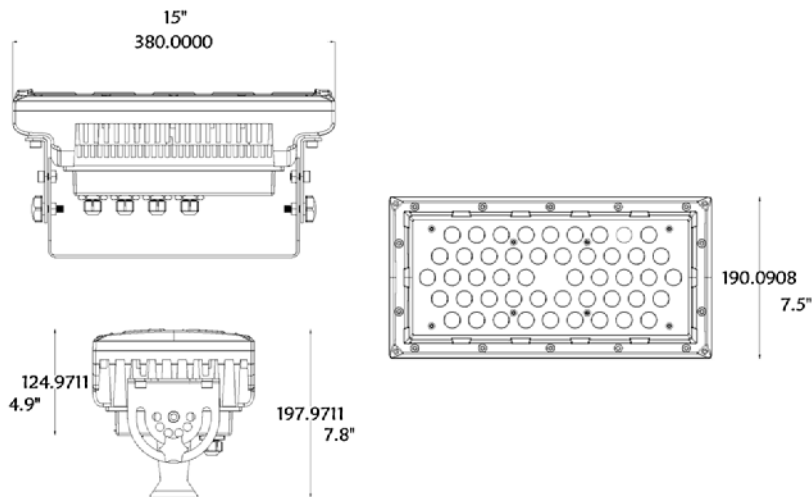
Illumpanel 48 IP Optic 15 RGB
 Item Number: 13048002

ILUMINARC®

SPECIFICATION



- 3, 4, 5, or 9-channel DMX-512 LED bank system (with ID addressing)
- RGBW color mixing with or without DMX controller
- Color temperature presets (3,200 K ~ 10,000 K) or create your own
- Recall custom programs via master/slave or DMX
- IP66
- High Power variable output (750 mA, 1,000 mA) LEDs



Physical

Length: 15 in (380 mm)
 Width: 7.5 in (190 mm)
 Height: 7.8 in (198 mm)
 Weight: 9.5 lbs (4.3 kg)

Optics

Light source: 48 (12 red 750 mA, 14 blue 1,000 mA, 12 green 1,000 mA, 10 white 1,000 mA) LEDs
 Minimum LED lifetime: 50,000 hrs based on manufacturer's specifications

JOB INFORMATION Type: _____

Job Name: _____


Cat. Number: _____

Notes:

Ilumpanel 48 IP Optic 15 RGB

Item Number: 13048002

ILUMINARC®

Construction	Color: UV resistant white powder coat, custom colors available Housing: Cast aluminum Lens cover: Tempered glass Protection rating: IP66
Control	Operating modes: 3-channel: RGB control 3-channel: HSV control (hue, saturation, and value) 4-channel: RGBW control 4-channel: RGB, dimmer 5-channel: RGBW, dimmer 9-channel: RGBW, ID, dimmer, strobe, macro, auto/custom, balance, power boost Stand alone: Color mixing with or without DMX controller Recall custom programs via master/slave or DMX Control protocol: USITT DMX 512
Installation	Orientation: Any Minimum distance to illuminated surface: 4 in (92 mm)
Connections	Power cable entry: IP66 stainless steel cable gland Power cable: Power in: 21.5 in (546 mm), power out: 20 in (508 mm) Data cable entry: IP66 stainless steel cable gland Data cable: Data in: 22 in (559 mm), data out: 18 in (470 mm)
Electrical	AC power: 100 ~ 240 V, 50/60 Hz Power supply: Internal, auto-ranging, multi-voltage
Power and Current	120 V, 60 Hz: 103.8 W, .9 A operating, 1 A inrush 230 V, 50 Hz: 100 W, .4 A operating, .6 A inrush
Power Linking	120 V: 10 units max 230 V: 20 units max
Thermal	Cooling: Convection Maximum ambient temperature (Ta max): 40° C (104° F)
Approvals	 <p>CONFORMS TO UL STD. 1973 CERTIFIED TO CSA STD. C22.2 No. 196 3144482</p>
Included items	ILUMIPANEL 48 IP RGBW Power cable with plug: 65 in (1,651 mm) IP66 power extension cable: 103 in (2,604 mm) IP66 signal extension cable: 103 in (2,604 mm) DMX input cable: 6.5 in (165 mm) DMX output cable: 6.5 in (165 mm) 7.5 in gel frame (max thickness 4 mm) Warranty Card User Manual
Accessories	16.4 ft (5 m) power extension cable 16.4 ft (5 m) signal extension cable

Specification subject to change without notice

JOB INFORMATION Type: _____

Job Name: _____

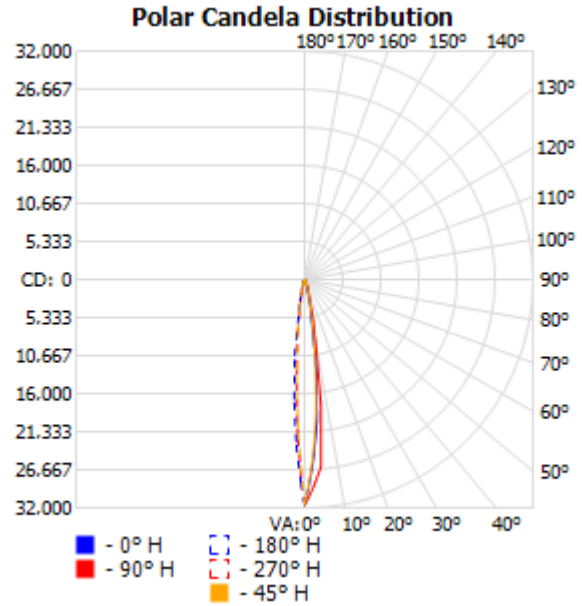
Cat. Number: _____

Notes:

Ilumpanel 48 IP Optic 15 RGB
 Item Number: 13048002

ILUMINARC®

Filename: **ILUMIPANEL 48 IP 15DEG- RGBW**
 Manufacturer: ILUMINARC
 Luminaire: ILUMIPANEL 48 IP OPTIC RGBW 15 DEGREE
 Luminaire Cat: 13048002
 Lamp: 12 RED, 14 GREEN, 12 BLUE, 10 WHITE
 Lamp Output: 1 lamp(s), rated Lumens/lamp: 4140
 Max Candela: 31,630.9 at Horizontal: 0, Vertical: 0
 Input Wattage: 103.8
 Luminous Opening: Point
 Test: 2009416RGBW
 Test Lab: Iluminarc R&D Optics Laboratory
 Photometry : Type B
 CIE Class: Direct
 Cutoff Class: Full Cutoff



Flood Summary				
	Efficiency	Lumens	Horizontal Spread	Vertical Spread
Field (10%):	35%	1,450.1	24.7	25.3
Beam (50%):	14.9%	618.2	12.1	11.8
Total:	51.3%	2,125.1		

Photometrics Pro 1.3.2 copyright 2003-2008 by jSolutions, Inc.
 Reported data calculated from manufacturer's data file, based on IES recommended methods.

JOB INFORMATION Type: _____

Job Name: _____

Cat. Number: _____

Notes: