

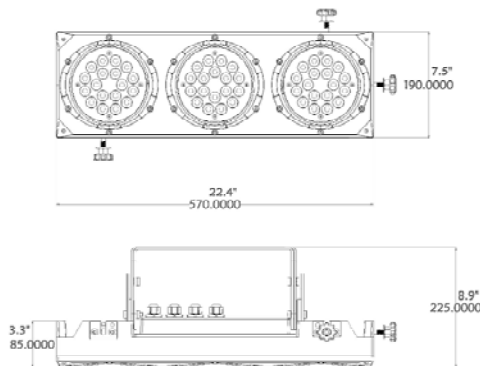
Illumipanel 18X3 IP Optic 15 RGB  
Item Number: 13054002

ILUMINARC™

## SPECIFICATION



- 3, 4,9 or 12-channel DMX-512 LED bank system (with ID addressing)
- RGB color mixing with or without DMX controller
- Individual pod control
- Recall custom programs via master/slave or DMX
- IP66
- High-power, 1W (350mA) LEDs



### Physical

Length: 22.4in (570mm)  
Width: 8.9in (225mm) including tension knob on bracket  
Height: 7.5in (190mm)  
Weight: 18lbs (8.2kg)

### Optics

Light source: 52 1W 350mA (18 Red, 18 Green, 18 Blue) LEDs  
Minimum LED lifetime: 50,000 hrs based on manufacturer's specifications

### Construction

Color: UV resistant black powder coat  
Housing: Cast aluminum body with ABS flame retardant lens cover frame  
Lens cover: Tempered glass  
Protection rating: IP66

# Ilumipanel 18X3 IP Optic 15 RGB

Item Number: 13054002

ILUMINARC™

<b>Control</b>	Operating modes: 3-channel: RGB control 4-channel: RGB, dimmer 9-channel: RGB, ID, dim, macro, strobe, automatic, custom, DMX modes 9-channel: RGB of 3 separate sections 12-channel: RGB, CMY, ID, dim, macro, strobe, automatic, custom, DMX modes Stand alone: Color mixing with or without DMX controller Recall custom programs via master/slave or DMX Control protocol: USITT DMX 512
<b>Installation</b>	Orientation: Any Minimum distance to illuminated surface: 4in (92mm)
<b>Connections</b>	Power cable entry: IP66 stainless steel cable gland Power cable: power in: 21.5in (546mm), power out: 20in (508mm) Data cable entry: IP66 stainless steel cable gland Data cable: data in: 22in (559mm), data out: 18in (470mm)
<b>Electrical</b>	AC power: 100-240V, 50/60Hz Power supply: internal, auto sensing, multi voltage
<b>Power and Current</b>	120V, 60Hz: 88W, .6A operating, 1.2A inrush 230V, 50Hz: 87.9, .39A operating, .73A inrush
<b>Power Linking</b>	120V: 15 units max 230V: 30 units max
<b>Thermal</b>	Cooling: Convection Maximum ambient temperature (Ta max): 40°C (104°F)
<b>Approvals</b>	 <p>CONFORMS TO UL STD. 1973 CERTIFIED TO CSA STD. C22.2 No. 106 3144482</p>
<b>Included items</b>	ILUMIPANEL 18X3 IP OPTIC RGB Power cable with plug: 65in (1651mm) IP66 power extension cable: 103in (2604mm) IP66 signal extension cable: 103in (2604mm) DMX input cable: 6.5in (165mm) DMX output cable: 6.5in (165mm) Warranty Card User Manual
<b>Accessories</b>	16.4ft (5m) power extension cable 16.4ft (5m) signal extension cable

Specification subject to change without notice

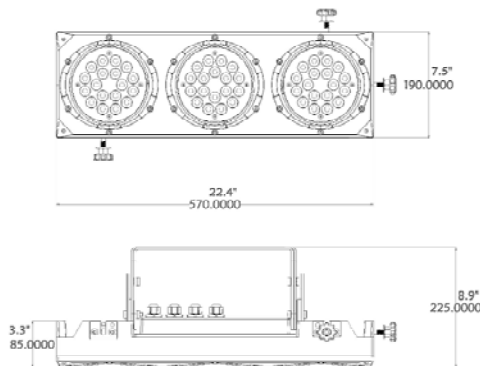
Illumipanel 18X3 IP Optic 30 RGB  
Item Number: 13054001

ILUMINARC™

## SPECIFICATION



- 3, 4,9 or 12-channel DMX-512 LED bank system (with ID addressing)
- RGB color mixing with or without DMX controller
- Individual pod control
- Recall custom programs via master/slave or DMX
- IP66
- High-power, 1W (350mA) LEDs



### Physical

Length: 22.4in (570mm)  
Width: 8.9in (225mm) including tension knob on bracket  
Height: 7.5in (190mm)  
Weight: 18lbs (8.2kg)

### Optics

Light source: 52 1W 350mA (18 Red, 18 Green, 18 Blue) LEDs  
Minimum LED lifetime: 50,000 hrs based on manufacturer's specifications

### Construction

Color: UV resistant black powder coat  
Housing: Cast aluminum body with ABS flame retardant lens cover frame  
Lens cover: Tempered glass  
Protection rating: IP66

# Ilumipanel 18X3 IP Optic 30 RGB

Item Number: 13054001

ILUMINARC™

**Control** Operating modes: 3-channel: RGB control  
4-channel: RGB, dimmer  
9-channel: RGB, ID, dim, macro, strobe, automatic, custom, DMX modes  
9-channel: RGB of 3 separate sections  
12-channel: RGB, CMY, ID, dim, macro, strobe, automatic, custom, DMX modes  
Stand alone: Color mixing with or without DMX controller  
Recall custom programs via master/slave or DMX  
Control protocol: USITT DMX 512

**Installation** Orientation: Any  
Minimum distance to illuminated surface: 4in (92mm)

**Connections** Power cable entry: IP66 stainless steel cable gland  
Power cable: power in: 21.5in (546mm), power out: 20in (508mm)  
Data cable entry: IP66 stainless steel cable gland  
Data cable: data in: 22in (559mm), data out: 18in (470mm)

**Electrical** AC power: 100-240V, 50/60Hz  
Power supply: internal, auto sensing, multi voltage

**Power and Current** 120V, 60Hz: 87.5W, .6A operating, 1.2A inrush  
230V, 50Hz: 87.9, .39A operating, .73A inrush

**Power Linking** 120V: 15 units max  
230V: 30 units max

**Thermal** Cooling: Convection  
Maximum ambient temperature (Ta max): 40°C (104°F)

## Approvals



**Included items** ILUMIPANEL 18X3 IP OPTIC RGB  
Power cable with plug: 65in (1651mm)  
IP66 power extension cable: 103in (2604mm)  
IP66 signal extension cable: 103in (2604mm)  
DMX input cable: 6.5in (165mm)  
DMX output cable: 6.5in (165mm)  
Warranty Card  
User Manual

**Accessories** 16.4ft (5m) power extension cable  
16.4ft (5m) signal extension cable

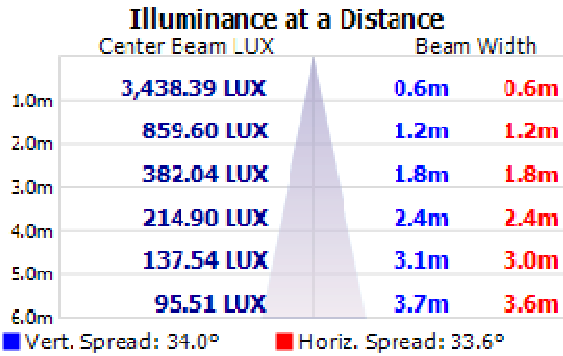
Specification subject to change without notice

# Iluminarc 18X3 IP Optic 30 RGB

Item Number: 13054001

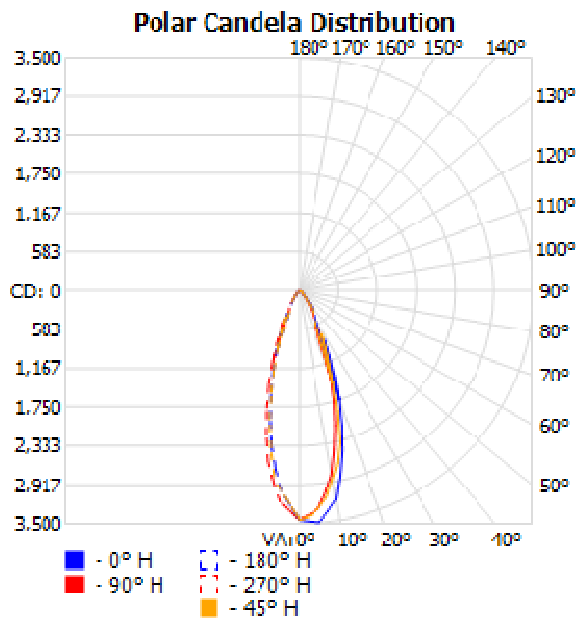


Filename: Iluminarc 18x3 30 DEG-RGB  
 Manufacturer: ILUMINARC  
 Luminaire: ILUMIPANEL 18X3 IP OPTIC RGB 30 DEGREE  
 Luminaire Cat: 13054001  
 Lamp: 18 RED, 18 GREEN, 18 BLUE  
 Lamp Output: 1 lamp(s), rated Lumens/lamp: 2070  
 Max Candela: 3,492.2 at Horizontal: 0, Vertical: 5  
 Input Wattage: 87.5  
 Luminous Opening: Point  
 Test: 2009318RGB  
 Test Lab: Iluminarc R&D Optics Laboratory  
 Photometry: Type B  
 CIE Class: Direct  
 Cutoff Class: Full Cutoff



### Flood Summary

	Efficiency	Lumens	Horizontal Spread	Vertical Spread
Field (10%):	58.8%	1,218.1	61.3	62.3
Beam (50%):	33.4%	690.4	33.6	34
Total:	67.5%	1,398.2		



Photometrics Pro 1.3.2 copyright 2003-2008 by jSolutions, Inc.  
 Reported data calculated from manufacturer's data file, based on IES recommended methods.