

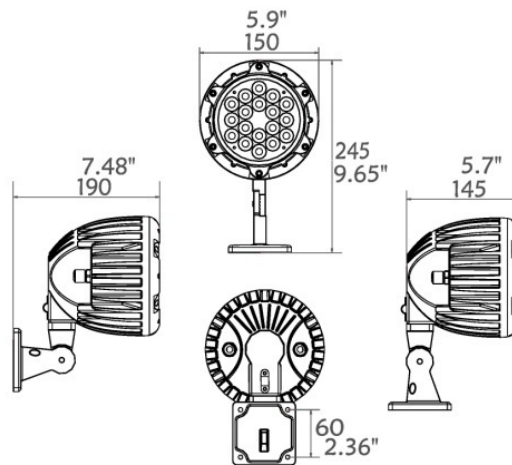
Illumipod 18 IP Optic 15 WW
Item Number: 11018009

ILUMINARC®

SPECIFICATION



- Variable white (2,800 K ~ 7,000 K) DMX-512 LED wash light
- IP67
- High power 1 W (350 mA) LEDs
- Adjustable base



Physical

Length: 5.7 in (145 mm)
Width: 5.9 in (150 mm)
Height: 9.7 in (245 mm)
Weight: 6 lbs (2.6 kg)

Optics

Light source: 18 x 1 W 350 mA (6 cool white, 12 warm white) LEDs
Minimum LED lifetime: 50,000 hrs based on manufacturer's specifications

JOB INFORMATION Type: _____

Job Name: _____

Cat. Number: _____

Notes:

Ilumipod 18 IP Optic 15 VW

Item Number: 11018009

ILUMINARC®

Construction	Color: UV resistant gray powder coat, custom colors available Housing: Cast aluminum Lens cover: Impact resistant glass Protection rating: IP67
Control	Operating modes: Determined by personality chosen on the Ilumicode Control protocol: USITT DMX 512 Addresser: Ilumicode (item# 44444001)
Installation	Orientation: Any Minimum distance to illuminated surface: 4 in (92 mm)
Connections	Power cable length: 118 in (3,000 mm) Power cable entry: IP67 stainless steel gland nut Data cable length: 118 in (3,000 mm) Data cable entry: IP67 stainless steel gland nut
Electrical	AC power: 100 ~ 240 V, 50/60 Hz Power supply: Internal, auto-ranging, multi-voltage
Power and current	120 V, 60 Hz: 30 W, .4 A operating, .8 A inrush 230 V, 50 Hz: 30 W, .4 A operating, .6 A inrush
Thermal	Cooling: Convection Maximum ambient temperature (Ta max): 40° C (104° F)

Approvals



Included items ILUMIPOD 18 IP OPTIC VW
Warranty Card
User Manual

Specification subject to change without notice

JOB INFORMATION Type: _____

Job Name: _____

Cat. Number: _____

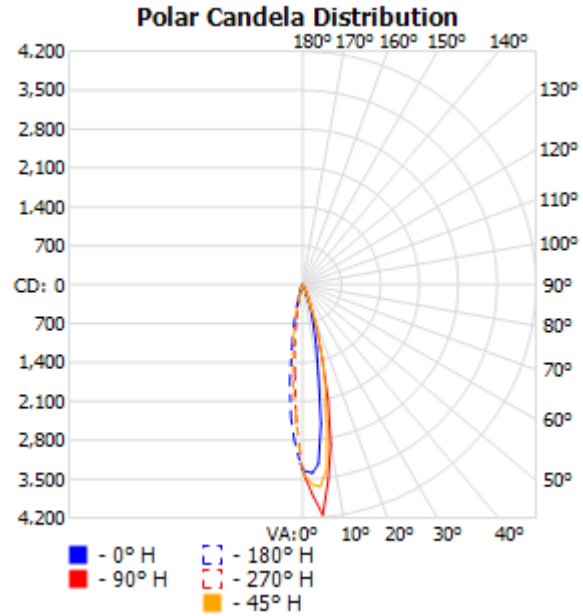
Notes:

Ilumipod 18 IP Optic 15 VW

Item Number: 11018009

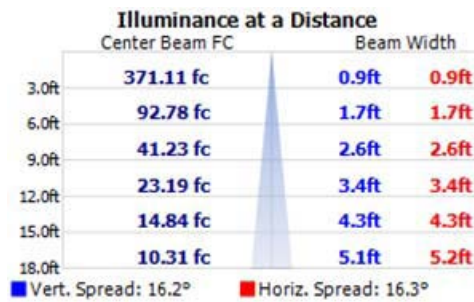
ILUMINARC®

Filename: Ilumipod 18 IP Optic 15 VW 100% ALL
 Manufacturer: ILUMINARC
 Luminaire: Ilumipod 18 IP Optic 15 VW
 Lamp: 12 Warm White, 6 Cool White
 Lamp Output: 1 lamp(s), rated Lumens/lamp: 1380
 Max Candela: 4,157.6 at Horizontal: 90, Vertical: 5
 Input Wattage: 26.9
 Luminous Opening: Point
 Test: 2009 ALL
 Test Lab: Iluminarc R & D Optics Laboratory
 Photometry : Type B
 CIE Class: Direct
 Cutoff Class: Full Cutoff
 Filename: Ilumipod 18 IP Optic 15 VW 100% ALL



Flood Summary

	Efficiency	Lumens	Horizontal Spread	Vertical Spread
Field (10%):	28%	386.5	33.5	34.2
Beam (50%):	12.5%	171.8	16.3	16.2
Total:	36.2%	499.9		



Photometrics Pro 1.3.2 copyright 2003-2008 by jSolutions, Inc.
 Reported data calculated from manufacturer's data file, based on IES recommended methods.

JOB INFORMATION Type: _____

Job Name: _____

Cat. Number: _____

Notes: