

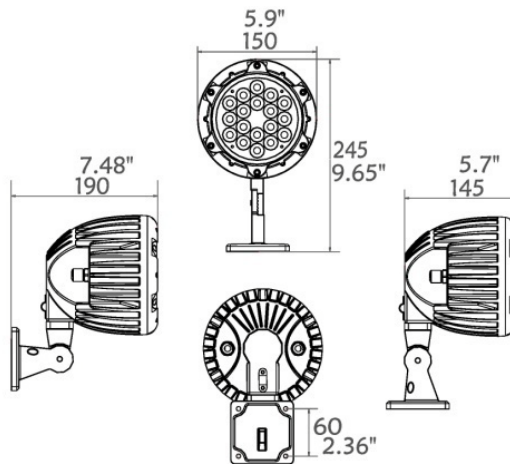
Illumipod 18 IP Optic 15 RGB
Item Number: 11018001

ILUMINARC®

SPECIFICATION



- 3, 4, or 7 channel DMX-512 LED wash light
- Blackout/static/dimmer/strobe/pulse
- IP67
- High power 1 W (350 mA) LEDs
- Adjustable base



Physical

Length: 5.7 in (145 mm)
Width: 5.9 in (150 mm)
Height: 9.7 in (245 mm)
Weight: 6 lbs (2.6 kg)

Optics

Light source: 18 x 1 W 350 mA (6 Red, 6 Green, 6 Blue) LEDs
Minimum LED lifetime: 50,000 hrs based on manufacturer's specifications

JOB INFORMATION Type: _____

Job Name: _____

Cat. Number: _____

Notes:

Illumipod 18 IP Optic 15 RGB
Item Number: 11018001

ILUMINARC®

Construction Color: UV resistant gray powder coat, custom colors available
 Housing: Cast aluminum
 Lens cover: Impact resistant glass
 Protection rating: IP67

Control Operating modes: Determined by personality chosen on the Ilumicode
 Control protocol: USITT DMX 512
 Addresser: Ilumicode (item# 44444001)

Installation Orientation: Any
 Minimum distance to illuminated surface: 4 in (92 mm)

Connections Power cable length: 118 in (3,000 mm)
 Power cable entry: IP67 stainless steel gland nut
 Data cable length: 118 in (3,000 mm)
 Data cable entry: IP67 stainless steel gland nut

Electrical AC power: 100 ~ 240 V, 50/60 Hz
 Power supply: Internal, auto-ranging, multi-voltage

Power and current 120 V, 60 Hz: 30 W, .4 A operating, .8 A inrush
 230 V, 50 Hz: 30 W, .4 A operating, .6 A inrush

Thermal Cooling: Convection
 Maximum ambient temperature (Ta max): 40° C (104° F)

Approvals



Included items ILUMIPOD 18 IP OPTIC RGB
 Warranty Card
 User Manual

Specification subject to change without notice

JOB INFORMATION Type: _____

Job Name: _____

Cat. Number: _____

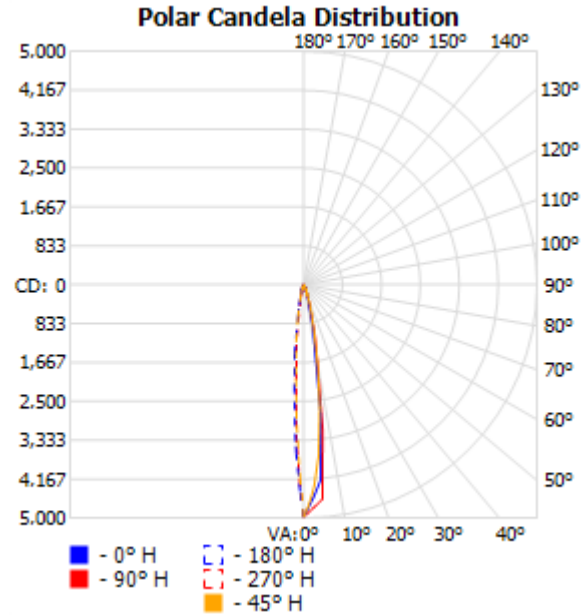
Notes:

Ilumipod 18 IP Optic 15 RGB

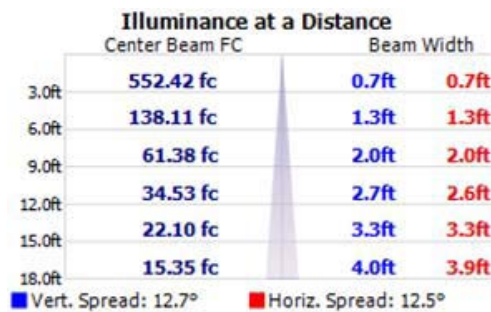
Item Number: 11018001

ILUMINARC®

Filename: Ilumipod 18IP Optic 15RGB-RGB_IESNA2002
 Manufacturer: ILUMINARC
 Luminaire: ILUMIPOD 18IP OPTIC RGB 15 DEGREE
 Luminaire Cat: 11018001
 Lamp: 6 RED, 6 GREEN , 6 BLUE
 Lamp Output: 1 lamp(s), rated Lumens/lamp: 690
 Max Candela: 4,971.8 at Horizontal: 0, Vertical: 0
 Input Wattage: 24.6
 Luminous Opening: Point
 Test: 2009430RGB
 Test Lab: Iluminarc R&D Optics Laboratory
 Photometry : Type B
 CIE Class: Direct
 Cutoff Class: Full Cutoff



Flood Summary				
	Efficiency	Lumens	Horizontal Spread	Vertical Spread
Field (10%):	39.7%	273.8	25.6	26.8
Beam (50%):	17.6%	121.3	12.5	12.7
Total:	57.2%	394.6		



Photometrics Pro 1.3.2 copyright 2003-2008 by jSolutions, Inc.
 Reported data calculated from manufacturer's data file, based on IES recommended methods.

JOB INFORMATION Type: _____

Job Name: _____

Cat. Number: _____

Notes: