

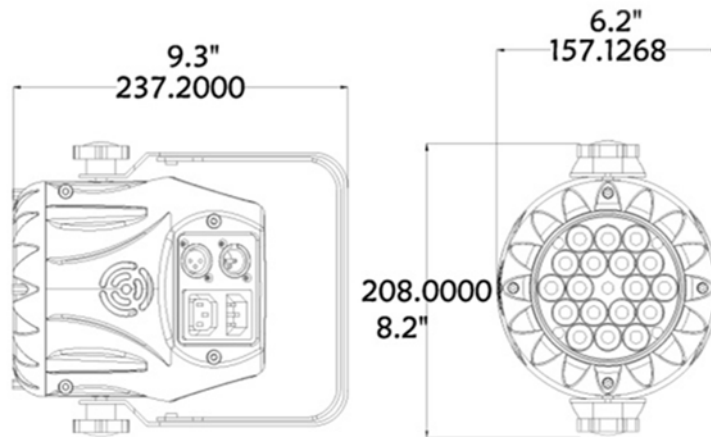
Illumipod 18 Optic 15 RGB
Item Number: 11018002

ILUMINARC®

SPECIFICATION



- 3, 4, or 9 channel DMX-512 LED wash light (with ID addressing)
- Blackout/static/dimmer/strobe/pulse
- Recall custom programs via master/slave or DMX
- Built-in automated programs via master/slave or DMX
- High power 1 W (350 mA) LEDs



Physical

Length: 9.3 in (237 mm)
Width: 8.2 in (208 mm) including tension knob on bracket
Height: 6.2 in (157 mm)
Weight: 5.8 lbs (2.6 kg)

Optics

Light source: 18 x 1 W 350 mA (6 Red, 6 Green, 6 Blue) LEDs
Minimum LED lifetime: 50,000 hrs based on manufacturer's specifications

JOB INFORMATION Type: _____

Job Name: _____

Cat. Number: _____

Notes:

Illumipod 18 Optic 15 RGB

Item Number: 11018002

ILUMINARC®

Construction	Color: White, custom colors available Housing: Flame retardant ABS Lens cover: Impact resistant plastic Protection rating: IP20
Control	Operating modes: 3 channel: red, green, blue 4 channel: dimmer, red, green, blue 9 channel: master dimmer, red, green, blue, color macros, strobe, auto/custom programs, ID addressing, and instant/delayed color change Stand alone: Color mixing with or without DMX controller Recall custom programs via master/slave or DMX Control protocol: USITT DMX 512
Installation	Orientation: Any Minimum distance to illuminated surface: 4 in (92 mm)
Connections	Power cable entry: IES connection Power cable: Power in: 60 in (1,524 mm), power link: 82 in (2,083 mm) Data cable entry: 3 pin XLR
Electrical	AC power: 100 ~ 240 V, 50/60 Hz Power supply: Internal, auto-ranging, multi-voltage
Power and Current	120 V, 60 Hz: 24.6 W, .4 A operating, .3 A inrush 230 V, 50 Hz: 26 W, .3 A operating, .3 A inrush
Power Linking	120 V: 20 units max 230 V: 40 units max
Thermal	Cooling: Fan cooled Maximum ambient temperature (Ta max): 40° C (104° F)
Approvals	 CONFORMS TO UL STD. 1973 CERTIFIED TO CSA STD. C22.2 No. 166 3144482
Included items	ILUMIPOD 18 OPTIC RGB IEC power cable with plug: 60 in (1,524 mm) IEC power linking cable: 82 in (2,083 mm) Set of replacement screws for use without barn doors Barn doors Warranty Card User Manual

Specification subject to change without notice

JOB INFORMATION Type: _____

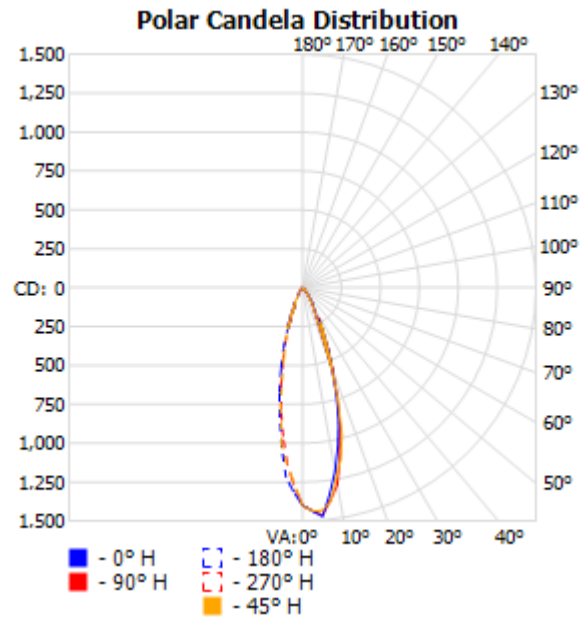
Job Name: _____

Cat. Number: _____

Notes:

Ilumipod 18 Optic 15 RGB
Item Number: 11018002

Filename: **ILUMIPOD 18 (30 DEG)-RGB**
 Manufacturer: ILUMIPOD
 Luminaire: ILUMIPOD 18 OPTIC RGB 30 DEGREE
 Luminaire Cat: 11018003
 Lamp: 6 RED, 6 GREEN, 6 BLUE
 Lamp Output: 1 lamp(s), rated Lumens/lamp: 690
 Max Candela: 1,474.9 at Horizontal: 0, Vertical: 5
 Input Wattage: 30.1
 Luminous Opening: Point
 Test: 2009329RGB
 Test Lab: Iluminarc R&D Optics Laboratory
 Photometry : Type B
 CIE Class: Direct
 Cutoff Class: Full Cutoff



	Efficiency	Lumens	Horizontal Spread	Vertical Spread
Field (10%):	57.6%	397.3	55.1	55.3
Beam (50%):	29%	200.0	28.6	29
Total:	67.7%	467.0		

Distance	Illuminance at a Distance	
	Center Beam FC	Beam Width
3.0ft	564.82 fc	0.6ft x 0.6ft
6.0ft	141.21 fc	1.3ft x 1.3ft
9.0ft	62.76 fc	1.9ft x 1.9ft
12.0ft	35.30 fc	2.6ft x 2.6ft
15.0ft	22.59 fc	3.2ft x 3.2ft
18.0ft	15.69 fc	3.9ft x 3.8ft

■ Vert. Spread: 12.2° ■ Horiz. Spread: 12.2°

Photometrics Pro 1.3.2 copyright 2003-2008 by jSolutions, Inc.
 Reported data calculated from manufacturer's data file, based on IES recommended methods.

JOB INFORMATION Type: _____

Job Name: _____

Cat. Number: _____

Notes: