

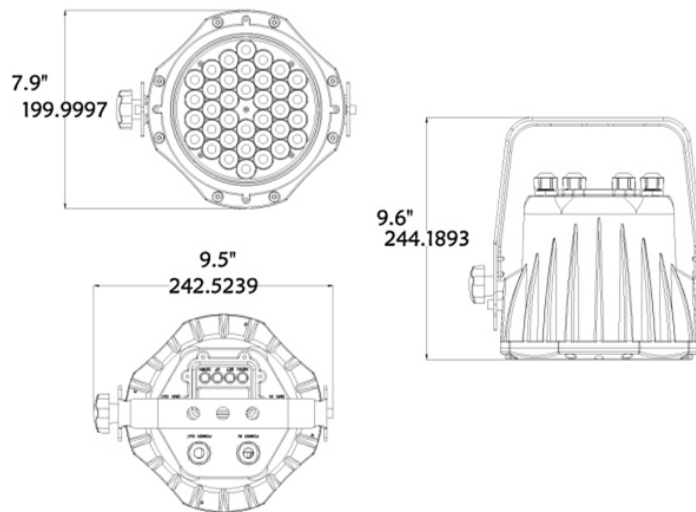
Illumipod 36 IP Optic 15 RGB White
Item Number: 11036001

ILUMINARC®

SPECIFICATION



- 3, 4, or 9 channel DMX-512 LED wash light (with ID addressing)
- Blackout/static/dimmer/strobe/pulse
- Recall custom programs via master/slave or DMX
- IP66
- High power 1 W (350 mA) LEDs



Physical

Length: 9.6 in (244 mm)
Width: 9.5 in (243 mm) including tension knob on bracket
Height: 7.9 in (200 mm)
Weight: 9.5 lbs (4.3 kg)

Optics

Light source: 36 x 1 W 350 mA (12 Red, 12 Green, 12 Blue) LEDs
Minimum LED lifetime: 50,000 hrs based on manufacturer's specifications

JOB INFORMATION Type: _____

Job Name: _____


Cat. Number: _____

Notes:

Ilumipod 36 IP Optic 15 RGB White

Item Number: 11036001

ILUMINARC®

Construction	Color: UV resistant white powder coat, custom colors available Housing: Cast aluminum Lens cover: Tempered glass Protection rating: IP66
Control	Operating modes: 3 channel: red, green, blue 4 channel: dimmer, red, green, blue 9 channel: master dimmer, red, green, blue, color macros, strobe, auto/custom programs, ID addressing, and instant/delayed color change Stand alone: Color mixing with or without DMX controller Recall custom programs via master/slave or DMX Control protocol: USITT DMX 512
Installation	Orientation: Any Minimum distance to illuminated surface: 4 in (92 mm)
Connections	Power cable entry: IP66 stainless steel cable gland Power cable: Power in: 21.5 in (546 mm), power out: 20 in (508 mm) Data cable entry: IP66 stainless steel cable gland Data cable: Data in: 22 in (559 mm), data out: 18 in (470 mm)
Electrical	AC power: 100 ~ 240 V, 50/60 Hz Power supply: Internal, auto-ranging, multi-voltage
Power and current	120 V, 60 Hz: 48.6 W, .5 A operating, .4 A inrush 230 V, 50 Hz: 44.1 W, .4 A operating, .6 A inrush
Power linking	120 V: 20 units max 230 V: 40 units max
Thermal	Cooling: Convection Maximum ambient temperature (Ta max): 40° C (104° F)
Approvals	 <p>CONFORMS TO UL STD. 1573 CERTIFIED TO CSA STD. C22.2 No. 166 3144482</p>
Included items	ILUMIPOD 36 IP OPTIC RGB Power cable with plug: 65 in (1,651 mm) IP66 power extension cable: 103 in (2,604 mm) IP66 signal extension cable: 103 in (2,604 mm) DMX input cable: 6.5 in (165 mm) DMX output cable: 6.5 in (165 mm) 7.5 in gel frame (max thickness 4 mm) Warranty Card User Manual
Accessories	16.4 ft (5 m) power extension cable 16.4 ft (5 m) signal extension cable

Specification subject to change without notice

JOB INFORMATION Type: _____

Job Name: _____

Cat. Number: _____

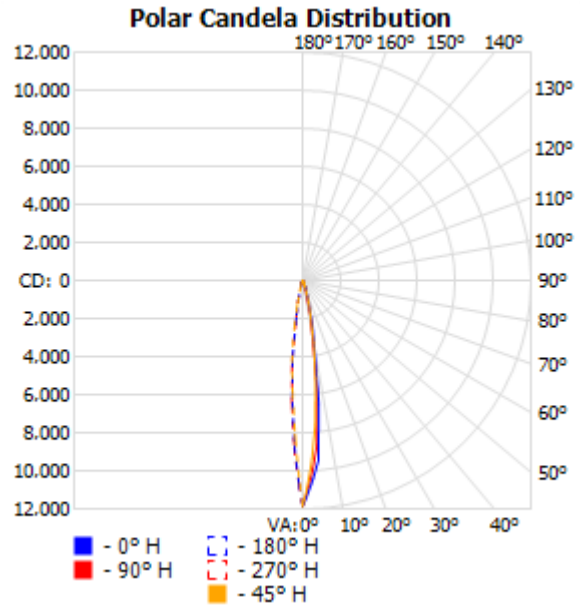
Notes:

Ilumipod 36 IP Optic 15 RGB White

Item Number: 11036001

ILUMINARC®

Filename: **ILUMIPOD 36 IP 15 DEG - RGB**
 Manufacturer: ILUMINARC
 Luminaire: ILUMIPOD 36 IP OPTIC RGB 15 DEGREE
 Luminaire Cat: 11036001
 Lamp: 12 RED, 12 GREEN, 12 BLUE
 Lamp Output: 1 lamp(s), rated Lumens/lamp: 1380
 Max Candela: 11,862.5 at Horizontal: 0, Vertical: 0
 Input Wattage: 48.6
 Luminous Opening: Point
 Test: 2009423RGB
 Test Lab: Iluminarc R&D Optic Laboratory
 Photometry : Type B
 CIE Class: Direct
 Cutoff Class: Full Cutoff



Flood Summary

	Efficiency	Lumens	Horizontal Spread	Vertical Spread
Field (10%):	50.1%	691.7	26.7	27.6
Beam (50%):	18%	247.8	13.1	13.4
Total:	65.6%	905.0		

Illuminance at a Distance

Distance	Center Beam LUX	Beam Width	
1.0m	11,862.50 LUX	0.2m	0.2m
2.0m	2,965.63 LUX	0.5m	0.5m
3.0m	1,318.06 LUX	0.7m	0.7m
4.0m	741.41 LUX	0.9m	0.9m
5.0m	474.50 LUX	1.2m	1.1m
6.0m	329.51 LUX	1.4m	1.4m

■ Vert. Spread: 13.4° ■ Horiz. Spread: 13.1°

Photometrics Pro 1.3.2 copyright 2003-2008 by jSolutions, Inc.
 Reported data calculated from manufacturer's data file, based on IES recommended methods.

JOB INFORMATION Type: _____

Job Name: _____

Cat. Number: _____

Notes: