

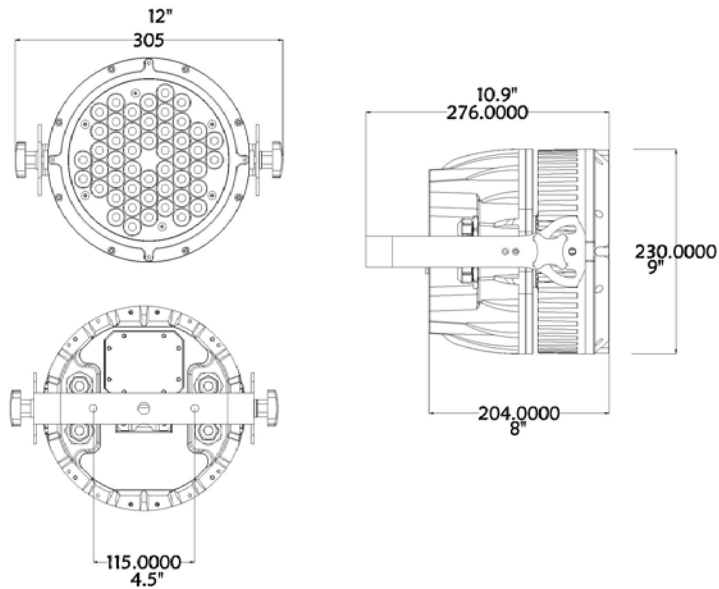
Illumipod 48 IP Optic 15 RGBW white housing
 Item Number: 11048003

ILUMINARC®

SPECIFICATION



- 3, 4, 5, 6, or 11-channel DMX-512 LED wash light (with ID addressing)
- RGBW color mixing with or without DMX controller
- Recall custom programs via master/slave or DMX
- IP66
- Color temperature presets (3,200 K ~ 10,000 K)



Physical

Length: 10.9 in (276 mm)
 Width: 12 in (305 mm) including tension knob on bracket
 Height: 9 in (230 mm)
 Weight: 20 lbs (49.1 kg)

Optics

Light source: 48 (12 750 mA Red, 12 1,000 mA Green, 12 1,000 mA Blue, 12 1,000 mA White) LEDs
 Minimum LED lifetime: 50,000 hrs based on manufacturer's specifications

JOB INFORMATION Type: _____

Job Name: _____

Cat. Number: _____

Notes:

Illumipod 48 IP Optic 15 RGBW white housing

Item Number: 11048003

ILUMINARC®

Construction	Color: UV resistant white powder coat, custom colors available Housing: Cast aluminum Lens cover: Tempered glass Protection rating: IP66
Control	Operating modes: 3-channel: RGB control 3-channel: HSV control (hue, saturation, and value) 4-channel: RGBW control 4-channel: RGB, dimmer 5-channel: RGBW, dimmer 6-channel: RGBW, dimmer, strobe 11-channel: RGBW, ID, dimmer, strobe, macro, auto/custom, auto speed, dimmer speed Stand alone: Color temp mixing with or without DMX controller Recall custom programs via master/slave or DMX Control protocol: USITT DMX 512
Installation	Orientation: Any Minimum distance to illuminated surface: 4 in (92 mm)
Connections	Power cable entry: IP66 stainless steel cable gland Power cable: Power in: 21.5 in (546 mm), power out: 20 in (508 mm) Data cable entry: IP66 stainless steel cable gland Data cable: Data in: 22 in (559 mm), data out: 18 in (470 mm)
Electrical	AC power: 100 ~ 240 V, 50/60 Hz Power supply: Internal, auto-ranging, multi-voltage
Power and current	120 V, 60 Hz: 179.4 W, 1.43 A operating, .75 A inrush 230 V, 50 Hz: 178.9 W, .78 A operating, .81 A inrush
Power linking	120 V: 7 units max 230 V: 15 units max
Thermal	Cooling: Convection Maximum ambient temperature (Ta max): 40° C (104° F)
Approvals	 <p>CONFORMS TO UL STD. 1573 CERTIFIED TO CSA STD. C22.2 No. 106 3144482</p>
Included items	Illumipod 48 IP Optic RGBW Power cable with plug: 65 in (1,651 mm) IP66 power extension cable: 103 in (2,604mm) IP66 signal extension cable: 103 in (2,604mm) DMX input cable: 6.5 in (165 mm) DMX output cable: 6.5 in (165 mm) Warranty Card User Manual
Accessories	16.4 ft (5 m) power extension cable 16.4 ft (5 m) signal extension cable

Specifications subject to change without notice

JOB INFORMATION Type: _____

Job Name: _____

Cat. Number: _____

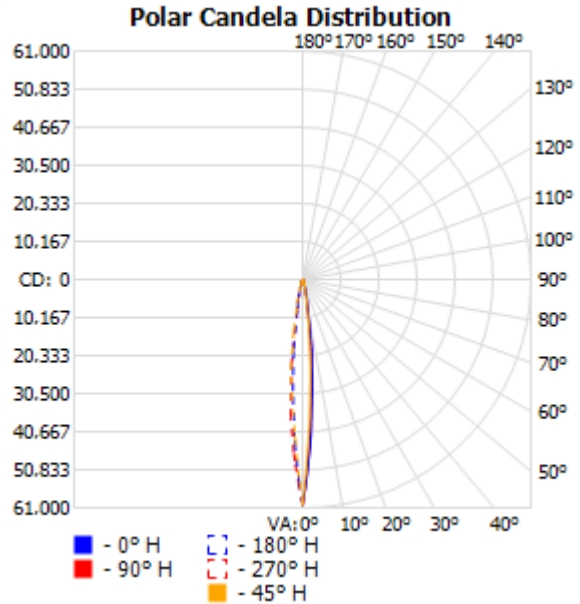
Notes:

Ilumipod 48 IP Optic 15 RGBW white housing

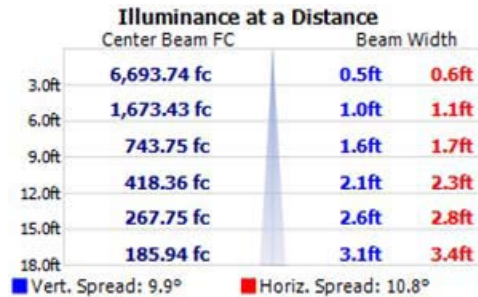
Item Number: 11048003

ILUMINARC®

Filename: ILUMIPOD 48 IP 15 DEG-RGBW
 Manufacturer: ILUMINARC
 Luminaire: IUMIPOD 48 IP OPTIC RGBW 15 DEGREE
 Luminaire Cat: 11048003
 Lamp: 12 RED, 12 GREEN, 12 BLUE, 12 WHITE
 Lamp Output: 1 lamp(s), rated Lumens/lamp: 4920
 Max Candela: 60,243.6 at Horizontal: 0, Vertical: 0
 Input Wattage: 177.2
 Luminous Opening: Point
 Test: 2009421RGBW
 Test Lab: Iluminarc R&D Optics Laboratory
 Photometry : Type B
 CIE Class: Direct
 Cutoff Class: Full Cutoff



Flood Summary				
	Efficiency	Lumens	Horizontal Spread	Vertical Spread
Field (10%):	47.4%	2,334.3	23.2	23.5
Beam (50%):	21.9%	1,078.1	10.8	9.9
Total:	71.5%	3,519.9		



Photometrics Pro 1.3.2 copyright 2003-2008 by jSolutions, Inc.
 Reported data calculated from manufacturer's data file, based on IES recommended methods

JOB INFORMATION Type: _____

Job Name: _____

Cat. Number: _____

Notes: