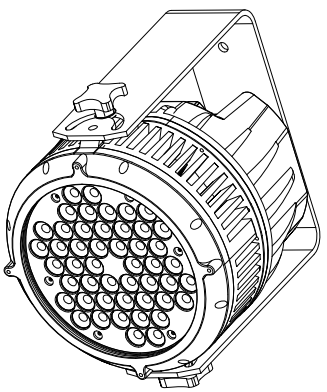
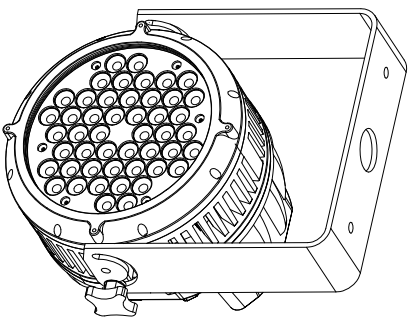
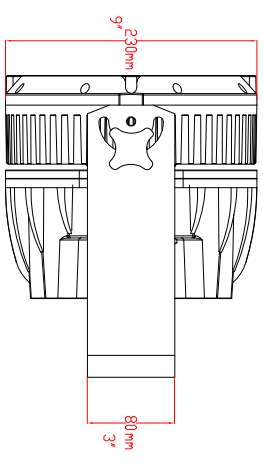
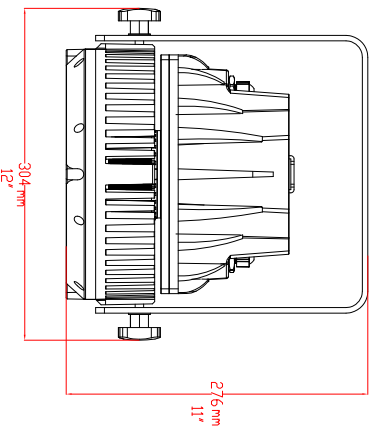
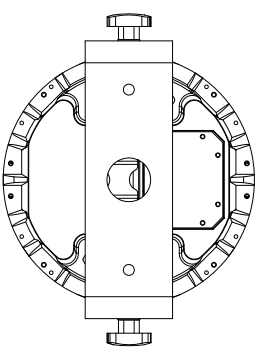


DESCRIPTION	ORDERING CODE
ILLUMIPOD 48 IP Optic 15 RGBW Gray body	11048004
ILLUMIPOD 48 IP Optic 30 RGBW Gray body	11048002

REVISION 1 - CHANGE BRACKET FROM 2 PART YOKE TO SINGLE PART YOKE



DATE: 8/19/09	DWG.#11048000.1	REV# 1	PG# 1
<b>ILLUMINARC</b>			
Illumipod 48 IP Optic RGBW GRAY			