

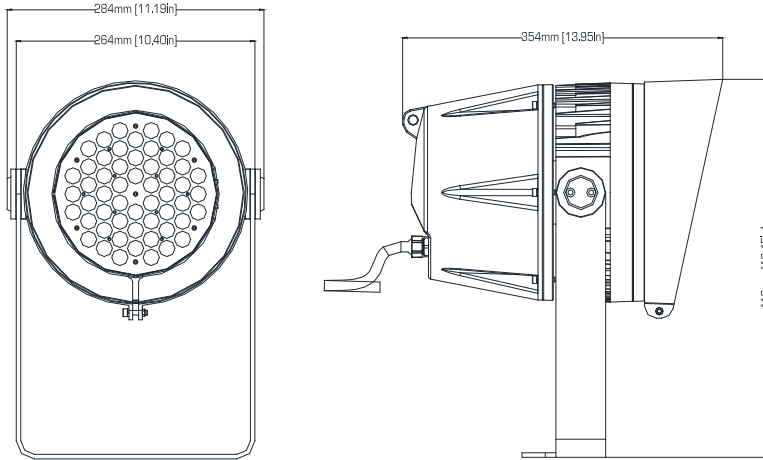
ILUMINARC®

ILUMIPOD 54g2 IP OPTIC 30 RGBW Item Number: 01630930

Client: _____

Project: _____

Date: _____ Type: _____



LIGHT SOURCE & OPTICAL SPECIFICATIONS

Light Source: 54 LEDs (15 red, 15 green, 15 blue, 9 white) 3 W (930 mA)
Light Source Lifespan: 50,000 hours based on LED manufacturer's specifications
Installed Optics: 30°
Beam Angle: 21°
Field Angle: 40°
Lumens: 4,570
Base Illuminance: 1,038 lux @ 5 m
Efficacy: 28.6 lm/W
Color Temperature Presets: N/A
Minimum Distance to Illuminated Surface: 4 in (92 mm)

CONSTRUCTION & PHYSICAL SPECIFICATIONS

Length: 14 in (354 mm)
Width: 11.2 in (284 mm)
Height: 16.5 in (418 mm)
Weight: 21.8 lb (9.9 kg)
Color: Off white
Ingress Protection Rating: IP67
Housing Material: Cast aluminum
Lens Cover: Impact resistant glass
Installation Orientation: Any

CONTROL SPECIFICATIONS

Control Protocol: USITT DMX-512a
Stand Alone Control: N/A
Remote Addresser: Ilumicode
Data Connection: 6.25 ft (1.9 m) Waterproof cable

ELECTRICAL SYSTEM SPECIFICATIONS

Input Voltage: 100 to 277 VAC, 50/60 Hz (auto-ranging)
Power and Current: 168 W, 1.40 A @ 120 V
160 W, 0.73 A @ 230 V
158 W, 0.63 A @ 277 V
Power Supply: Electronic internal
Dimmer: Electronic
Power Linking: N/A
Power Connection: 6.25 ft (1.9 m) Waterproof cable

THERMAL SPECIFICATIONS

Cooling: Convection
Startup Temperature Range: -4 °F to 113 °F (-20 to 45) °C
Operating Temperature Range: -40 °F to 113 °F (-40 to 45) °C
Storage Temperature Range: -40 °F to 167 °F (-40 to 75) °C

REGULATORY & VOLUNTARY QUALIFICATION

Certification Listings: MET, CE
Environment: Wet location, IP67
Warranty: 36 month manufacturer's limited warranty (for covered regions only)

ILUMINARC®

ILUMIPOD 54g2 IP OPTIC 30 RGBW

Item Number: 01630930

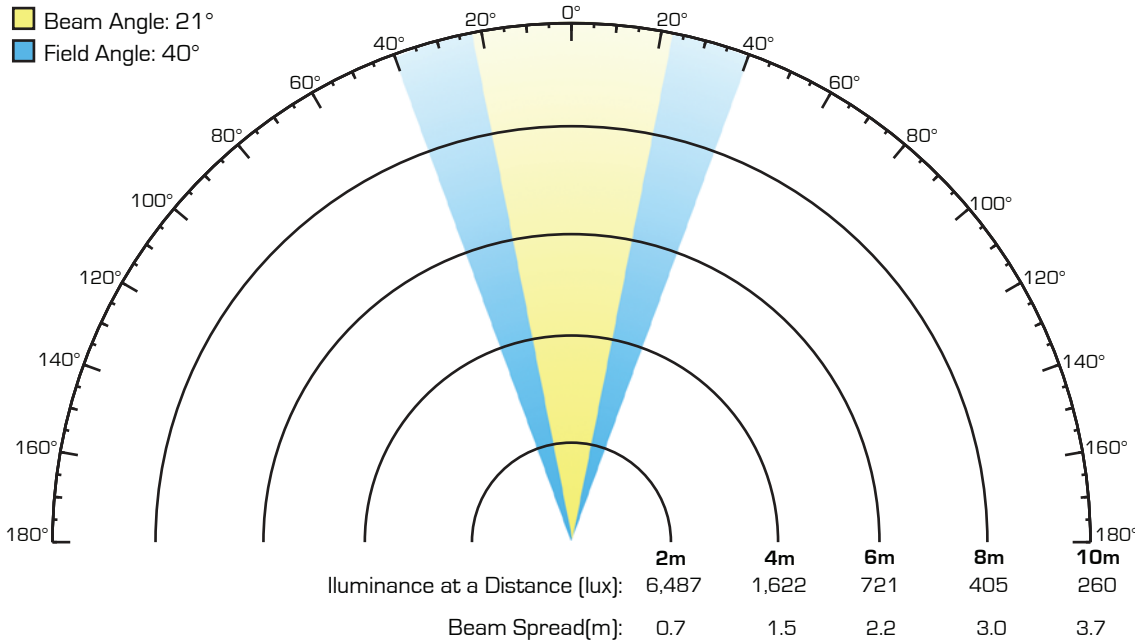
Client: _____

Project: _____

Date: _____ Type: _____

Illumipod 54g2 IP Optic 30 RGBW

- Beam Angle: 21°
- Field Angle: 40°



Illumipod 54g2 IP Optic 30 RGBW Typical Installation

