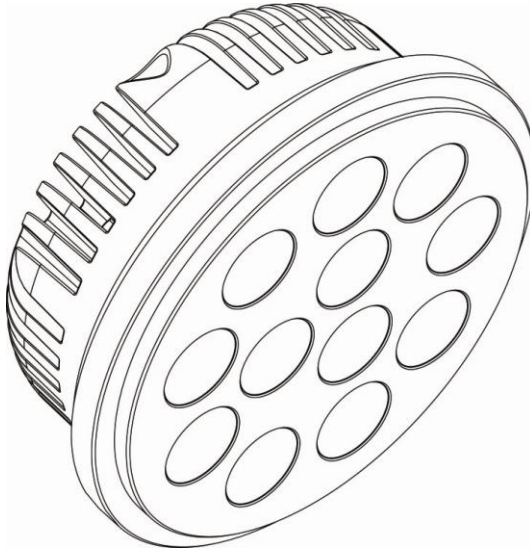


Illumipod LΩgic™ 12 Optic RGB

USER MANUAL



ILUMINARC™
www.ILUMINARC.com
(954) 923-3680

Safety Instructions



Please read these instructions carefully, which includes important information about the installation, usage and maintenance of this product.

- Intended for use with LΩgic™ series devices.
- Please keep this User Guide for future consultation. If you sell the unit to another user, be sure that they also receive this instruction booklet.
- Maximum ambient temperature (Ta) is 104°F (40°C). Do not operate fixture at temperatures higher than this.
- In the event of a serious operating problem, stop using the unit immediately. Never try to repair the unit by yourself. Repairs carried out by unskilled people can lead to damage or malfunction. Please contact the nearest authorized technical assistance center. Always use the same type spare parts.
- Make sure the power cord is never crimped or damaged.
- Never disconnect the power/signal cable by pulling or tugging on the cable.
- Avoid direct eye exposure to the light source while it is on.

Caution! *There are no user serviceable parts inside the unit. Do not open the housing or attempt any repairs yourself. In the unlikely event your unit may require service, please contact ILUMINARC™ at: 954-923-3680.*

Caution! *After prolonged periods of operation, the fixture chassis may reach high temperatures. Use caution when handling this fixture.*

Note! *Please refer to local code and regulation for proper installation of this fixture.*

LED Life: ILUMINARC™ rates LED lifetime based on lumen depreciation of 70% of the original output, with data provided by the manufacturer of the LED. Data from the manufacturer of the LED are not independently verified or measured by ILUMINARC™. When the fixture is operating in optimal environmental conditions, the LED lifetime is rated to be 50,000 to 70,000 hours by the LED manufacturer.

LED Binning: LED manufacturers sort LEDs into “bins”, based on variances in color, output intensity and the frequency at which the semiconductor operates. ILUMINARC™ strives to hold its LED manufacturers to the highest standards of binning to optimize consistency in output from fixture to fixture. However, the availability of a single bin cannot be guaranteed. With that in mind, ILUMINARC™ has developed a rigorous control system to seek the best achievable consistency in color and output.

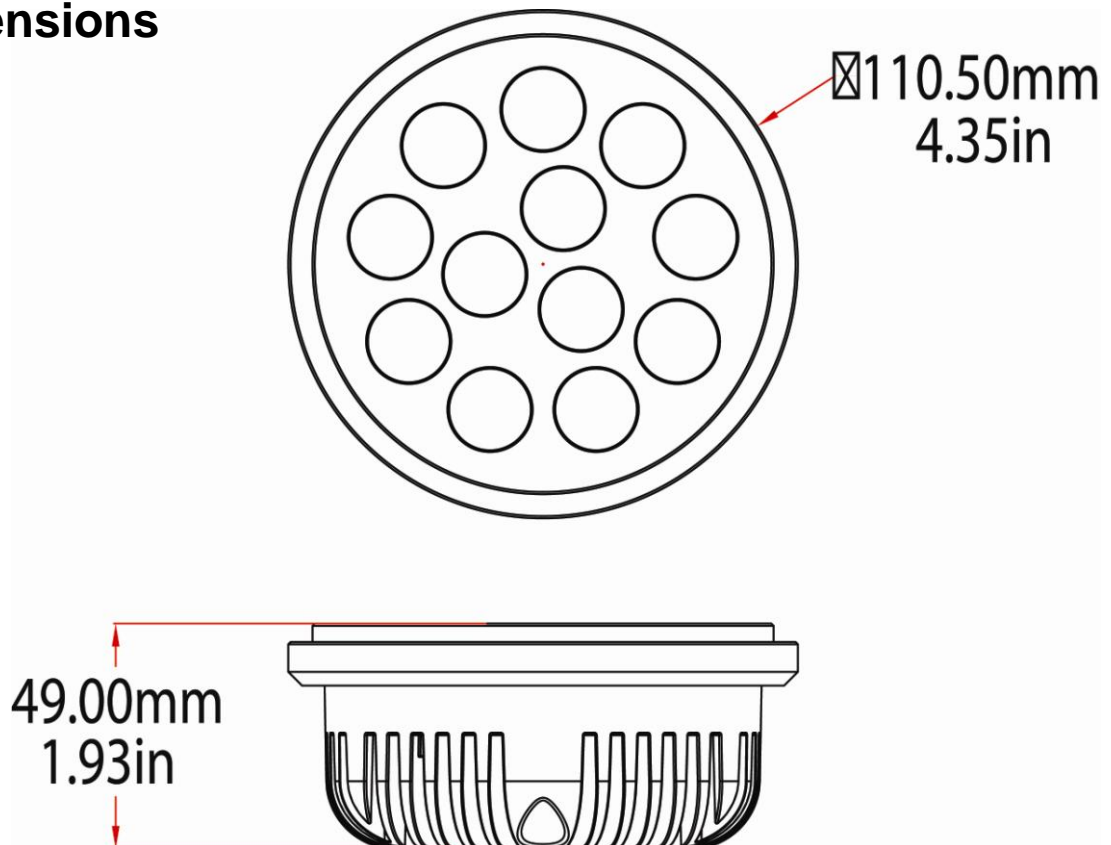
Color Rendering Index (CRI): CRI is an industry standard method to compare properties of different types of light sources. There are known limitations and inconsistencies related to CRI. Results may vary depending on the environmental factors involved. For this reason, the US Department of Energy (DOE) states that CRI should be considered as one point of reference among others in evaluating white LED products and systems.

The following is an excerpt of recommendations from the DOE:

1. Identify the visual tasks to be performed under the light source. If color fidelity under different light sources is critically important (for example in a space where color or fabric comparisons are made under both daylight and electric lighting), CRI values may be a useful metric for rating LED products.
2. CRI may be compared only for light sources of equal CCT. This applies to all light sources, not only to LEDs. Also, differences in CRI values of less than five points are not significant, e.g., light sources with 80 and 84 CRI are essentially the same.
3. If color appearance is more important than color fidelity, do not exclude white light LEDs solely on the basis of relatively low CRI values. Some LED products with CRIs as low as 25 still produce visually pleasing white light.
4. Evaluate LED systems in person and, if possible, on-site when color fidelity or color appearance are important issues.

Source: DOE publication: PNNL-SA-56891, January 2008

Dimensions



Technical Specifications

WEIGHT & DIMENSIONS

Length..... 1.93 in (49 mm)
Diameter.....4.35 in (110.5 mm)
Weight 1.38 lbs (0.63 kg)

LIGHT SOURCE

LED 12 x 1W (4 red, 4, green, 4 blue)

ELECTRICAL SPECIFICATIONS

Input current..... 350mA @ 48V
Power consumption..... 12.9W

POWER/DATA CONNECTION

Power/data inputRJ-45
Power/data cable Belden 1585A Plenum Rated

EXTENDED INFORMATION

Construction..... Cast and extruded aluminum
Power/data cable Belden 1585A Plenum Rated
Direct size replacement.....MR16

WARRANTY INFORMATION

Warranty2-year limited warranty

COMPATIBLE DRIVER

LQgic™ 4X36..... 34X36001

ORDERING DETAILS

Illumipod LQgic™ 12 Optic 15 RGB 21012001
Illumipod LQgic™ 12 Optic 30 RGB 21012002
Trim Ring: White 77777001

LED patch cable: for linking from LQgic™ 4x36 to supported LED fixtures

- **ILUMINARC™ recommends Belden 1585A plenum rated cable.**

Pin	Colour(Wire)	Function
1	white/orange	Red LED+
2	orange	Green LED+
3	white/green	Blue LED+
4	blue	Not used
5	white blue	Red LED-
6	green	Green LED-
7	white/brown	Blue LED-
8	brown	Not used