

ILUMINARC®

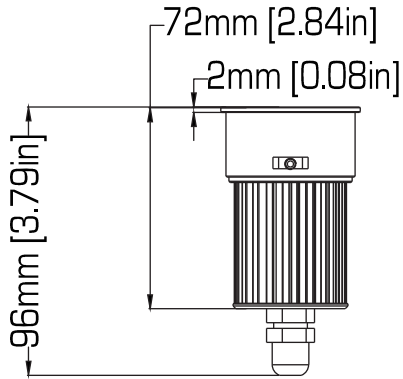
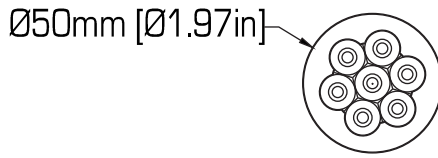
ILUMIPOD LOGIC 6 OPTIC 18 RGB

Item Number: 21006001

Client: _____

Project: _____

Date: _____ Type: _____



LIGHT SOURCE & OPTICAL SPECIFICATIONS

Light Source: 6 LEDs (2 red, 2 green, 2 blue) 1 W (350 mA)
Light Source Lifespan: 50,000 hours based on LED manufacturer's specifications
Installed Optics: 18°
Beam Angle: 23°
Field Angle: 47°
Lumens: 121
Base Illuminance: 20 lux @ 5 m
Efficacy: 10.7 lm/W
Color Temperature Presets: N/A
Minimum Distance to Illuminated Surface: 4 in (92 mm)

CONSTRUCTION & PHYSICAL SPECIFICATIONS

Diameter: 1.96 in (50 mm)
Height: 3.8 in (96 mm)
Weight: 0.4 lb (0.2 kg)
Color: Brushed aluminum
Ingress Protection Rating: IP20
Housing Material: Cast and extruded aluminum
Lens Cover: N/A
Installation Orientation: Any

CONTROL SPECIFICATIONS

Control Protocol: USITT DMX-512a, via LOGIC Driver
Control Channels: via LOGIC Driver
Operating Modes: via LOGIC Driver
Stand Alone Control: N/A
Remote Addresser: N/A
Data Connection: 6.6 ft (2 m) RJ45

ELECTRICAL SYSTEM SPECIFICATIONS

Input Voltage: From LOGIC Driver
Power and Current: 11.3 W, 350 mA @ 48 V
Power Supply: Electronic external
Dimmer: N/A
Power Linking: N/A
Power Connection: 6.6 ft (2 m) RJ45

THERMAL SPECIFICATIONS

Cooling: Convection
Startup Temperature Range: 68 °F to 104 °F (20 to 40) °C
Operating Temperature Range: 68 °F to 104 °F (20 to 40) °C
Storage Temperature Range: 68 °F to 104 °F (20 to 40) °C

REGULATORY & VOLUNTARY QUALIFICATION

Certification Listings: ETL, CE
Environment: Dry location, IP20
Warranty: 36 month manufacturer's limited warranty (for covered regions only)

Product
Web Page



WWW.ILUMINARC.COM - INFO@ILUMINARC.COM

Iluminarc reserves the right to make improvements to this product
and its specifications at anytime without notice.

ILUMINARC.
5200 NW 108th Ave.
Sunrise, FL 33351
+1.954.923.3680

ILUMINARC®

ILUMIPOD LOGIC 6 OPTIC 18 RGB

Item Number: 21006001

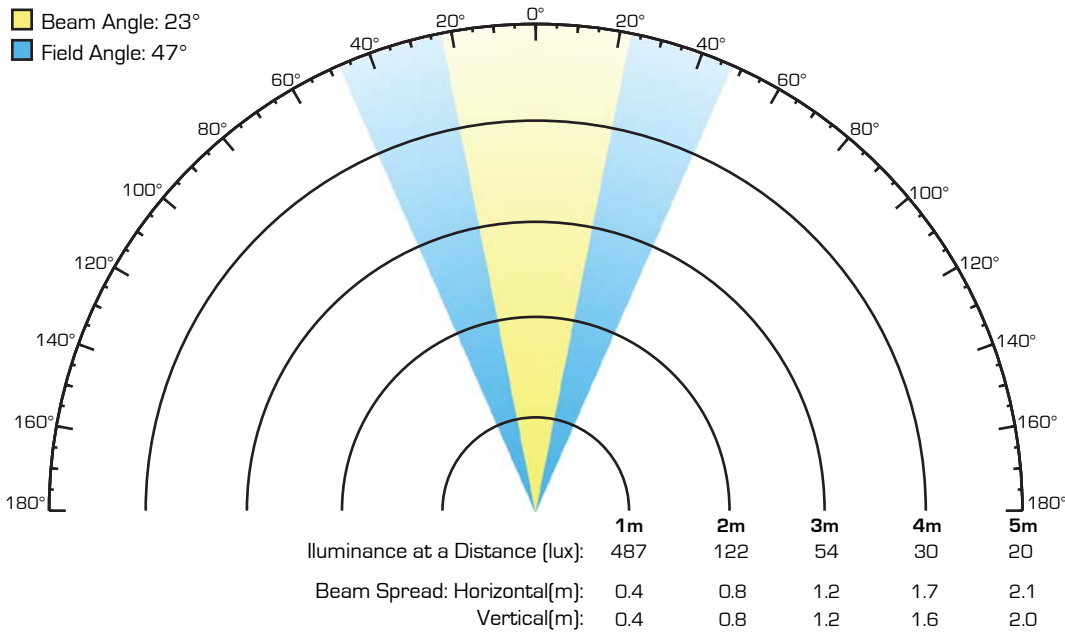
Client: _____

Project: _____

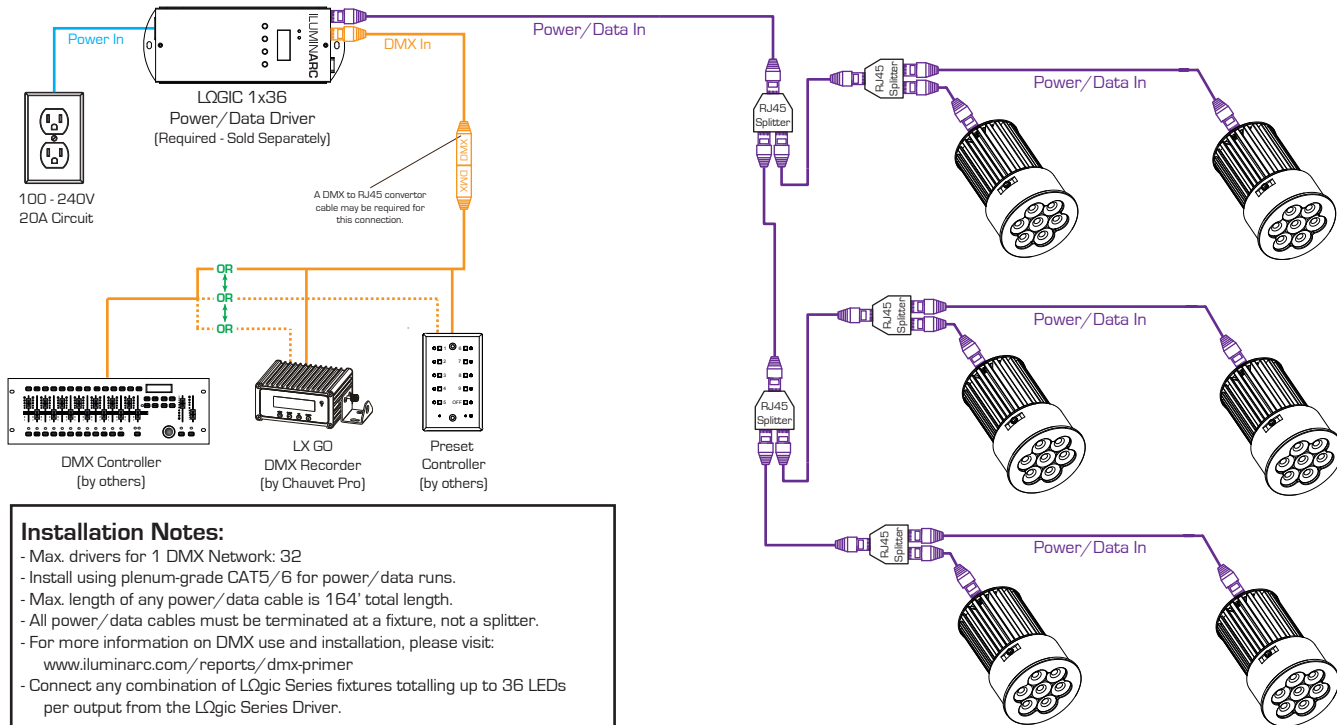
Date: _____ Type: _____

Ilumipod LOGIC 6 Optic 18 RGB

- Beam Angle: 23°
- Field Angle: 47°



ILUMIPOD LOGIC 6 OPTIC 18 RGB Typical Installation



Installation Notes:

- Max. drivers for 1 DMX Network: 32
- Install using plenum-grade CAT5/6 for power/data runs.
- Max. length of any power/data cable is 164' total length.
- All power/data cables must be terminated at a fixture, not a splitter.
- For more information on DMX use and installation, please visit: www.iluminarc.com/reports/dmx-primer
- Connect any combination of LOGIC Series fixtures totalling up to 36 LEDs per output from the LOGIC Series Driver.

Key:

— Power — DMX — Power/Data Temp. DMX