

ILUMINARC®

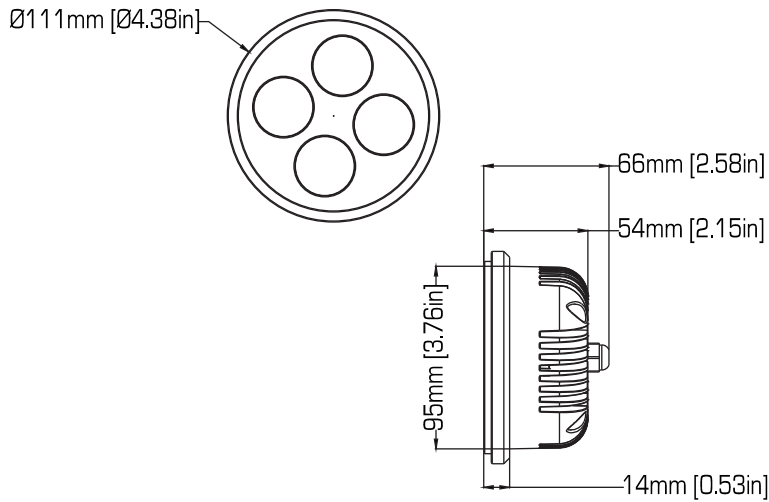
ILUMIPOD LOGIC TRI-4 OPTIC 25 RGB

Item Number: 21004001

Client: _____

Project: _____

Date: _____ Type: _____



LIGHT SOURCE & OPTICAL SPECIFICATIONS

Light Source: 4 LEDs (Tri-color, RGB) 3 W (1,050 mA)
Light Source Lifespan: 50,000 hours based on LED manufacturer's specifications
Installed Optics: 25°
Beam Angle: 16°
Field Angle: 29°
Lumens: 351
Base Illuminance: 139 lux @ 5 m
Efficacy: 19 lm/W
Color Temperature Presets: N/A
Minimum Distance to Illuminated Surface: 4 in (92 mm)

CONSTRUCTION & PHYSICAL SPECIFICATIONS

Diameter: 4 in (111 mm)
Height: 2.6 in (66 mm)
Weight: 1.4 lb (0.6 kg)
Color: Brushed aluminum
Ingress Protection Rating: IP20
Housing Material: Cast and extruded aluminum
Lens Cover: N/A
Installation Orientation: Any

CONTROL SPECIFICATIONS

Control Protocol: USITT DMX-512a, via LOGIC Driver
Control Channels: via LOGIC Driver
Operating Modes: via LOGIC Driver
Stand Alone Control: N/A
Remote Addresser: N/A
Data Connection: 6.6 ft (2 m) RJ45

ELECTRICAL SYSTEM SPECIFICATIONS

Input Voltage: From LOGIC Driver
Power and Current: 18.5 W, 350 mA @ 48 V
Power Supply: Electronic external
Dimmer: N/A
Power Linking: N/A
Power Connection: 6.6 ft (2 m) RJ45

THERMAL SPECIFICATIONS

Cooling: Convection
Startup Temperature Range: 68 °F to 104 °F (20 to 40) °C
Operating Temperature Range: 68 °F to 104 °F (20 to 40) °C
Storage Temperature Range: 68 °F to 104 °F (20 to 40) °C

REGULATORY & VOLUNTARY QUALIFICATION

Certification Listings: ETL, CE
Environment: Dry location, IP20
Warranty: 36 month manufacturer's limited warranty (for covered regions only)

Product
Web Page



WWW.ILUMINARC.COM - INFO@ILUMINARC.COM

Iluminarc reserves the right to make improvements to this product
and its specifications at anytime without notice.

ILUMINARC.
5200 NW 108th Ave.
Sunrise, FL 33351
+1.954.923.3680

ILUMINARC®

ILUMIPOD LOGIC TRI-4 OPTIC 25 RGB

Item Number: 21004001

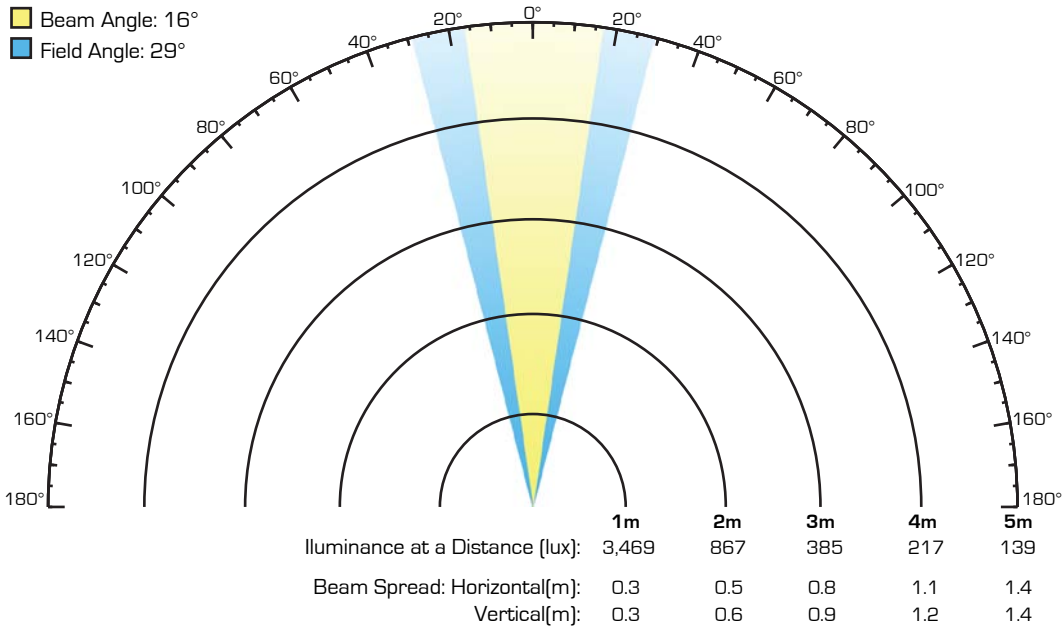
Client: _____

Project: _____

Date: _____ Type: _____

Illumipod LOGIC Tri-4 Optic 25 RGB

- Beam Angle: 16°
- Field Angle: 29°



ILUMIPOD LOGIC TRI-4 OPTIC 25 RGB Typical Installation

