

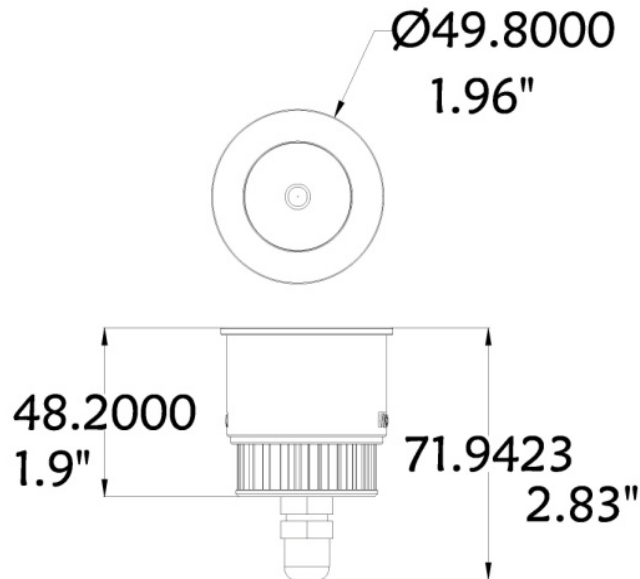
Illumipod LQgic™ Tri-1 Optic 25 RGB  
Item Number: 21001001

ILUMINARC®

## SPECIFICATION



- Compatible with LQgic™ system devices
- Light weight and durable construction
- Plenum rated cable
- High power 3 W (1,050 mA) LED
- Direct MR16 replacement



### Physical

Length: 2.8 in (72 mm)  
Diameter: 4 in (111 mm)  
Height: 2.8 in (72 mm)  
Weight: .4 lbs (.17 kg)

### Optics

Light source: 1 x 3 W 1,050 mA (1 tri-color red, green, blue) LEDs  
Minimum LED lifetime: 50,000 hrs based on manufacturers specifications

*JOB INFORMATION* Type: \_\_\_\_\_

Job Name: \_\_\_\_\_


Cat. Number: \_\_\_\_\_

Notes:

# Illumipod LQgic™ Tri-1 Optic 25 RGB

Item Number: 21001001

ILUMINARC®

<b>Construction</b>	Color: Silver Housing: Cast aluminum Protection rating: IP20
<b>Control</b>	Determined by software installed into LQgic™ driver that has been selected
<b>Installation</b>	Orientation: Any Minimum distance to illuminated surface: 4 in (92 mm)
<b>Connections</b>	Power and data cable entry: Belden 1585A plenum rated with RJ45 connector 79 in (2,000 mm)
<b>Electrical</b>	Power supply: LQgic™ driver
<b>Input current</b>	350 mA @ 48 V
<b>Power consumption</b>	7.4 W
<b>Thermal</b>	Cooling: Convection Maximum ambient temperature (Ta max): 40° C (104° F)
<b>Approvals</b>	 CONFORMS TO UL STD. 1573 CERTIFIED TO CSA STD. C22.2 No. 106 3144482
<b>Included items</b>	Illumipod LQgic™ Tri-1 Optic RGB Warranty Card User Manual
<b>Accessories</b>	Trim ring: Brushed aluminum (66666001) Trim ring: White (66666002)

Specification subject to change without notice

*JOB INFORMATION* Type: \_\_\_\_\_

Job Name: \_\_\_\_\_

Cat. Number: \_\_\_\_\_

Notes:

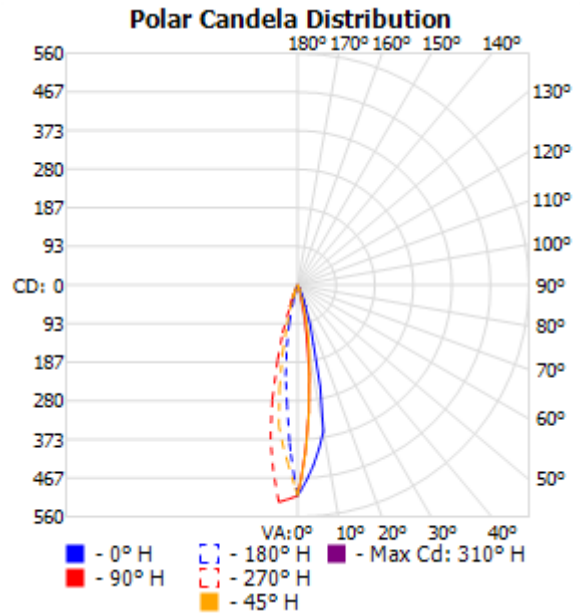
# Ilumipod LQgic™ Tri-1 Optic 25 RGB

Item Number: 21001001

ILUMINARC®

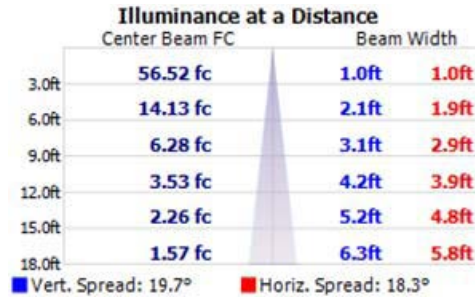
Filename: Ilumipod Logic Tri-1 Optic 25 RGB-  
RGB\_IESNA2002

Manufacturer: ILUMINARC  
 Luminaire: ILUMIPOD LOGIC Tri-1 OPTIC RGB 25 DEGREE  
 Luminaire Cat: 21001001  
 Lamp: 1 RED,1 GREEN,1 BLUE  
 Lamp Output: 1 lamp(s), rated Lumens/lamp: 115  
 Max Candela: 553.9 at Horizontal: 310, Vertical: 7.5  
 Input Wattage: 7.4  
 Luminous Opening: Point  
 Test: 2009430RGB  
 Test Lab: Iluminarc R&D Optics Laboratory  
 Photometry : Type B  
 CIE Class: Direct  
 Cutoff Class: Full Cutoff



### Flood Summary

	Efficiency	Lumens	Horizontal Spread	Vertical Spread
Field (10%):	54.5%	62.7	34.7	35.1
Beam (50%):	28.3%	32.6	18.3	19.7
Total:	64.7%	74.4		



Photometrics Pro 1.3.2 copyright 2003-2008 by jSolutions, Inc.  
 Reported data calculated from manufacturer's data file, based on IES recommended methods.

*JOB INFORMATION* Type: \_\_\_\_\_

Job Name: \_\_\_\_\_

Cat. Number: \_\_\_\_\_

Notes: