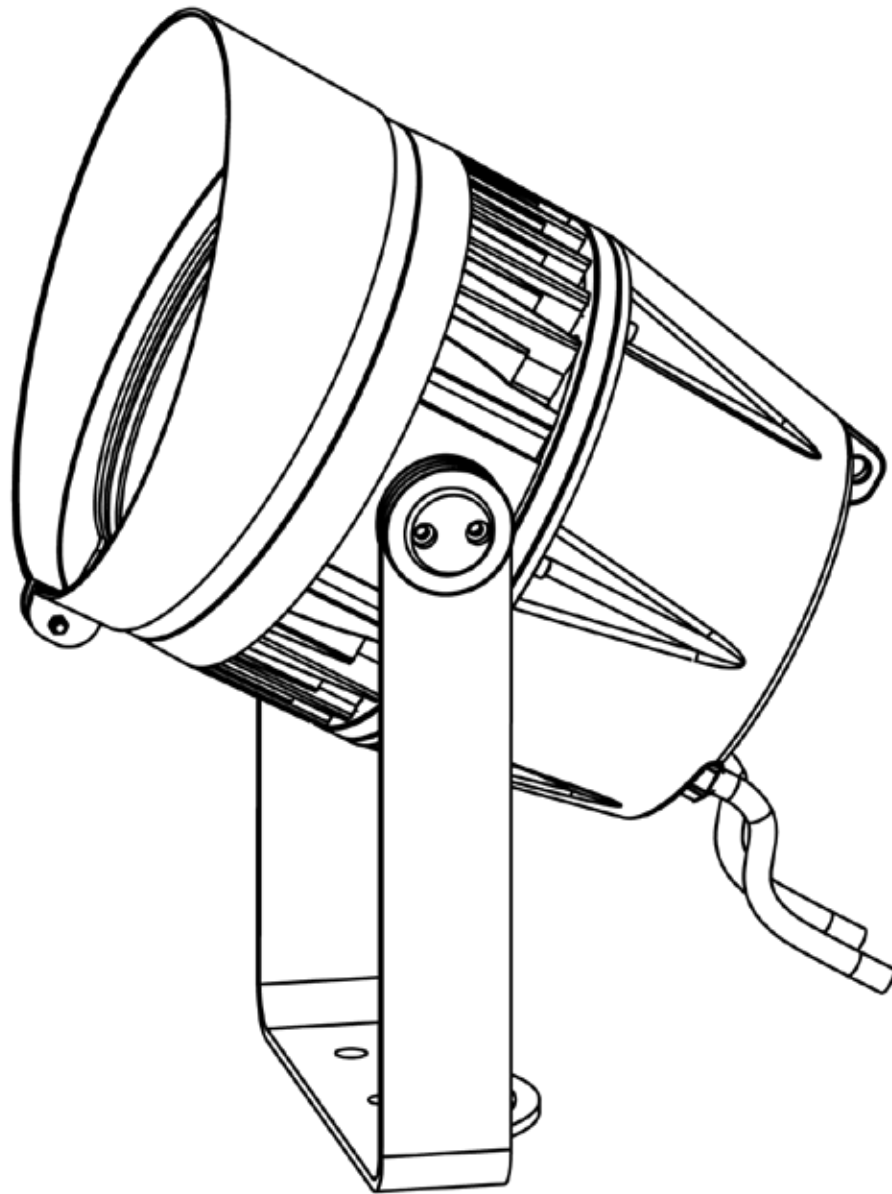


ILUMIPOD 54g2 IP

User Manual



ILUMINARC

Edition Notes

The Ilumipod 54g2 IP User Manual Rev. 3 covers the description, safety precautions, installation, programming, operation, and maintenance of the Ilumipod 54g2 IP. ILUMINARC released this edition of the Ilumipod 54g2 IP User Manual Rev. 3 in April 2018. Read the guide that shipped with the Ilumipod 54g2 IP and this User Manual before installing, operating, or maintaining this product.

Trademarks

The ILUMINARC logo, the ILUMINARC name and all other trademarks in this document related to services or products by ILUMINARC are trademarks owned or licensed by ILUMINARC, its affiliates or subsidiaries. Any other product names, logos, brands, company names, trademarks featured or referred to within this document are the property of their respective trademark holders.

Manual Usage

ILUMINARC authorizes its customers to download and print this manual for professional information purposes only. ILUMINARC expressly prohibits the usage, copy, storage, distribution, modification, or printing of this manual or its content for any other purpose without its written consent.

Document Printing

For better results, print this document in color, on letter size paper (8.5 x 11 in), double-sided. If using A4 paper (210 x 297 mm), configure your printer to scale the content of this document to A4 paper.

Disclaimer

ILUMINARC believes that the information contained in this manual is accurate in all respects. However, ILUMINARC assumes no responsibility for any error or omissions in this document. ILUMINARC reserves the right to revise this document and to make changes from time to time in the content without obligation of ILUMINARC to notify any person or company of such revision or changes. ILUMINARC may issue a revision of this manual or a new edition of it to incorporate such changes. This does not constitute in any way a commitment by ILUMINARC to make such changes.

Document Revision

The Ilumipod 54g2 IP User Manual Rev. 3 is the first edition of this manual. Go to <http://www.ILuminarc.com/> for the latest version.

Copyright Notice

The entire content of this document, except where applicable and unless otherwise noted, is solely owned by ILUMINARC, a wholly owned trademark of Chauvet & Sons, LLC.

© Copyright 2018 ILUMINARC.

All rights reserved.

Electronically published by ILUMINARC in the United States of America.

--	--	--	--

Table of Contents

1. Introduction	1
What Is In The Box	1
Unpacking Instructions	1
Claims	1
Text Conventions	1
Safety Notes	2
Personal Safety	2
Mounting and Installation	2
Power and Wiring	2
Operation	2
2. Product Description	3
Features	3
Options	3
Product Overview	4
Product Dimensions	5
3. Installation	6
Mounting	6
Orientation	6
Installation	6
AC Power	7
Power Consumption	7
AC Plug	7
Power Wiring	7
DMX Linking	8
DMX Modes	8
Signal Wiring	8
Protocol Connectivity	8
Controllers	9
DMX Controller	9
Ilumicode addresser	10
4. Operation	11
ILUMICODE ADDRESSER	11
Ilumicode Panel Description	11
Control Options	11
Programming	11
DMX Personality	11
DMX Starting Address	11
Static Colors	12
Dimmer	12
Color	12
Whites Setting	12
Reset to Factory Settings	12
Menu Map (Ilumicode)	13
DMX Values	14
ARC FULL	14
ARC 1	14
ARC 1 + D	14
SOLID	14
SPECIAL 2	15
ARC 2	15
ARC 2+D	15

5. Technical Information	16
Product Maintenance.....	16
Product Repairs	16
Photometrics.....	17
LED Disclaimer	18
LED Life	18
LED Binning	18
Color Rendering Index (CRI).....	18
Return Procedure	19
Technical Specifications	20

1. Introduction



Critical installation, configuration, or operation information. Failure to comply with this information may render the product partially or completely inoperative, damage third-party equipment, or cause harm to the user



Important installation or configuration information. Failure to comply with this information may prevent the product from functioning correctly.



Useful information.



The term "DMX" used throughout this document refers to the USITT DMX512-A transmission protocol.

What Is In The Box

- Ilumipod 54g2 IP
- Power Input Cord
- Data Input/Output Cord
- Warranty Card
- Quick Reference Guide

Unpacking Instructions

Immediately upon receiving a product from ILUMINARC, carefully unpack the carton. Check the contents of the box to ensure that all parts are present and that they are in good condition.

Claims

The carrier is responsible for any damage incurred during shipping. Therefore, if the received merchandise appears to have been damaged during shipping, the customer must submit the damage report and any related claims to the carrier, not ILUMINARC. The customer must submit the report upon receipt of the damaged merchandise. Failure to do so in a timely manner may invalidate the customer's claim with the carrier.

For other issues such as missing components or parts, damage not related to shipping, or concealed damage, the customer must make claims to ILUMINARC within 7 days of receiving the merchandise.

Text Conventions

Convention	Meaning
1-512	A range of values in the text
50/60	A set of mutually exclusive values in the text
"ILUMICON UM"	The name of another publication or manual
<SET>	A button on the product's control panel
Settings	A product function or a menu option
MENU > Settings	A sequence of menu options
1-10	A range of menu values from which to choose in a menu
Yes/No	A set of two mutually exclusive menu options in a menu
ON	A unique value to enter or select in a menu



There are no user-serviceable parts inside this product. Any reference to servicing you may find in this User Manual will only apply to properly certified ILUMINARC technicians. Do not open the housing or attempt any repairs unless you are certified to do so.



Please refer to all applicable local codes and regulations for the proper installation of this product.



Keep this manual for future consultation. If you sell this product to another user, make sure that they also receive this manual.



In the unlikely event that your Ilumipod 54g2 IP may require service, please contact ILUMINARC Technical Support.

Safety Notes

Please read all the following Safety Notes carefully because they include important information on how to install, use, and maintain this product safely.

Personal Safety

- Avoid direct eye exposure to the light source while the product is on.
- Always disconnect this product from its power source before servicing.
- Always connect this product to a grounded circuit to avoid the risk of electrocution.
- Do not touch this product's housing when operating because it may be very hot.

Mounting and Installation

- This product is for outdoor use and can be submerged (IP67) at a depth of 1 m or less and for 30 minutes or less. Do not submerge deeper than 1 m for more than 30 minutes.
- Not for permanent outdoor installation in locations with extreme environmental conditions. This includes, but is not limited to:
 - Exposure to a marine/saline environment (within 3 miles of a saltwater body of water).
 - Where the normal high or low temperatures of the location exceed the temperature ranges in this manual.
 - Locations that are prone to flooding or being buried in snow.
 - Other areas where the product will be subject to extreme radiation or caustic substances.
- **CAUTION:** When transferring product from extreme temperature environments, (e.g. cold truck to warm humid ballroom) condensation may form on the internal electronics of the product. To avoid causing a failure, allow product to fully acclimate to the surrounding environment before connecting it to power.
- Make sure there are no flammable materials close to this product while it is operating.
- When hanging this product, always secure it to a fastening device using a safety cable.

Power and Wiring

- Always make sure that you are connecting this product to the proper voltage, as per the specifications in this manual or on the product's sticker.
- Never connect this product to a dimmer pack.
- Make sure that the power input cable is not cracked, crimped, or damaged.
- Never disconnect this product by pulling on the power input cable.

Operation

- The maximum ambient temperature is 113 °F (45 °C). Do not operate this product at a higher temperature.
- In case of a serious operating problem, stop using this product immediately!

2. Product Description

The Ilumipod 54g2 IP is an LED wash light intended to light a variety of both indoor and outdoor applications. The product consists of a cast aluminum body containing a power supply, control unit, and an adjustable bracket. The DMX input and output is located on the rear of the product.

Features

- 1, 3, 4, 5, 7 or 8-channel RGBW LED wash product
- Operating modes:
 - 1-channel: Dimmer
 - 3-channel: RGB control
 - 4-channel: RGB, dimmer
 - 4-channel: RGBW
 - 5-channel: RGBW, dimmer
 - 7-channel: RGB, dimmer, color macro, strobe, dimmer speed
 - 8-channel: RGBW, dimmer, color macro, strobe, dimmer speed
- Pre-programmed color macros
- RGBW color mixing with or without DMX control
- Built-in color temperature presets
- Five distinct dimming curves
- Adjustable bracket
- Impact resistant glass lens cover
- Cast aluminum, IP67 housing

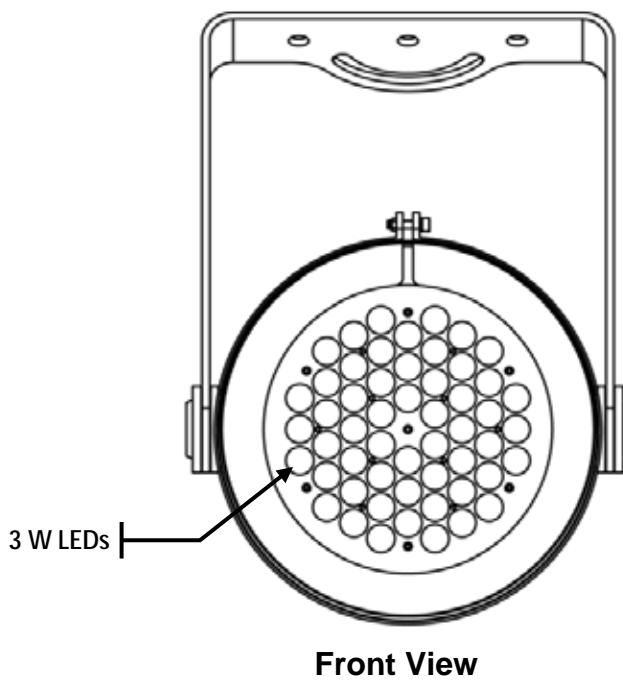
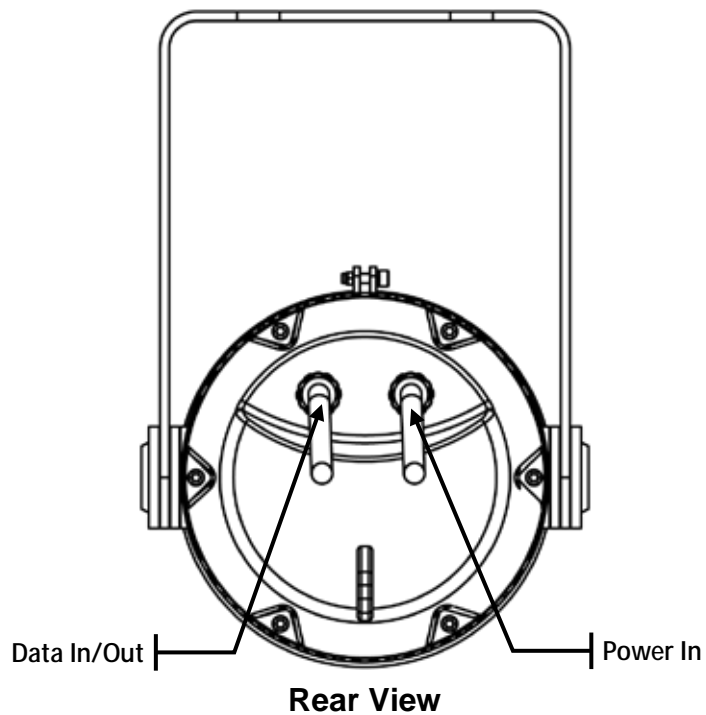
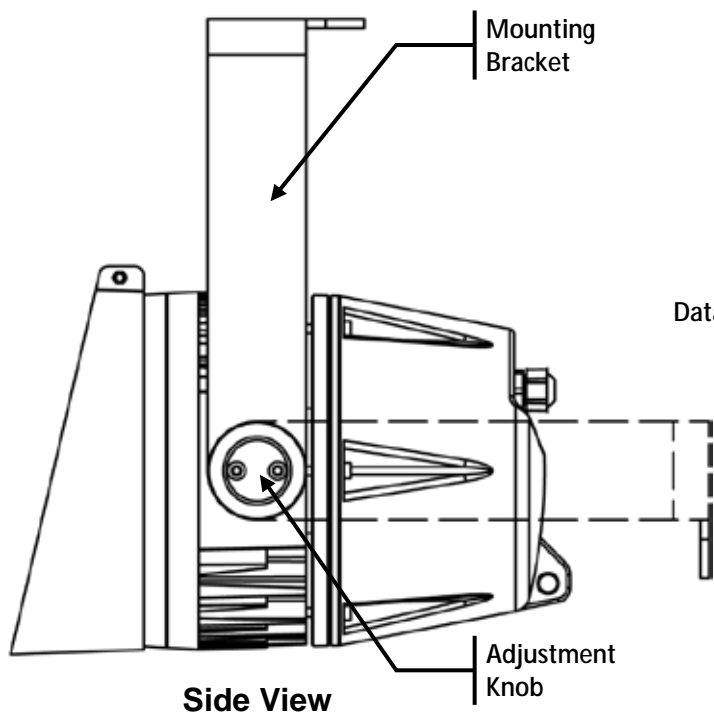
Options

- ILUMICODE addresser (for product configuration)

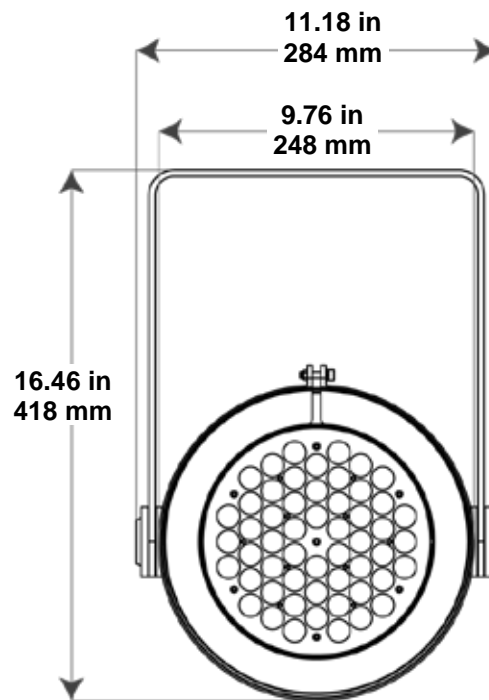
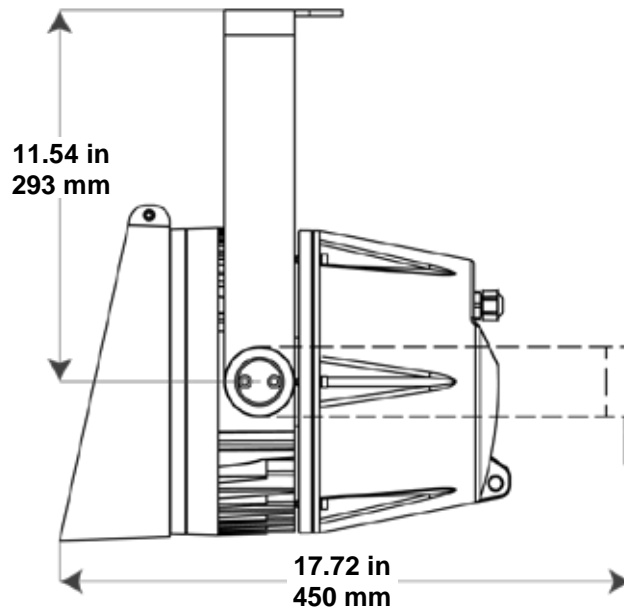


- The RDM2go, which includes a built in ilumicode addresser along with many other useful features is now available.
- The Ilumicode addresser is required for product configuration (sold separately).

Product Overview



Product Dimensions



3. Installation

Mounting

Before mounting this product, read and follow the safety recommendations indicated in the [Safety Notes](#).

Orientation

Always mount this product in a safe position, making sure there is adequate room for ventilation, configuration, and maintenance.

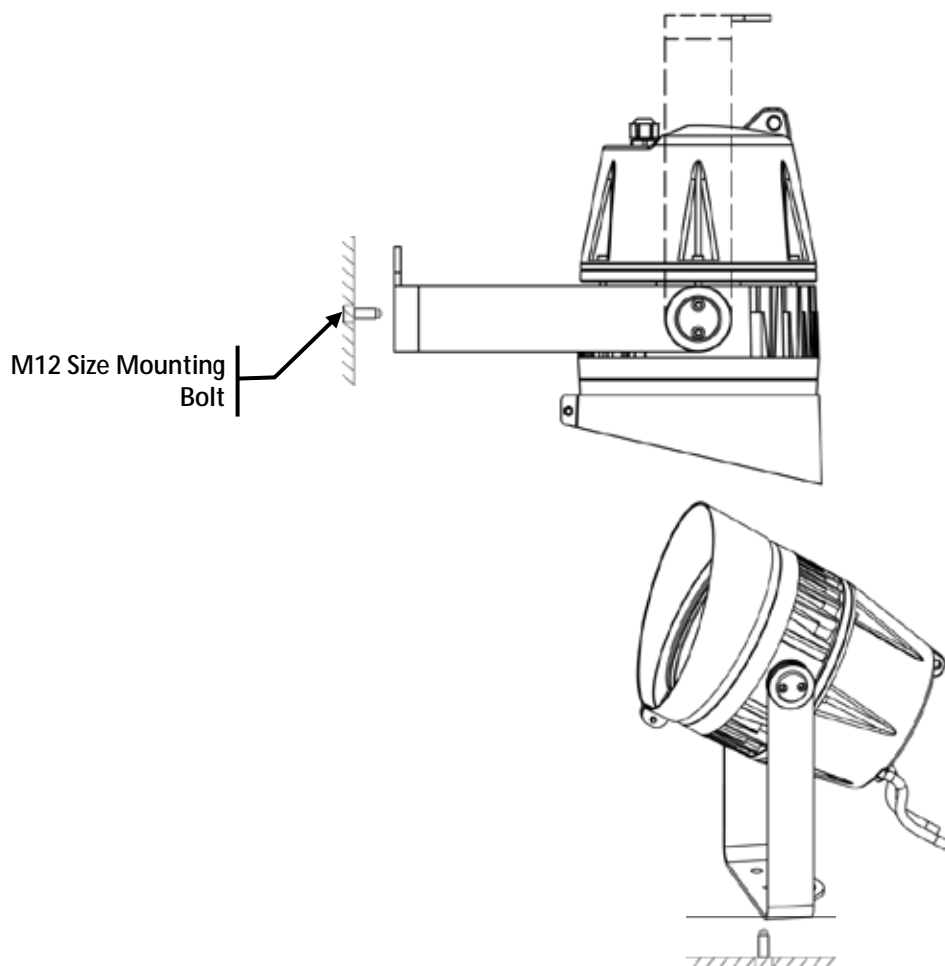
Installation



Make sure to mount this product away from any flammable material as indicated in the [Safety Notes](#).

The Ilumipod 54g2 has 3 mounting points on the mounting bracket to secure it to almost any surface provided that it can support the product's weight. ILUMINARC recommends following the general guidelines below when mounting the Ilumipod 54g2 IP.

- When selecting an installation location, consider ease of access to the product for operation, programming adjustments and routine maintenance.
- Make sure the product's mounting location can support its weight. See the [Technical Specifications](#) for the weight requirement(s) of this product.





Always connect the Ilumipod 54g2 IP to a protected circuit with an appropriate electrical ground to avoid the risk of electrocution or fire.



Never connect the Ilumipod 54g2 IP to a rheostat (variable resistor) or dimmer circuit, even if the rheostat or dimmer channel serves only as a 0–100% switch.



Make sure to connect the Ilumipod 54g2 IP to a power line with the proper voltage and frequency, as per the specifications in this manual or on the product's sticker.

AC Power

The Ilumipod 54g2 IP has an auto-ranging power supply that works with an input voltage range of 100–277 VAC, 50/60 Hz.

Make sure that you are connecting this product to the proper voltage, as per the specifications in this User Manual or on the product's sticker.

Power Consumption

To determine the power requirements for the Ilumipod 54g2 IP, refer to the label affixed to the side of the product. Alternatively, you may refer to the [Technical Specifications](#).

The listed current rating indicates the maximum current draw during normal operation.

AC Plug

The Ilumipod 54g2 IP comes with a bare-ended power input cord for hardwire installation. Use the table and the illustration below to wire a plug.

Connection	Wire (U.S.)	Screw Color (U.S.)	Wire (Europe)	IP67 Pin
AC Live	Black	Yellow or Brass	Brown	1
AC Neutral	White	Silver or Gray	Blue	2
AC Ground	Green/Yellow	Green	Green/Yellow	3

Power Wiring

You can connect the bare-ended, IP67-rated AC power cable from the product to an IP67-rated power connector or IP67-rated junction box.

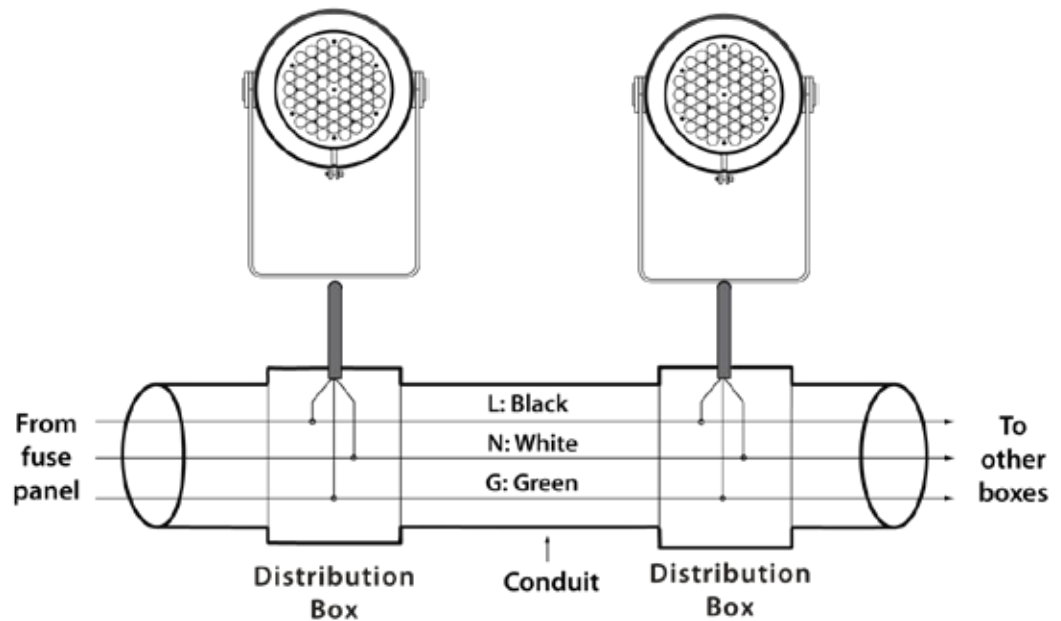
If using junction boxes, make sure to use IP67-rated conduit for surface installations.



The listed current rating indicates the maximum current draw during normal operation.



If you choose to bury the power or signal distribution boxes, make sure that they are IP67-rated or greater.





The Ilumipod 54g2 IP must be linked using DMX cable in a daisy chain (serial) fashion. To comply with the EIA-485 standard, no more than 32 products should be connected on one daisy chain without using a DMX optically isolated splitter. Doing otherwise may result in deterioration of the digital DMX signal.



USITT recommends limiting the total length of the DMX cable (from the first product/controller to the last product) to 300–455 m (985–1,500 ft).



Disconnect the product from the AC power before opening it.



The signal cable must match or exceed the electrical characteristics of the Belden 9841 cable for EIA RS-485 applications. You may also use CAT5, 5e, or CAT6 LAN cable.

DMX Linking

You may link the Ilumipod 54g2 IP to a DMX controller using a standard DMX serial connection. If using other DMX products compatible with the Ilumipod 54g2 IP, you can control each individually with a single DMX controller.

If you are not familiar with the DMX standard, or if you need information about the DMX cables needed to link the Ilumipod 54g2 IP to a DMX controller, you may download the DMX Primer from the ILUMINARC website at <http://www.iluminarc.com/reports/dmx-primer>.

DMX Modes

The Ilumipod 54g2 IP uses the standard DMX data connection for all of its DMX personalities. Refer to the [Introduction](#) chapter for a brief description of these modes. Refer to the Operation chapter to learn how to configure the Ilumipod 54g2 IP to work in these modes. The [DMX Values](#) section provides detailed information regarding the DMX modes.

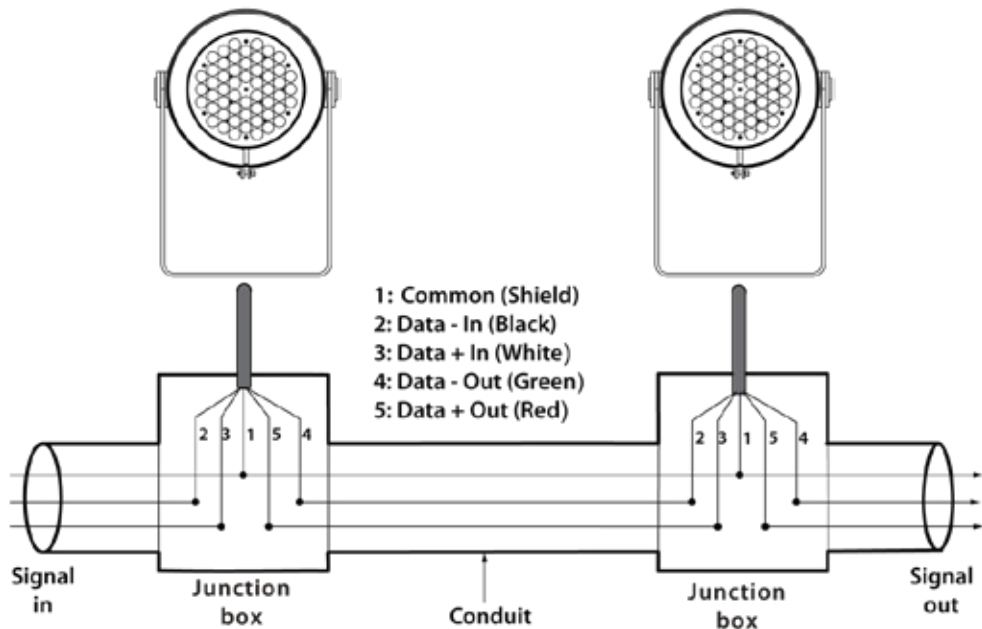
DMX Mode	DMX Address	DMX Mode	DMX Address	DMX Mode	DMX Address
SOLID	512	ARC2	509	SPECIAL2	505
ARC1	510	ARC2+D	508		
ARC1+D	509	ARC FULL	506		

Signal Wiring

To provide signal for the Ilumipod 54g2 IP, you can connect the bare-ended, IP67-rated signal cable from the product to two IP67-rated signal connectors (DMX In/DMX Out) or use an IP67-rated junction box. In this case, make sure to use IP67-rated conduit.

Protocol Connectivity

The Ilumipod 54g2 IP uses the USITT DMX 512 protocol. The procedure below illustrates the recommended connection method.



Controllers

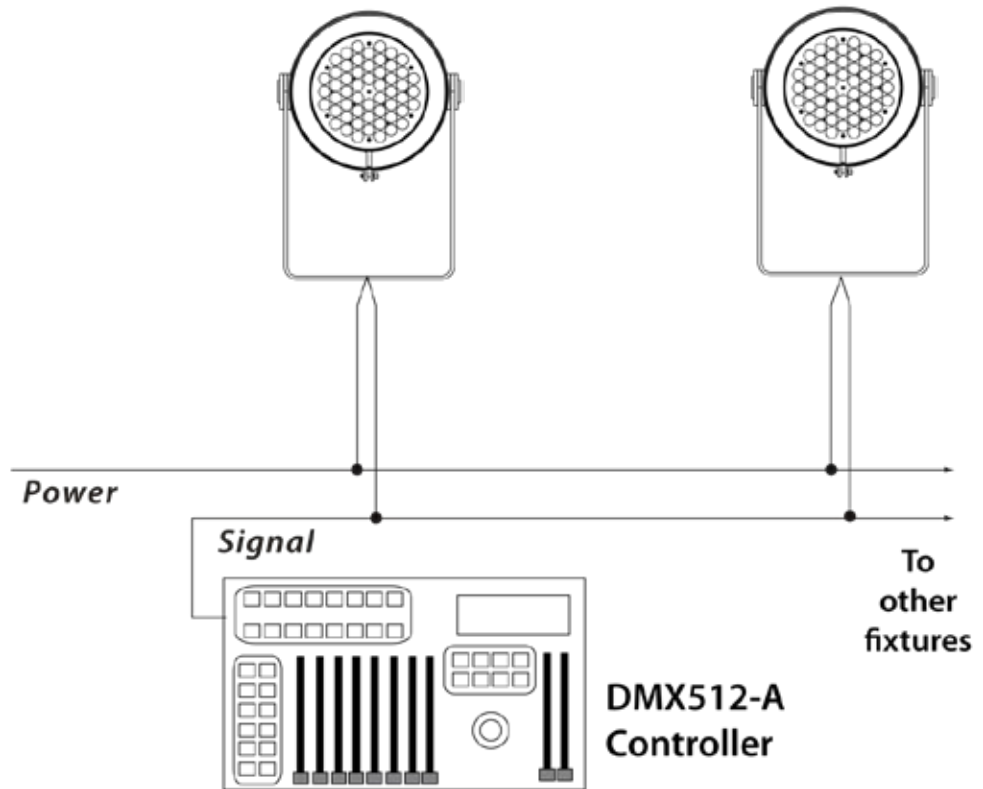
i If you have not configured the DMX starting address and DMX mode for each product, they will all use their default values. This means that all products will operate in unison.

The Ilumipod 54g2 IP can operate with a standard DMX controller or the ILUMICODE addresser. The sections below provide information on how to connect these products to the corresponding controllers. The instructions to operate these products with each of the above controllers are in the [Operation](#) section of this manual.

DMX Controller

The Ilumipod 54g2 IP can work with a standard DMX controller. The channel assignments will depend on the chosen personality (see the corresponding [Menu Map](#) section) and the DMX address assigned to each product (see the [Programming](#) section).

The figure below illustrates how to connect the DMX controller to the Ilumipod 54g2 IP.



i To assign individual DMX addresses to each product, you must connect the Ilumicode addresser to each product, individually.

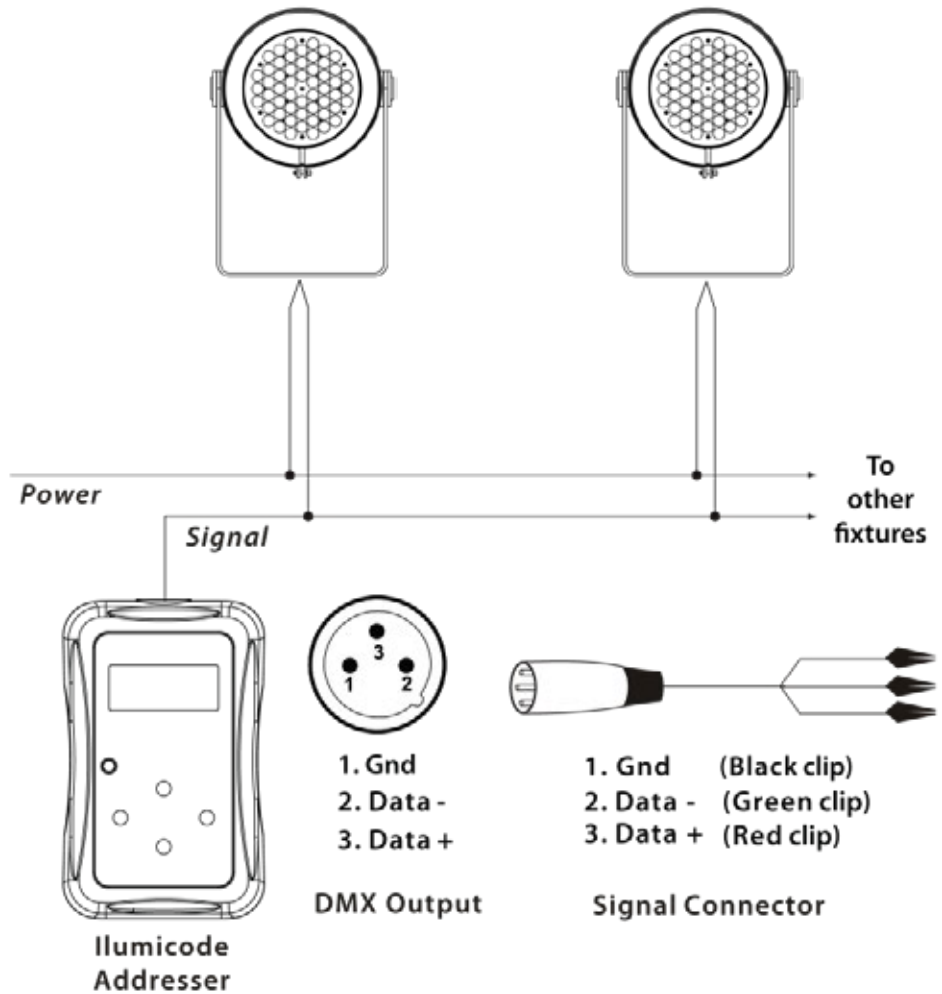
Ilumicode addresser

The Ilumipod 54g2 IP uses the Ilumicode addresser (Ilumicode) for configuration purposes. The diagram below shows how to connect the Ilumicode to this product. This connection will control multiple products at the same time, all having the same DMX address.

i ILUMINARC suggests that you connect no more than 20 products in this mode and keep the total distance to less than 60 m (197 ft). Otherwise, you might need to use an optically isolated signal amplifier.

Important: The Ilumicode must be used to configure this product. The Ilumicode can be purchased separately through your ILUMINARC sales representative.

i The RDM2go, which includes a built in ilumicode addresser along with many other useful features is now available.



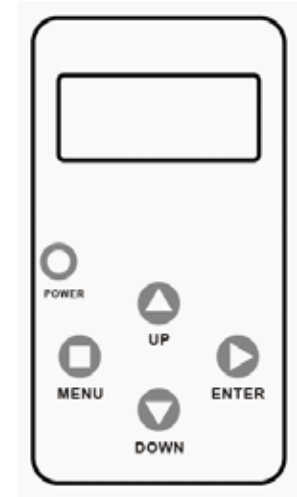
4. Operation

ILUMICODE ADDRESSER

The Ilumipod 54g2 IP needs an external controller, the Ilumicode addresser (Ilumicode), to change its configuration.

Ilumicode Panel Description

Button	Function
<MENU>	Exits from the current menu or function.
<ENTER>	Enables the currently displayed menu or sets the currently selected value into the selected function.
<UP>	Navigates upwards through the menu list and increases the numeric value when in a function.
<DOWN>	Navigates downwards through the menu list and decreases the numeric value when in a function.
<POWER>	Turns the unit on. The unit will turn off automatically after 30 seconds of inactivity.



Control Options

You can set the Ilumipod 54g2 IP start address in the **001–512** DMX range. This allows for the control of up to 64 products in the 8-channel **Special 2** personality.

Programming

Carry out all the programming procedures indicated below from the control panel. Refer to the [Menu Map](#) section to learn how the menu options relate to each other.

Use <ENTER> and <MENU> to change levels in the Menu Map, moving right and left respectively. Use <UP> and <DOWN> to move vertically within the Menu Map.

DMX Personality

1. Go to **PERS** and select any DMX personality.
2. Make sure to rearrange the DMX addresses of all products in the current DMX universe to avoid address overlapping.

DMX Starting Address

1. Go to **DMX**.
2. Select a starting DMX address (**001–512**).



When you scroll through the menu options, you will see many of them that do not correspond with the menu map. Skip them, as they do not work with the RGBW only output products.

Static Colors

1. Go to **STATIC**.
2. Select a color or effect (**Red, Green, Blue, Cool, or Strobe**).
3. Select a color value (**000–255**) or a strobe frequency (**0–20**).

Dimmer

This setting gives the user four different options to simulate the dimming curve of an incandescent lighting product.

1. Go to **DIMMER**.
2. Select a dimming curve (**OFF** or **DIM1–4**).

Procedure:

DIMMER	Description
OFF	Dimmer curve is linear with fader
DIM1	Non-linear (fastest)
DIM2	Non-linear (fast)
DIM3	Non-linear (slow)
DIM4	Non-linear (slowest)



DIM1 is the fastest dimming curve and **DIM4** is the slowest.

Color

1. Go to **SETTINGS > COLOR**.
2. Select the color method (**OFF, RGBTOW, or UC**).

Details:

OFF

When the RGB faders are all set to **255**, the output is maximum.

RGB TO W

When the RGB faders are all set to **255**, the output is the selected White color (see **Whites Setting**).

UC

When the RGB faders are all set to **255**, the output matches the same color output of previous versions of this product.

Whites Setting

1. Go to **CALIB**.
2. Select a white color (**WHITE 1–11** or **RGBTOW**).
3. Select an RGB color (**Red, Green, or Blue**).
4. Configure the color value (**0–255**).
5. Repeat steps 3 and 4 for the other RGB colors to obtain a white color.
6. Repeat steps 2 through 5 for the other white colors.

Reset to Factory Settings

1. Go to **SETTINGS > RESET**.
2. Select an option (**YES/NO**).

Menu Map (Ilumicode)

Main Level	Programming Levels			Description
DMX	001-512			Sets the DMX starting address
PERSON	ARC 1			3-channel: RGB control
	ARC 1 + D			4-channel: RGB control + dimmer
	ARC 2			4-channel: RGBW control
	ARC 2 + D			5-channel: RGBW control + dimmer
	ARC FULL			7-channel: RGB control, dimmer, color macro, strobe, dimmer speed
	SOLID			1-channel: Dimmer
	SPECIAL 2			8-channel: RGBW control, dimmer, color macro, strobe, dimmer speed
CALIB	WHITE (01-11)	RED GREN BLUE	000-255	Determines the white balance for the color macros
	RGB			Determines the white balance when RGBTOW is active
DIMMER	OFF			Dimmer works in linear mode
	DIM 1			Dimmer works in non-linear mode, from fast to slow
	DIM 2			
	DIM 3			
	DIM 4			
STATIC	RED	0-255		Configures the static color and effects
	GREN			
	BLUE			
	COOL			
	STRB			
SETTINGS	COLOR	OFF		Maximum output, unbalanced white
		RGBTOW		White output is as per CALIB > RGBTOW settings
		UC		Output matches that of product's previous versions
	RESET	NO/YES		Resets unit to factory default settings

DMX Values

ARC FULL

Channel	Function	Value	Percent/Setting
1	Dimmer	000 ó 255	0–100%
2	Red	000 ó 255	0–100%
3	Green	000 ó 255	0–100%
4	Blue	000 ó 255	0–100%
5	Color Macros + White Balance	000 ó 010	No function
		011 ó 030	R: 100% G: 0–100% B: 0
		031 ó 050	R: 100%–0 G: 100% B: 0
		051 ó 070	R: 0 G: 100% B: 0–100%
		071 ó 090	R: 0 G: 100%–0 B: 100%
		091 ó 110	R: 0–100% G: 0 B: 100%
		111 ó 130	R: 100% G: 0 B: 100%–0
		131 ó 150	R: 100% G: 0–100% B: 0–100%
		151 ó 170	R: 100%–0 G: 100%–0 B: 100%
		171 ó 200	R: 100% G: 100% B: 100%
		201 ó 205	White 1
		206 ó 210	White 2
		211 ó 215	White 3
		216 ó 220	White 4
		221 ó 225	White 5
		226 ó 230	White 6
		231 ó 235	White 7
236 ó 240	White 8		
241 ó 245	White 9		
246 ó 250	White 10		
251 ó 255	White 11		
6	Strobe	000 ó 005	No function
		006 ó 255	Slow–Fast
7	Dimmer Speed	000 ó 009	Preset dimmer speed from display menu
		010 ó 029	Linear dimmer
		030 ó 069	Nonlinear dimming curve 1 (fastest)
		070 ó 129	Nonlinear dimming curve 2
		130 ó 189	Nonlinear dimming curve 3
		190 ó 255	Nonlinear dimming curve 4 (slowest)

ARC 1

Channel	Function	Value	Percent/Setting
1	Red	000 ó 255	0–100%
2	Green	000 ó 255	0–100%
3	Blue	000 ó 255	0–100%

ARC 1 + D

Channel	Function	Value	Percent/Setting
1	Dimmer	000 ó 255	0–100%
2	Red	000 ó 255	0–100%
3	Green	000 ó 255	0–100%
4	Blue	000 ó 255	0–100%

SOLID

Channel	Function	Value	Percent/Setting
1	Dimmer	000 ó 255	0–100%

SPECIAL 2

Channel	Function	Value	Percent/Setting
1	Dimmer	000 ◊ 255	0–100%
2	Red	000 ◊ 255	0–100%
3	Green	000 ◊ 255	0–100%
4	Blue	000 ◊ 255	0–100%
5	White	000 ◊ 255	0–100%
6	Color Macros + White Balance	000 ◊ 010	No function
		011 ◊ 030	R: 100% G: 0–100% B: 0
		031 ◊ 050	R: 100%–0 G: 100% B: 0
		051 ◊ 070	R: 0 G: 100% B: 0–100%
		071 ◊ 090	R: 0 G: 100%–0 B: 100%
		091 ◊ 110	R: 0–100% G: 0 B: 100%
		111 ◊ 130	R: 100% G: 0 B: 100%–0
		131 ◊ 150	R: 100% G: 0–100% B: 0–100%
		151 ◊ 170	R: 100%–0 G: 100%–0 B: 100%
		171 ◊ 200	R: 100% G: 100% B: 100% W: 100%
		201 ◊ 205	White 1
		206 ◊ 210	White 2
		211 ◊ 215	White 3
		216 ◊ 220	White 4
		221 ◊ 225	White 5
		226 ◊ 230	White 6
231 ◊ 235	White 7		
236 ◊ 240	White 8		
241 ◊ 245	White 9		
246 ◊ 250	White 10		
251 ◊ 255	White 11		
7	Strobe	000 ◊ 005	No function
		006 ◊ 255	Slow–Fast
8	Dimmer Speed	000 ◊ 009	Preset dimmer speed from display menu
		010 ◊ 029	Linear dimmer
		030 ◊ 069	Nonlinear dimming curve 1 (fastest)
		070 ◊ 129	Nonlinear dimming curve 2
		130 ◊ 189	Nonlinear dimming curve 3
		190 ◊ 255	Nonlinear dimming curve 4 (slowest)

ARC 2

Channel	Function	Value	Percent/Setting
2	Red	000 ◊ 255	0–100%
3	Green	000 ◊ 255	0–100%
4	Blue	000 ◊ 255	0–100%
5	White	000 ◊ 255	0–100%

ARC 2+D

Channel	Function	Value	Percent/Setting
1	Dimmer	000 ◊ 255	0–100%
2	Red	000 ◊ 255	0–100%
3	Green	000 ◊ 255	0–100%
4	Blue	000 ◊ 255	0–100%
5	White	000 ◊ 255	0–100%

5. Technical Information

Product Maintenance

To maintain optimum performance and minimize wear, clean the products frequently. Usage and environment are contributing factors in determining the cleaning frequency. As a general guideline, products should be cleaned at least twice a month. Dust build-up reduces light output, performance, and can cause overheating. This can lead to reduced light source life. For products containing external optical lenses, clean them periodically to optimize light output. The cleaning frequency depends on the environment in which the product operates. Damp, smoky, or particularly dirty surrounding can cause greater accumulation of dirt on the product's optics, requiring more frequent cleaning.

To clean a product:

1. Unplug the product from power.
2. Wait until the product is at room temperature.
3. Use a vacuum (or dry compressed air) and a soft brush to remove dust collected on the external vents and reachable internal components.
4. Clean all external glass optics and glass surfaces with a mild solution of glass cleaner or isopropyl alcohol, and a soft, lint-free cotton cloth or lens-cleaning tissue.
5. Apply the solution directly to the cloth or tissue and wipe any dirt and grime to the outside edge of the lens.
6. Gently polish the external glass surfaces until they are free of haze and lint.



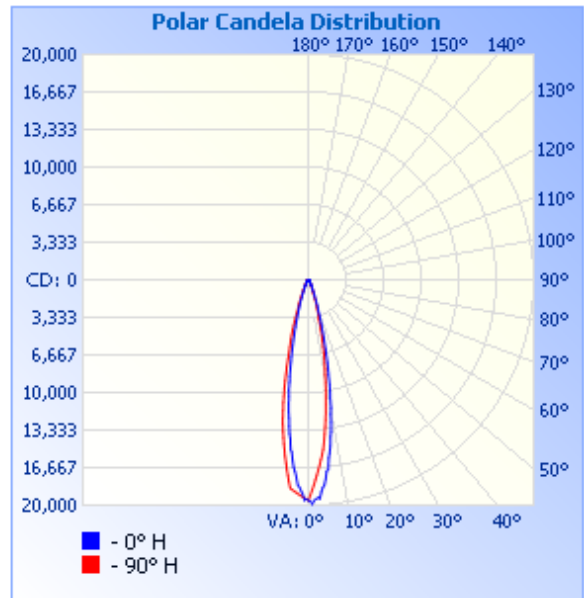
Always dry the external optics and glass surfaces carefully after cleaning them.

Product Repairs

ILUMINARC strongly advises you against attempting any repairs to this product unless you are an authorized ILUMINARC technician.

Photometrics

Filename: RGB 30 2014-7-4_IESNA2002
Manufacturer: ILUMINARC
Luminaire: LED RGB*18
Lamp: ILUMIPOD 54 G2
Lamp Cat: ILUMIPOD 54 G2 OPTIC 30RGB
Lamp Output: 1 lamp, rated Lumens/lamp: 3780
Max Candela: 19,897.0 at Horizontal: 0°, Vertical: 1°
Input Wattage: 154.9
Luminous Opening: Circular (Dia: 0.1M)
Test: 2#
Test Date: 2014-07-03
Photometry : Type B
Cutoff Class: n/a
Nema Type: 3 X 3



Flood Summary			
	Efficiency	Lumens	Horizontal Spread Vertical Spread
Field (10%):	73.9%	2,791.6	39.7 40.2
Beam (50%):	38.6%	1,459.4	21.5 21.1
Total:	94.2%	3,560.1	

Illuminance at a Distance			
	Center Beam LUX	Beam Width	
1.67M	7,033 LUX	0.62 M	0.63 M
3.33M	1,758 LUX	1.24 M	1.26 M
5.00M	782 LUX	1.86 M	1.89 M
6.67M	440 LUX	2.49 M	2.53 M
8.33M	282 LUX	3.11 M	3.16 M
10.00M	195 LUX	3.73 M	3.79 M

■ Vert. Spread: 21.1°
■ Horiz. Spread: 21.5°

LED Disclaimer

LED Life

ILUMINARC rates LED lifetime based on lumen depreciation of 70% of the original output, with data provided by the manufacturer of the LED. Data from the manufacturer of the LED are not independently verified or measured by ILUMINARC. When the product is operating in optimal environmental conditions, the LED lifetime is rated to be 50,000 to 70,000 hours by the LED manufacturer.

LED Binning

LED manufacturers sort LEDs into “bins,” based on variances in color, output intensity, and the frequency at which the semiconductor operates. ILUMINARC strives to hold its LED manufacturers to the highest standards of binning to optimize consistency in output from product to product. However, the availability of a single bin cannot be guaranteed. With that in mind, ILUMINARC has developed a rigorous control system to seek the best-achievable consistency in color and output.

Color Rendering Index (CRI)

CRI is an industry standard method to compare properties of different types of light sources. There are known limitations and inconsistencies related to CRI. Results may vary depending on the environmental factors involved. For this reason, the U.S. Department of Energy (DOE) states that CRI should be considered as one point of reference among others in evaluating white LED products and systems.

The following is an excerpt of recommendations from the DOE:

1. Identify the visual tasks to be performed under the light source. If color fidelity under different light sources is critically important (for example, in a space where color or fabric comparisons are made under both daylight and electric lighting), CRI values may be a useful metric for rating LED products.
2. CRI may be compared only for light sources of equal correlated color temperature. This applies to all light sources, not only to LEDs. Also, differences in CRI values of less than five points are not significant, e.g., light sources with 80 and 84 CRI are essentially the same.
3. If color appearance is more important than color fidelity, do not exclude white light LEDs solely on the basis of relatively low CRI values. Some LED products with CRIs as low as 25 still produce visually pleasing white light.
4. Evaluate LED systems in person and, if possible, on-site when color fidelity or color appearance are important issues.

Source: DOE publication: PNNL-SA-56891, January 2008.

Return Procedure



ILUMINARC reserves the right to use its own discretion to repair or replace returned product(s).

You must send the merchandise prepaid, in the original box, and with its original packing and accessories. ILUMINARC will not issue call tags. Call ILUMINARC and request a Return Merchandise Authorization Number (RMA #) before shipping the product. Be prepared to provide the model number, serial number, and a brief description of the cause for the return. The user must clearly label the package with an RMA #. ILUMINARC will refuse any product returned without an RMA #. **DO NOT write the RMA # directly on the box. Instead, write it on a properly affixed label.**

Once you receive the RMA #, please include the following information on a piece of paper inside the box:

- Your name
- Your address
- Your phone number
- The RMA #
- A brief description of the problem



Always keep the original box and all packaging material as you will need those to ship the product back to ILUMINARC.

Be sure to pack the product properly. Any shipping damage resulting from inadequate packaging will be the customer's responsibility. Proper FedEx packing or double-boxing are recommended.

Contact Us

General Information	Technical Support
Chauvet World Headquarters	
Address: 5200 NW 108th Avenue Sunrise, FL 33351 Voice: (954) 577-4455 Toll free: (800) 762-1084	Voice: (844) 393-7575 Email: support@iluminarc.com Website: www.iluminarc.com
Chauvet Europe Ltd	
Address: Unit 1C Brookhill Road Industrial Estate Pinxton, Nottingham, UK NG16 6NT Voice: +44 (0)1773 511115	Email: uktech@chauvetlighting.com Website: www.chauvetlighting.co.uk
Chauvet Europe BVBA	
Address: Stokstraat 18 9770 Kruishoutem Belgium Voice: +32 9 388 93 97	Email: Eutech@chauvetlighting.com Website: www.chauvetlighting.eu
Chauvet France	
Address: 3, Rue Ampère 91380 Chilly-Mazarin France Voice: +33 1 78 85 33 59	Email: Eutech@chauvetlighting.com Website: www.chauvetlighting.eu
Chauvet Germany	
Address: Bruno-Bürgel-Str. 11 28759 Bremen Germany Voice: +49 421 62 60 20	Email: Eutech@chauvetlighting.com Website: www.chauvetlighting.eu
Chauvet Mexico	
Address: Av. de las Partidas 34-3B (Entrance by Calle 2) Zona Industrial Lerma Lerma, Mexico C.P. 52000 Voice: +52 (728) 690-2010	Email: servicio@iluminarc.com.mx Website: www.chauvet.com.mx
<p>Outside the U.S., U.K., Ireland, Benelux, France, Germany, or Mexico, contact the dealer of record. Follow the instructions to request support or to return a product. Visit our website for contact details</p>	

Technical Specifications

Dimensions and Weight	Length	Width	Height	Weight
	11.19 in (284 mm)	13.95 in (354 mm)	16.45 in (418 mm)	21.8 lb (9.9 kg)
Note: Dimensions in inches rounded to the nearest decimal digit.				
Electrical	Power Supply Type	Range	Voltage Selection	
	Switching (internal)	100–277 VAC, 50/60 Hz	Auto-ranging	
	Parameter	120 V, 60 Hz	230 V, 50 Hz	
	Consumption	110 W (0.92 A)	105 W (0.49 A)	
	Power I/O	Input	Output	
	Connectors	Hard-wired	N/A	
Light Source	Cord plug	Bare-wired	N/A	
	Type	Power	Lifespan	
	LED	3 W	50,000 hours	
	Color	Quantity	Current	
	Red	15	930 mA	
	Green	15	930 mA	
	Blue	15	930 mA	
Photometrics	White	9	930 mA	
	Parameter	Standard 30° Optics		
	Illuminance @ 5 m	1,038 lux		
	Beam angle	21°		
Thermal	Field angle	40°		
	Max. External Temperature	Cooling System		
	113 °F (45 °C)	Convection		
DMX	I/O Connectors		Channel Range	
	Bare-ended		1, 3, 4, 7 or 8	
Ordering	Product	Item Code	Item UPC	
	Illumipod 54g2 IP	01630930	781462212780	



UL 1573
CSA C22.2 No. 166
E113093



