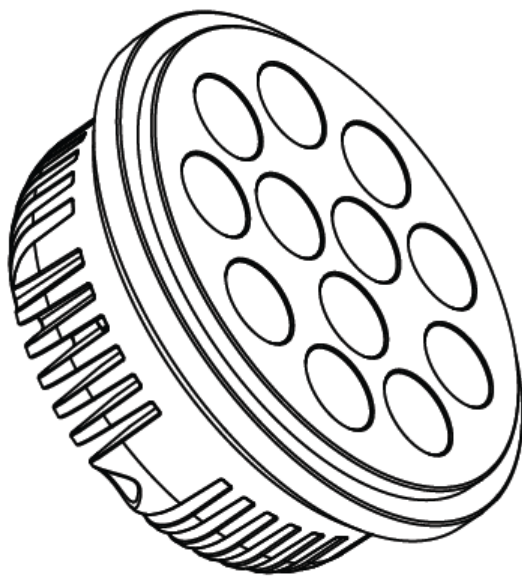


# **Ilumipod L $\Omega$ gic™ 12**

## **Optic RGB**

### **Quick Reference Guide**



**ILUMINARC®**

**What Is Included**

- One Ilumipod LQgic™ 12 Optic RGB
- One RJ45 Cable Splitter
- One Mounting Template
- One Warranty Card
- One Quick Reference Guide

**About This Guide**

The Ilumipod LQgic™ 12 Optic RGB Quick Reference Guide (QRG) contains the product’s features, options, input power, mounting information, wiring, connectivity, and dimensions.

Refer to the applicable LQgic™ Controller User Manual from the ILUMINARC® website ([www.iluminarc.com](http://www.iluminarc.com)) to learn about the disclaimers, safety notes, programming modes, and detailed technical information and instructions.

**Product at a Glance**

Use on Dimmer	⊘	Auto Programs	⊘
Outdoor Use	⊘	Auto-ranging power supply	⊘
Sound Activated	⊘	Replaceable Fuse	⊘
DMX	⊘	User Serviceable	⊘
Master/Slave	⊘	Duty Cycle	⊘

**Features**

- RGB LED wash light product
- High power 1 W (350 mA) LEDs
- Cast aluminum (AR1-11 size) housing (silver)
- Belden 1585A plenum rated data/power cable (79 in/2 m) with RJ45 connector
- Low power consumption
- IP20 ingress protection
- Compatible with LQgic™ controllers
- Lightweight and durable construction
- Plenum-rated cable

**Options**

- White painted trim ring Order Number: 77777001

**Controllers**

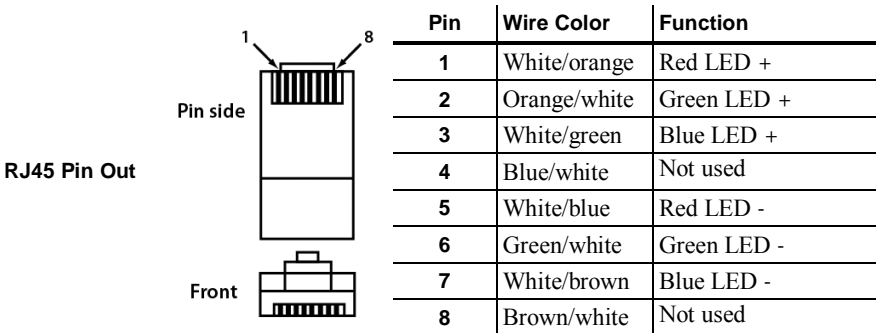
Please refer to the applicable User Manual to learn more about the LQgic™ controllers’ currently available. The User Manuals can be downloaded from the ILUMINARC® website ([www.iluminarc.com](http://www.iluminarc.com)).

- LQgic™ 1x36
- LQgic™ 4x36
- LQgic™ 16x36

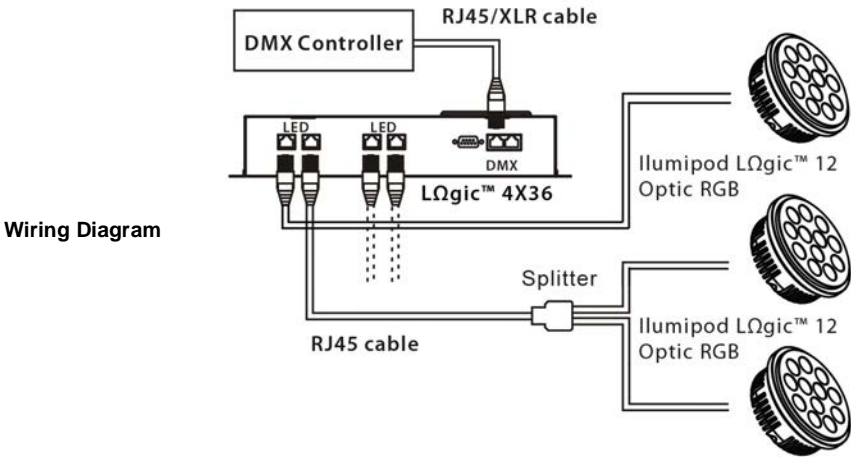
**Input Power** The input power for this product is provided by a LΩgic™ Controller (1,050 mA @ 48 V).

**Mounting** To flush mount this product, cut a circular hole in the panel using the provided template. You can use the optional trim ring to lock the product in place.

**Wiring** This product comes with a 79 in (2 m) long CAT 5 cable, terminated with an RJ45 plug to connect to a LΩgic™ Controller. If using the included splitter or if making an extension of the product's cable, you must use plenum-grade CAT 5/6 wire. The RJ45 connector pin out is shown below.

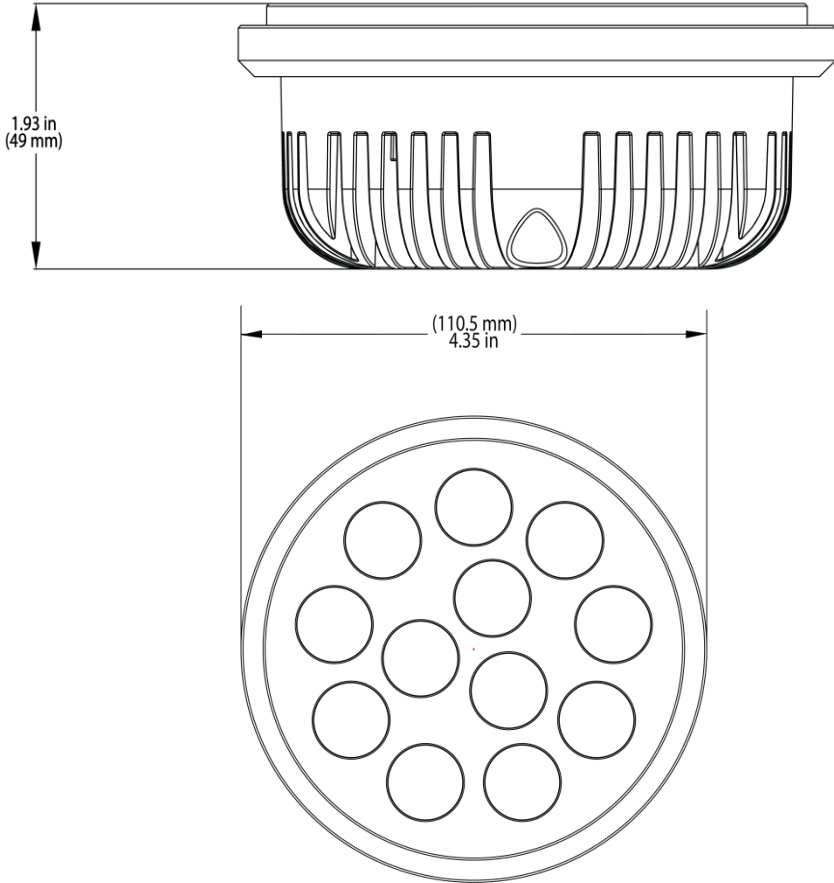


**Connectivity** The figure below shows a possible connection layout using this product and a LΩgic™ 4X36 Controller. Refer to the applicable LΩgic™ Controller User Manual regarding wiring layouts and limitations.



**All cables must be terminated to a product. Do not use the splitter as a coupler.**

## Dimensions



## Contact Us

ILUMINARC®  
5200 NW 108th Avenue  
Sunrise, FL 33351  
Voice: (954) 923-3680  
Fax: (954) 929-5560  
(ATTN: ILUMINARC®)  
[www.iluminarc.com](http://www.iluminarc.com)

**Illumipod LQgic™ 12 Optic RGB QRG – Rev. 5**  
© Copyright 2012 ILUMINARC®  
All rights reserved.  
Printed in the P. R. C.

