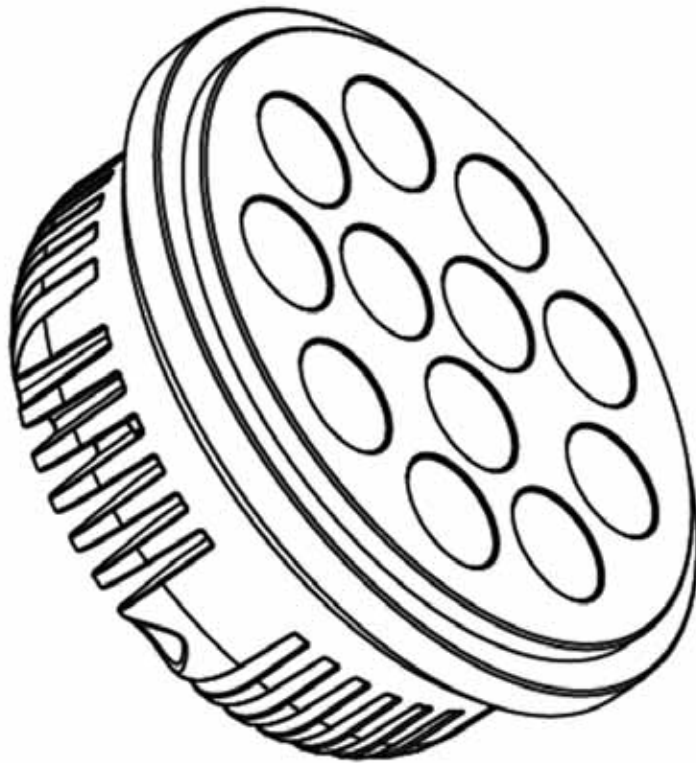


Illumipod LLogic™ 12 Optic RGB

Quick Reference Guide



What Is Included
 One Illumipod LΩgic™ 12 Optic RGB
 One RJ45 Cable Splitter
 One Mounting Template
 One Warranty Card
 One Quick Reference Guide

About This Guide
 The Illumipod LΩgic™ 12 Optic RGB Quick Reference Guide (QRG) contains the product's features, options, input power, mounting information, wiring, connectivity, and dimensions.
 Refer to the applicable LΩgic™ Controller User Manual from the ILUMINARC® web site (www.iluminarc.com) to learn about the disclaimers, safety notes, programming modes, and detailed technical information and instructions.

Product at a Glance	Use on Dimmer	⊘	Auto Programs	⊘
	Outdoor Use	⊘	Auto-ranging power supply	⊘
Sound Activated	⊘	Replaceable Fuse	⊘	
DMX	⊘	User Serviceable	⊘	
Master/Slave	⊘	Duty Cycle	⊘	

- Features**
- RGB LED wash light product
 - High power 1 W (350 mA) LEDs
 - Cast aluminum (AR1-11 size) housing (silver)
 - Belden 1585A plenum rated data/power cable (79 in / 2 m) with RJ45 connector
 - Low power consumption
 - IP20 ingress protection
 - Compatible with LΩgic™ controllers
 - Lightweight and durable construction
 - Plenum rated cable

Options White painted trim ring Order Number: 77777001

Controllers Please refer to the applicable User Manual to learn more about the LΩgic™ controllers' currently available. The User Manuals can be downloaded from the ILUMINARC® web site (www.iluminarc.com).

- LΩgic™ 1x36
- LΩgic™ 4x36
- LΩgic™ 16x36

Input Power The input power for this product is provided by a LΩgic™ Controller (1,050 mA @ 48 V).

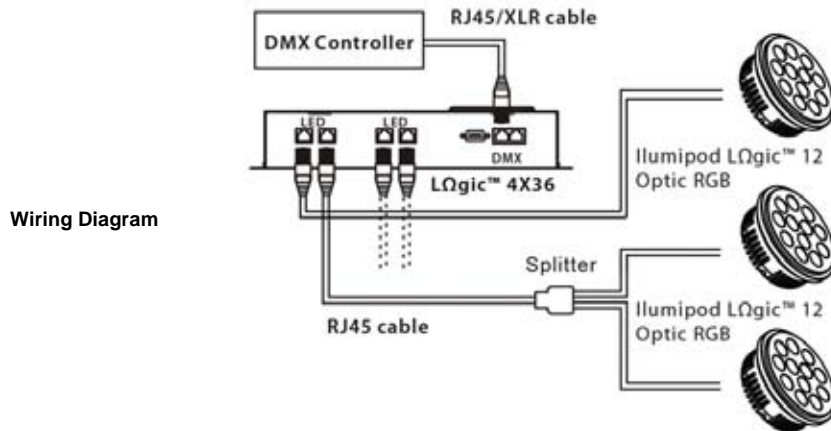
Mounting To flush mount this product, cut a circular hole in the panel using the provided template. You can use the optional trim ring to lock the product in place.

Wiring This product comes with a 79 in (2 m) long CAT 5 cable, terminated with an RJ45 plug to connect to a LΩgic™ Controller. If using the included splitter or if making an extension of the product's cable, you must use plenum grade CAT 5/6 wire. The RJ45 connector pin out is shown below.

Pin	Wire Color	Function
1	White/orange	Warm LED +
2	Orange/white	Cool LED +
3	White/green	Warm LED +
4	Blue/white	Not used
5	White/blue	Warm LED -
6	Green/white	Cool LED -
7	White/brown	Warm LED -
8	Brown/white	Not used

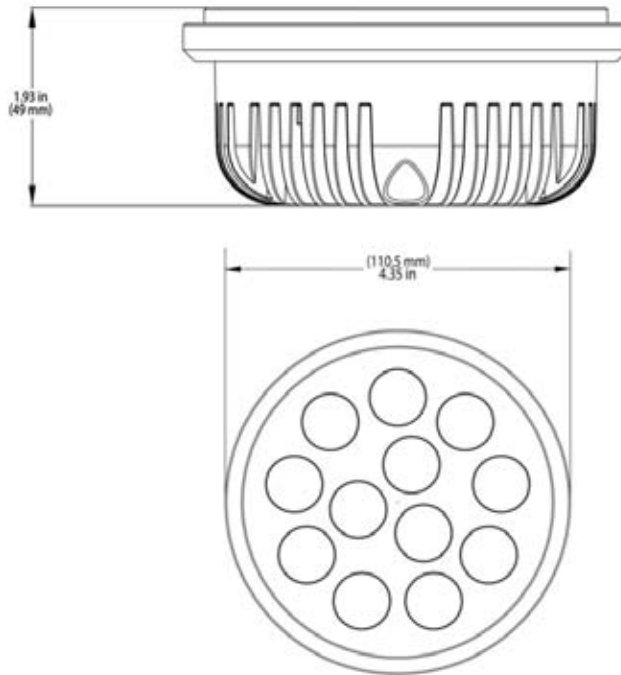
RJ45 Pin Out

Connectivity The figure below shows a possible connection layout using this product and a LΩgic™ 4X36 Controller. Refer to the applicable LΩgic™ Controller User Manual regarding wiring layouts and limitations.



All cables must be terminated to a product. Do not use the splitter as a coupler.

Dimensions



Contact Us

General Information

ILUMINARC®
 5200 NW 108th Avenue
 Sunrise, FL 33351
 Voice: (954) 923-3680
 Fax: (954) 929-5560
 (ATTN: ILUMINARC®)

World Wide Web

www.iluminarc.com