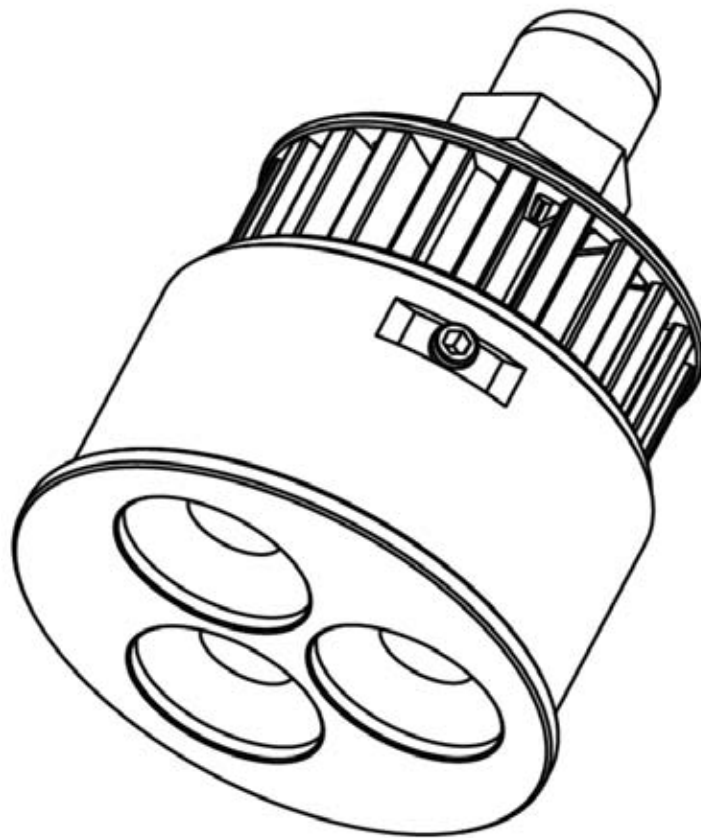


Illumipod Logic™ 3 Optic RGB

Quick Reference Guide



- What Is Included**
- One Illumipod LLogic™ 3 Optic RGB
 - One CAT5 Splitter
 - One Warranty Card
 - One Mounting Template
 - One Quick Reference Guide

About This Guide The Illumipod LLogic™ 3 Optic RGB Quick Reference Guide (QRG) contains the product’s features, options, input power, mounting information, wiring, connectivity, and dimensions.

Refer to the applicable LLogic™ Controller User Manual from the ILUMINARC® web site (www.iluminarc.com) to learn about the disclaimers, safety notes, programming modes, and detailed technical information and instructions.

Product at a Glance

Use on Dimmer	⊘	Auto Programs	⊘
Outdoor Use	⊘	Auto-ranging power supply	⊘
Sound Activated	⊘	Replaceable Fuse	⊘
DMX	⊘	User Serviceable	⊘
Master/Slave	⊘	Duty Cycle	⊘

- Features**
- RGB LED wash light product
 - Compatible with LLogic™ controllers
 - High power 1 W (350 mA) LEDs
 - RGB color mixing (with LLogic™ Controller)
 - Extruded aluminum housing (silver)
 - Belden 1585A plenum rated data/power cable (79 in / 2 m) with RJ45 connector
 - Direct MR16 replacement
 - Low power consumption
 - IP20 ingress protection
 - Lightweight and durable construction
 - Plenum rated cable

- Options**
- Brushed aluminum trim ring Order Number: 66666001
 - White painted trim ring Order Number: 66666002

Controllers Please refer to the applicable User Manual to learn more about the LLogic™ controllers’ currently available. The User Manuals can be downloaded from the ILUMINARC® web site (www.iluminarc.com).

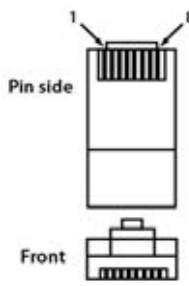
- LLogic™ 1x36
- LLogic™ 4x36
- LLogic™ 16x36

Input Power The input power for this product is provided by a LLogic™ Controller (1,050 mA @ 48 V).

Mounting To mount this product, cut a circular hole in the panel using the provided template. You can use the optional trim ring to lock the product in place.

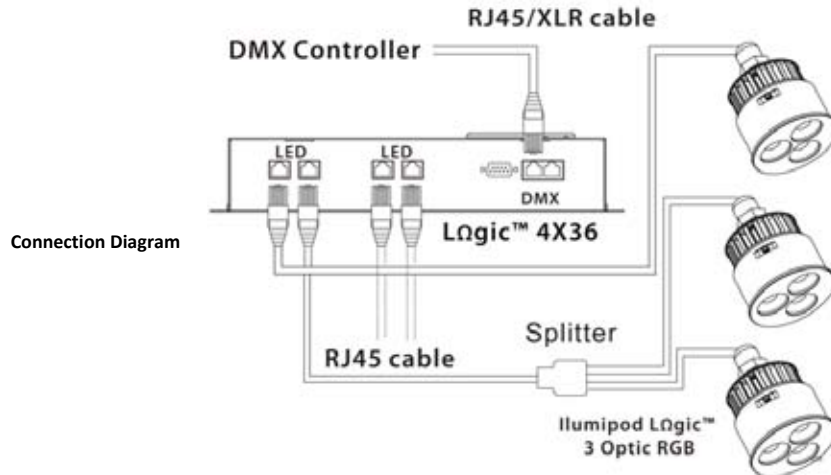
Wiring This product comes with a 79 in (2 m) long CAT 5 cable, terminated with an RJ45 plug to connect to a LLogic™ Controller. If using the included splitter or if making an extension of the product’s cable, you must use plenum grade CAT 5/6 wire. The RJ45 connector pin out is shown below.

RJ45 Pin Out



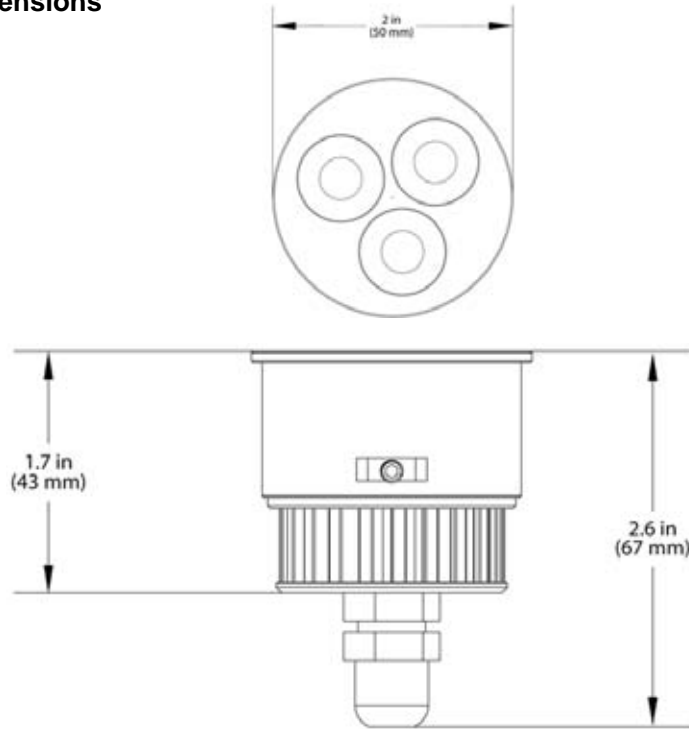
Pin	Wire Color	Function
1	White/orange	Warm LED +
2	Orange/white	Cool LED +
3	White/green	Warm LED +
4	Blue/white	Not used
5	White/blue	Warm LED -
6	Green/white	Cool LED -
7	White/brown	Warm LED -
8	Brown/white	Not used

Connectivity The figure below shows a possible connection layout using this product and a LLogic™ 4X36 Controller. Refer to the applicable LLogic™ Controller User Manual regarding wiring layouts and limitations.



All cables must be terminated to a product. Do not use the splitter as a coupler.

Dimensions



Contact Us

General Information

ILUMINARC®
 5200 NW 108th Avenue
 Sunrise, FL 33351
 Voice: (954) 923-3680
 Fax: (954) 929-5560
 (ATTN: ILUMINARC®)

World Wide Web

www.iluminarc.com

