

Ilumipod LΩgic 6 Optic RGB

Quick Reference Guide



What Is Included

- One Ilumipod LΩgic 6 Optic RGB
- One CAT5 Splitter
- One Mounting Template
- One Warranty Card
- One Quick Reference Guide

About This Guide

The LΩgic 6 Optic RGB Quick Reference Guide (QRG) contains the product's features, options, input power, mounting information, wiring, connectivity, and dimensions.

Refer to the applicable LΩgic Controller User Manual from the ILUMINARC website (www.iluminarc.com) to learn about the disclaimers, safety notes, programming modes, and detailed technical information and instructions.

Features

- RGB LED wash light product
- High power 1 W (350 mA) LEDs
- Cast aluminum housing (silver)
- Direct replacement for MR16
- Belden 1585A plenum-rated data/power cable (79 in/2 m) with RJ45 connector
- Low power consumption
- IP20 ingress protection
- Compatible with LΩgic controllers
- Lightweight and durable construction
- Plenum-rated cable

Options

- Brushed aluminum trim ring Order Number: 66666001
- White painted trim ring Order Number: 66666002

Controllers

Please refer to the applicable User Manual to learn more about the LΩgic controllers' currently available. The User Manuals can be downloaded from the ILUMINARC website (www.iluminarc.com).

- LΩgic 1x36
- LΩgic 4x36
- LΩgic 16x36

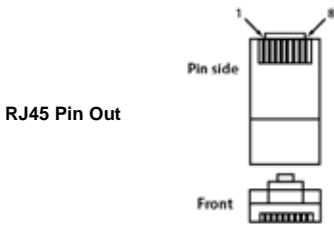
Input Power

The input power for this product is provided by a LΩgic Controller (1,050 mA @ 48 V).

Mounting

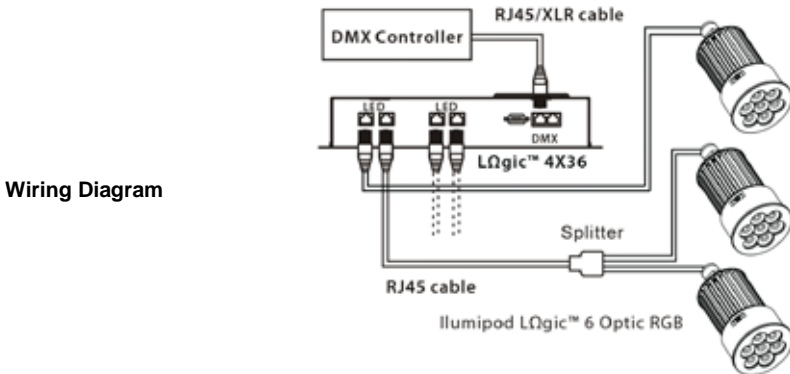
To flush mount this product, cut a circular hole in the panel using the provided template. You can use the optional trim ring to lock the product in place.

Wiring This product comes with a 79 in (2 m) long CAT 5 cable, terminated with an RJ45 plug to connect to a LΩgic Controller. If using the included splitter or if making an extension of the product’s cable, you must use plenum-grade CAT 5/6 wire. The RJ45 connector pin out is shown below.



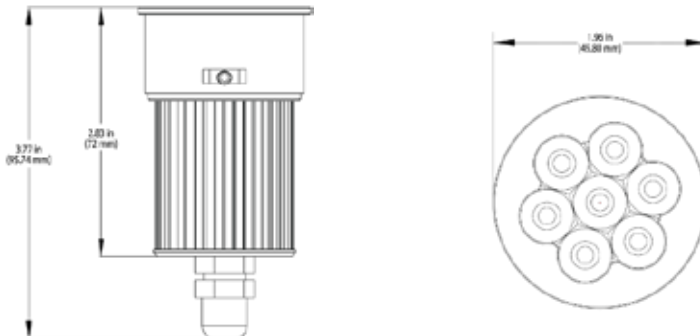
Pin	Wire Color	Function
1	White/orange	Red LED +
2	Orange/white	Green LED +
3	White/green	Blue LED +
4	Blue/white	Not used
5	White/blue	Red LED -
6	Green/white	Green LED -
7	White/brown	Blue LED -
8	Brown/white	Not used

Connectivity The figure below shows a possible connection layout using this product and a LΩgic 4X36 Controller. Refer to the applicable LΩgic Controller User Manual regarding wiring layouts and limitations.



All cables must be terminated to a product. Do not use the splitter as a coupler.

Dimensions



Contact Us

General Information	Technical Support
Chauvet World Headquarters	
Address: 5200 NW 108th Avenue Sunrise, FL 33351 Voice: (954) 577-4455 Toll free: (800) 762-1084	Voice: (844) 393-7575 Email: support@iluminarc.com Website: www.iluminarc.com
Chauvet Europe Ltd	
Address: Unit 1C Brookhill Road Industrial Estate Pinxton, Nottingham, UK NG16 6NT Voice: +44 (0)1773 511115	Email: uktech@chauvetlighting.com Website: www.chauvetlighting.co.uk
Chauvet Europe BVBA	
Address: Stokstraat 18 9770 Kruishoutem Belgium Voice: +32 9 388 93 97	Email: Eutech@chauvetlighting.com Website: www.chauvetlighting.eu
Chauvet France	
Address: 3, Rue Ampère 91380 Chilly-Mazarin France Voice: +33 1 78 85 33 59	Email: Eutech@chauvetlighting.com Website: www.chauvetlighting.eu
Chauvet Germany	
Address: Bruno-Bürgel-Str. 11 28759 Bremen Germany Voice: +49 421 62 60 20	Email: Eutech@chauvetlighting.com Website: www.chauvetlighting.eu
Chauvet Mexico	
Address: Av. de las Partidas 34-3B (Entrance by Calle 2) Zona Industrial Lerma Lerma, Mexico C.P. 52000 Voice: +52 (728) 690-2010	Email: servicio@iluminarc.com.mx Website: www.chauvet.com.mx

Outside the U.S., U.K., Ireland, Benelux, France, Germany, or Mexico, contact the dealer of record. Follow the instructions to request support or to return a product. Visit our website for contact details

Ilumipod LQgic 6 Optic RGB QRG – Rev. 6

© Copyright 2018 ILUMINARC

All rights reserved.

Printed in the P. R. C.

