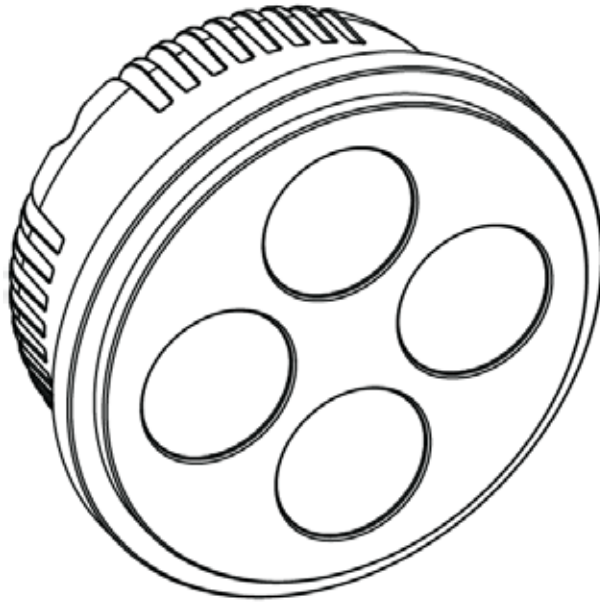


# **Illumipod LLogic Tri-4 Optic RGB**

## **Quick Reference Guide**



**ILUMINARC®**

**What Is Included**

- One Ilumipod LΩgic Tri-4 Optic RGB
- One CAT5 Splitter
- One Mounting Template
- One Warranty Card
- One Quick Reference Guide

**About This Guide**

The Ilumipod LΩgic Tri-4 Optic RGB Quick Reference Guide (QRG) contains the product's features, options, input power, mounting information, wiring, connectivity, and dimensions.

Refer to the applicable LΩgic Controller User Manual from the ILUMINARC website ([www.iluminarc.com](http://www.iluminarc.com)) to learn about the disclaimers, safety notes, programming modes, and detailed technical information and instructions.

**Features**

- RGB LED wash light product
- Compatible with LΩgic controllers
- High power 3 W (1,050 mA) LEDs
- RGB color mixing (with LΩgic Controller)
- Extruded aluminum housing (silver)
- Belden 1585A plenum-rated data/power cable (79 in/2 m) with RJ45 connector
- Low power consumption
- IP20 ingress protection
- Lightweight and durable construction
- Plenum-rated cable

**Options**

- White painted trim ring                      Order Number: 77777001

**Controllers**

Please refer to the applicable User Manual to learn more about the LΩgic controllers' currently available. The User Manuals can be downloaded from the ILUMINARC website ([www.iluminarc.com](http://www.iluminarc.com)).

- LΩgic 1x36
- LΩgic 4x36
- LΩgic 16x36

**Input Power**

The input power for this product is provided by a LΩgic Controller (1,050 mA @ 48 V).

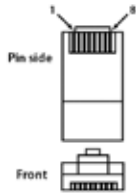
**Mounting**

To mount this product, cut a circular hole in the panel using the provided template. You can use the optional trim ring to lock the product in place.

## Wiring

This product comes with a 79 in (2 m) long CAT 5 cable, terminated with an RJ45 plug to connect to a LΩgic Controller. If using the included splitter or if making an extension of the product's cable, you must use plenum-grade CAT 5/6 wire. The RJ45 connector pin out is shown below.

RJ45 Pin Out

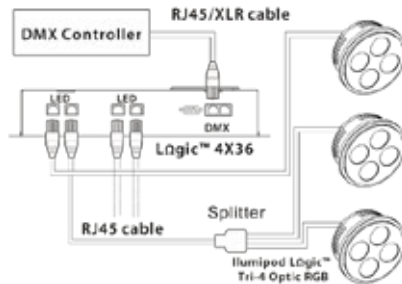


Pin	Wire Color	Function
1	White/orange	Red LED +
2	Orange/white	Green LED +
3	White/green	Blue LED +
4	Blue/white	Not used
5	White/blue	Red LED -
6	Green/white	Green LED -
7	White/brown	Blue LED -
8	Brown/white	Not used

## Connectivity

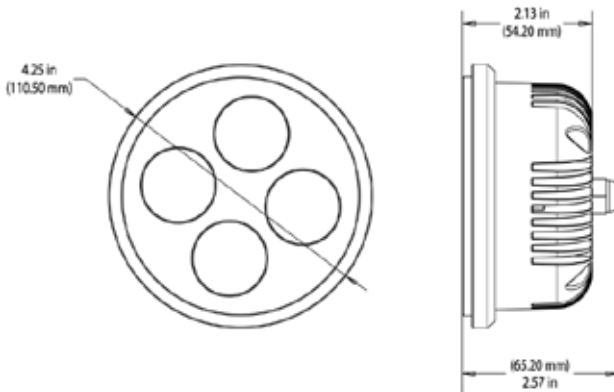
The figure below shows a possible connection layout using this product and a LΩgic 4X36 Controller. Refer to the applicable LΩgic Controller User Manual regarding wiring layouts and limitations.

Connection Diagram



**All cables must be terminated to a product. Do not use the splitter as a coupler.**

## Dimensions



## Contact Us

General Information	Technical Support
<b>Chauvet World Headquarters</b>	
Address: 5200 NW 108th Avenue Sunrise, FL 33351 Voice: (954) 577-4455 Toll free: (800) 762-1084	Voice: (844) 393-7575 Email: <a href="mailto:support@iluminarc.com">support@iluminarc.com</a>  Website: <a href="http://www.iluminarc.com">www.iluminarc.com</a>
<b>Chauvet Europe Ltd</b>	
Address: Unit 1C Brookhill Road Industrial Estate Pinxton, Nottingham, UK NG16 6NT Voice: +44 (0)1773 511115	Email: <a href="mailto:uktech@chauvetlighting.com">uktech@chauvetlighting.com</a>  Website: <a href="http://www.chauvetlighting.co.uk">www.chauvetlighting.co.uk</a>
<b>Chauvet Europe BVBA</b>	
Address: Stokstraat 18 9770 Kruishoutem Belgium Voice: +32 9 388 93 97	Email: <a href="mailto:Eutech@chauvetlighting.com">Eutech@chauvetlighting.com</a>  Website: <a href="http://www.chauvetlighting.eu">www.chauvetlighting.eu</a>
<b>Chauvet France</b>	
Address: 3, Rue Ampère 91380 Chilly-Mazarin France Voice: +33 1 78 85 33 59	Email: <a href="mailto:Eutech@chauvetlighting.com">Eutech@chauvetlighting.com</a>  Website: <a href="http://www.chauvetlighting.eu">www.chauvetlighting.eu</a>
<b>Chauvet Germany</b>	
Address: Bruno-Bürgel-Str. 11 28759 Bremen Germany Voice: +49 421 62 60 20	Email: <a href="mailto:Eutech@chauvetlighting.com">Eutech@chauvetlighting.com</a>  Website: <a href="http://www.chauvetlighting.eu">www.chauvetlighting.eu</a>
<b>Chauvet Mexico</b>	
Address: Av. de las Partidas 34-3B (Entrance by Calle 2) Zona Industrial Lerma Lerma, Mexico C.P. 52000 Voice: +52 (728) 690-2010	Email: <a href="mailto:servicio@iluminarc.com.mx">servicio@iluminarc.com.mx</a>  Website: <a href="http://www.chauvet.com.mx">www.chauvet.com.mx</a>

Outside the U.S., U.K., Ireland, Benelux, France, Germany, or Mexico, contact the dealer of record. Follow the instructions to request support or to return a product. Visit our website for contact details

Ilumipod Logic Tri-4 Optic RGB - QRG – Rev. 10

© Copyright 2018 ILUMINARC

All rights reserved.

Printed in the P. R. C.



CONFORMS TO  
UL STD. 1573

CERTIFIED TO  
CSA STD. C22.2  
No. 166