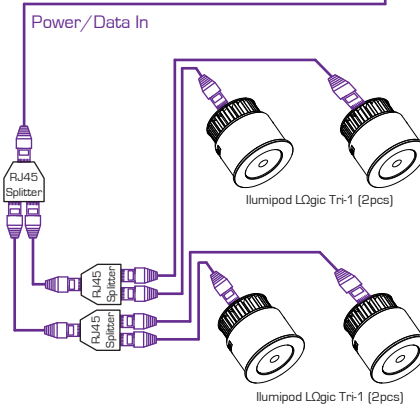


Installation Notes:

- Max. drivers for 1 DMX Network: 32
- Install using plenum-grade CAT5/6 for power/data runs.
- Max. length of any power/data cable is 164' total length.
- Max. length between DMX source and the driver is 1000' total length.
- All power/data cables must be terminated at a fixture, not a splitter.
- For more information on DMX use and installation, please visit:
www.iluminarc.com/reports/dmx-primer
- Connect any combination of LQgic Series fixtures totalling up to 36 LEDs per output from the LQgic Series Driver (Tri-color LEDs count as 3 LEDs per lens).

Key:

— Power — DMX — Power/DataTemp. DMX



ILUMINARC®

Typical Installation: LQgic 1x36

www.iluminarc.com

For Illustrative Purposes Only - **NOT TO SCALE**

V2.0